

PART NAME

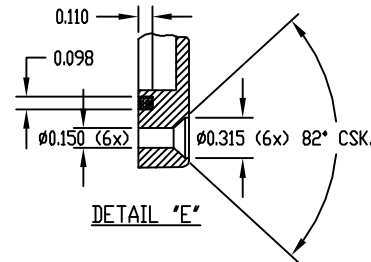
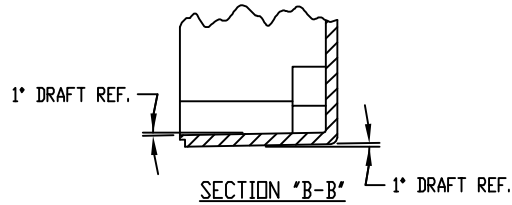
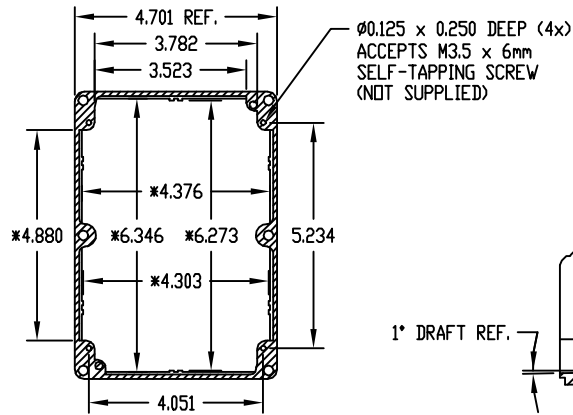
NEMA 4X DIE CAST ALUMINUM ENCLOSURE

PART No.

AN-1306, AN-1306-G, AN-2806 & AN-2806-B

REV. DATE

9-8-10

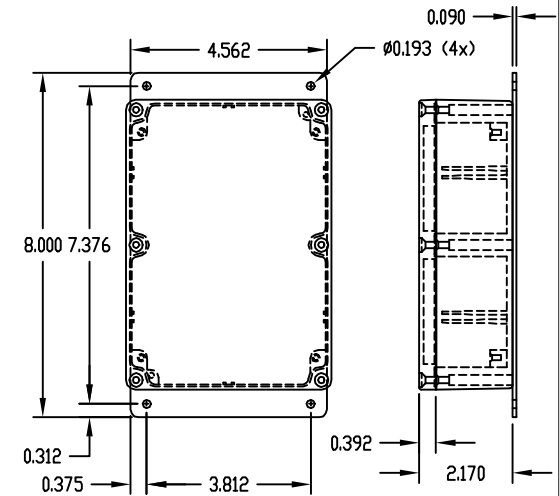
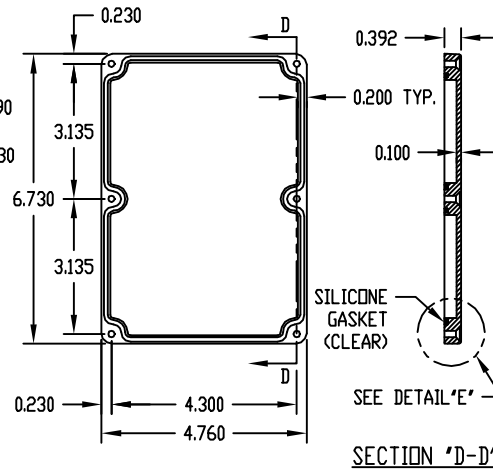
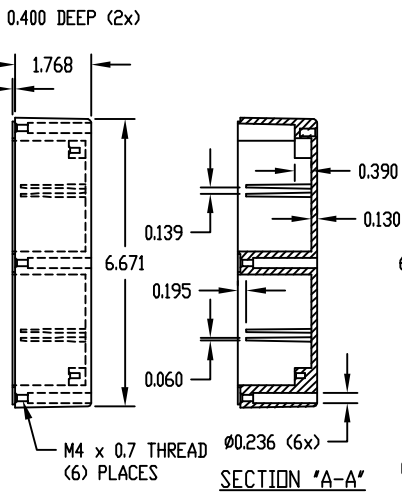
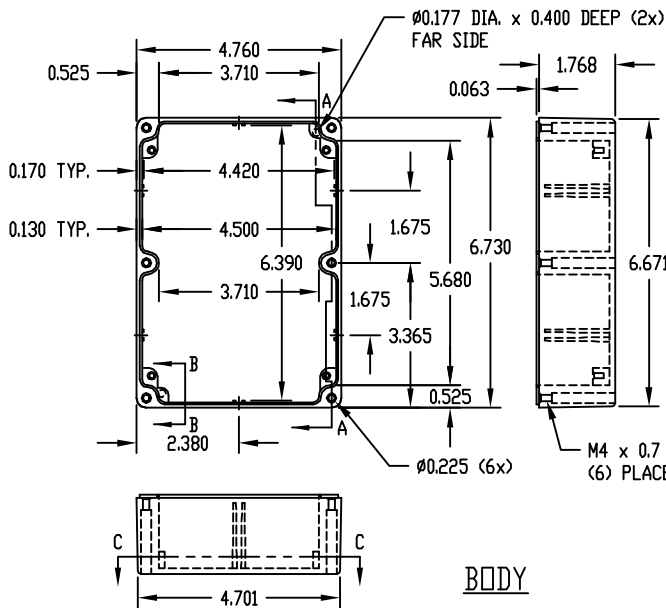


MATERIAL: ALUMINUM ALLOY #ADC-12

FINISH: NATURAL (NO SUFFIX)
 GRAY (SUFFIX -G)
 SMOOTH BLACK (SUFFIX -B)

NOTES:

- 1) SIX (6) M4 x 20mm (0.787") LG. SCREWS SUPPLIED FOR ASSEMBLY OF COVER TO BODY.
- 2) ALL HOLE DIAMETERS HAVE ± 0.005 TOLERANCE. ALL OTHER DIMENSIONS HAVE ± 0.015 TOLERANCE.



PART NO. AN-2806 & AN-2806-B ARE SUPPLIED WITH A WELDED ON MOUNTING BRACKET ONLY.

AMEYA360

Components Supply Platform

Authorized Distribution Brand :



Website :

Welcome to visit www.ameya360.com

Contact Us :

➤ Address :

401 Building No.5, JiuGe Business Center, Lane 2301, Yishan Rd
Minhang District, Shanghai , China

➤ Sales :

Direct +86 (21) 6401-6692

Email amall@ameya360.com

QQ 800077892

Skype [ameyasales1](#) [ameyasales2](#)

➤ Customer Service :

Email service@ameya360.com

➤ Partnership :

Tel +86 (21) 64016692-8333

Email mkt@ameya360.com