

SPF SERIES 1000 VDC SOLAR FUSE



Description

The SPF Solar Protection Fuse series was specifically designed for photovoltaic (PV) systems. This family of Midget style fuses (10 x 38mm) can safely protect PV modules and conductors from reverse overcurrent conditions despite the associated challenges of DC power.

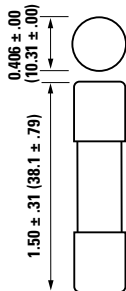
As PV systems have grown in size, so have the corresponding voltage requirements. This increase in system voltage has typically been intended to minimize power loss associated with long conductor runs. Standard midget designs are not optimized for Solar Protection requirements. However, the SPF series is UL Recognized to safely interrupt circuits up to this demanding voltage level.

Littelfuse offers thirteen ampere ratings to match designers' specific requirements in applications including combiner boxes, inverters and battery charge controllers.

Recommended Fuseholder

LPHV pg. 6

Dimensions in inches (mm)



Product Features

- UL Recognized 1000 Vdc maximum
- 13 ampere ratings for flexible design
- 20,000 A interrupting rating
- High performance in compact 10x38 mm midget size
- Touch safe DIN rail holder available
- PCB leaded version available

Specifications

Voltage Rating:	1000 Vdc
Amperage Ratings:	1, 2, 3, 4, 5, 6, 8, 10, 12, 15, 20, 25, 30
Max. Interrupt Rating:	20,000 A; Time Constant less than 2ms
Min. Interrupt Rating:	1–12 amperes, 2x Current Rating 15–30 amperes, 1.35x Current Rating
Approvals:	UL Recognized (File No. E71611) CSA Certified (File No. 29862)
Environmental:	RoHS Compliant Lead (Pb) Free

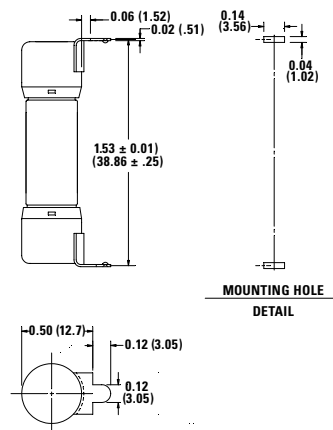
Ordering Example

CATALOG NUMBER	SYSTEM NUMBER	AMPERAGE
SPF002	SPF002.T	2
SPF008	SPF008.T	8
SPF030	SPF030.T	30
SPF030R	SPF030.HXR	30 (with PCB tabs)

Web Resources

Downloadable CAD drawings and other technical information:
www.littelfuse.com/Series/SPF.html

Dimensions in inches - PCB Version (mm)



AMEYA360

Components Supply Platform

Authorized Distribution Brand :



Website :

Welcome to visit www.ameya360.com

Contact Us :

➤ Address :

401 Building No.5, JiuGe Business Center, Lane 2301, Yishan Rd
Minhang District, Shanghai , China

➤ Sales :

Direct +86 (21) 6401-6692

Email amall@ameya360.com

QQ 800077892

Skype [ameyasales1](#) [ameyasales2](#)

➤ Customer Service :

Email service@ameya360.com

➤ Partnership :

Tel +86 (21) 64016692-8333

Email mkt@ameya360.com