

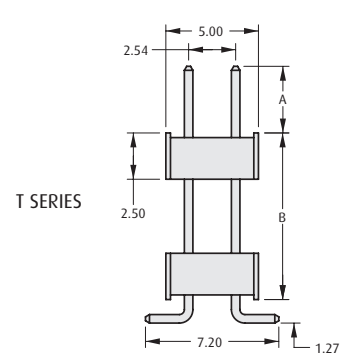
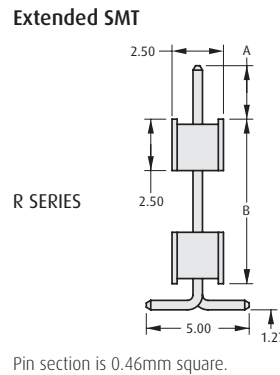
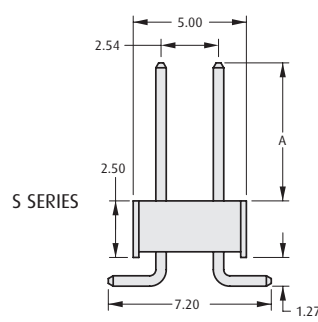
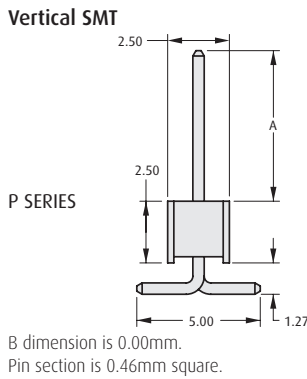
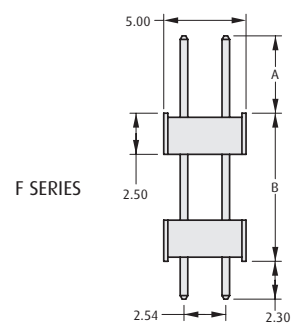
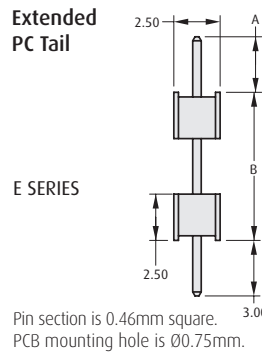
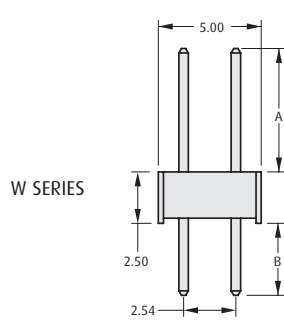
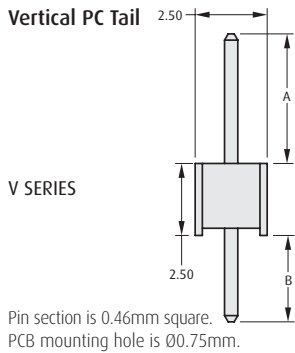
M52 Connectors

Pin Header Variants

- Harwin offers the ultimate flexibility 'Standard Variant Pin Headers'. Use the order code below to create application-specific connectors.
- Contact technical@harwin.com for further information.
- Suitable for use with female connectors on pages 99 to 100.

1.27mm (.050") PITCH

TERMINATION STYLES



HOW TO ORDER

M52 - XXX XXX X XX 45

SERIES CODE

DIMENSION A

Eg. 7.8mm = 078

DIMENSION B

Eg. 5.0mm = 050

FINISH

45

Gold



NO. OF WAYS PER ROW

02 to 40

SINGLE ROW	DOUBLE ROW	
V	W	Vertical
E	F	Extended
P	S	SMT
R	T	Extended SMT

www.harwin.com

All dimensions in mm.



HARWIN

AMEYA360

Components Supply Platform

Authorized Distribution Brand :



Website :

Welcome to visit www.ameya360.com

Contact Us :

➤ Address :

401 Building No.5, JiuGe Business Center, Lane 2301, Yishan Rd
Minhang District, Shanghai , China

➤ Sales :

Direct +86 (21) 6401-6692

Email amall@ameya360.com

QQ 800077892

Skype [ameyasales1](#) [ameyasales2](#)

➤ Customer Service :

Email service@ameya360.com

➤ Partnership :

Tel +86 (21) 64016692-8333

Email mkt@ameya360.com