

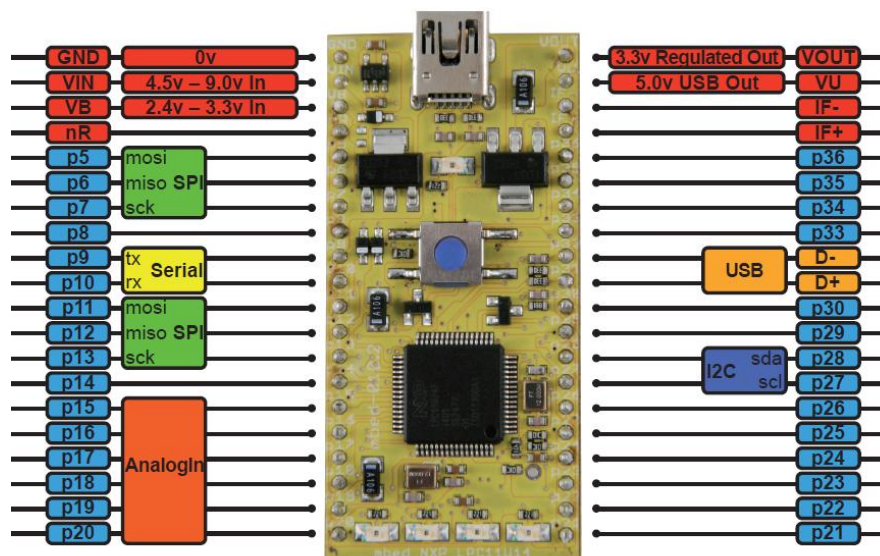
mbed NXP LPC11U24 Microcontroller

Rapid Prototyping for USB devices, battery applications and low-cost 32-bit ARM® Cortex™-M0 based designs

Overview

The mbed Microcontrollers are a series of ARM microcontroller development boards designed for rapid prototyping.

The mbed NXP LPC11U24 Microcontroller in particular is designed for prototyping low cost USB devices, battery powered applications and 32-bit ARM® Cortex™-M0 based designs. It is packaged as a small DIP form-factor for prototyping with through-hole PCBs, stripboard and breadboard, and includes a built-in USB FLASH programmer.



The mbed Microcontrollers are supported with an online tools platform that provides experienced embedded developers with a productive environment for building proof-of-concepts. For developers new to 32-bit, mbed is an accessible way to build projects with the backing of libraries, resources and support shared in the mbed community.

Features

- NXP LPC11U24 MCU
 - Low power ARM® Cortex™-M0 Core
 - 48MHz, 8KB RAM, 32KB FLASH
 - USB Device, 2xSPI, I2C, UART, 6xADC, GPIO
- Prototyping form-factor
 - 40-pin 0.1" pitch DIP package, 54x26mm
 - 5V USB, 4.5-9V supply or 2.4-3.3V battery
 - Built-in USB FLASH programmer
- mbed.org Developer Website
 - Lightweight Online Compiler
 - High level C/C++ SDK
 - Cookbook of published libraries and projects

Tools and Software

The mbed Microcontrollers are all supported by the mbed.org developer website, including a lightweight Online Compiler for instant access to your working environment on Windows, Linux or Mac OS X.

Also included is a C/C++ SDK for productive high-level programming of peripherals. Combined with the wealth of libraries and code examples being published by the mbed community, the platform provides a productive environment for getting things done.

Find out more

For more information about the mbed and how to order mbed Microcontrollers, visit <http://mbed.org>

AMEYA360

Components Supply Platform

Authorized Distribution Brand :



Website :

Welcome to visit www.ameya360.com

Contact Us :

➤ Address :

401 Building No.5, JiuGe Business Center, Lane 2301, Yishan Rd
Minhang District, Shanghai , China

➤ Sales :

Direct +86 (21) 6401-6692

Email amall@ameya360.com

QQ 800077892

Skype [ameyasales1](#) [ameyasales2](#)

➤ Customer Service :

Email service@ameya360.com

➤ Partnership :

Tel +86 (21) 64016692-8333

Email mkt@ameya360.com