

PART NAME

PLASTIBOX (STYLE A)

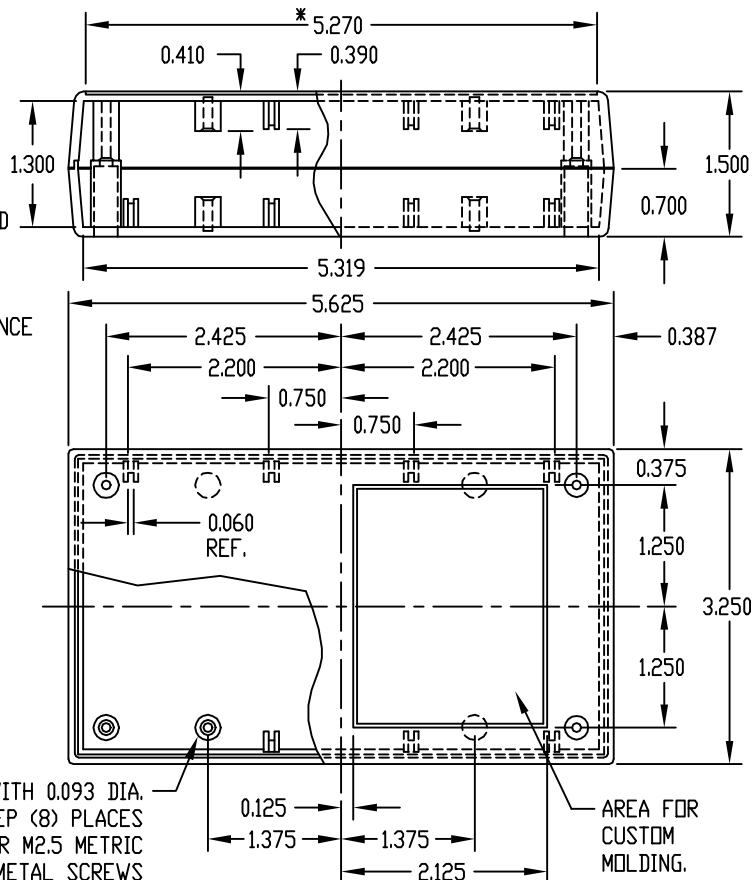
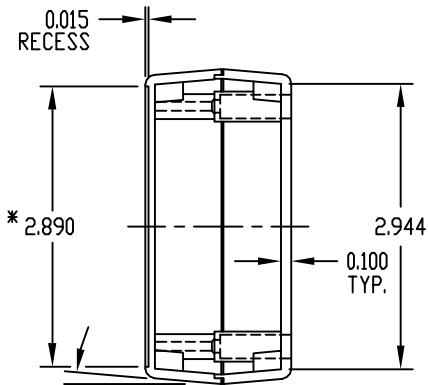
PART No.

PS-11325

MATERIAL: HIGH-IMPACT ABS
 COLOR: BLACK OR GRAY
 FINISH: TEXTURED BODY WITH SMOOTH TOP INSERT
 FOUR (4) #4 x 0.375" LG. SCREWS SUPPLIED FOR ASSEMBLING TOP.
 FOUR (4) NON-SKID PUSH-ON FEET SUPPLIED

*-USABLE AREA ON COVER ALSO AVAILABLE FOR CUSTOM MOLDING.

NOTE: ALL DIMENSIONS HAVE ±0.015 TOLERANCE UNLESS OTHERWISE SPECIFIED.



PART NAME

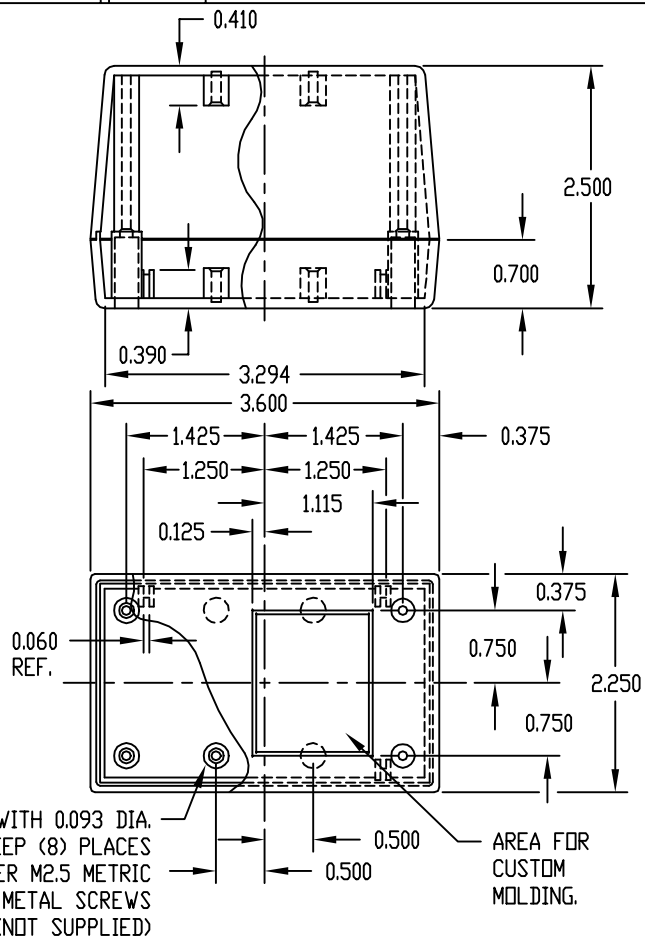
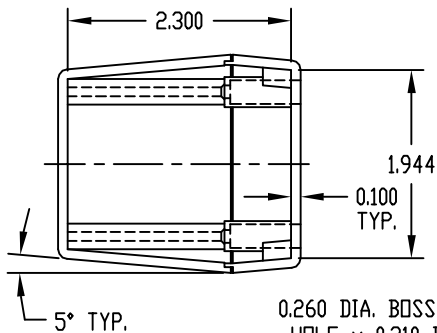
PLASTIBOX (STYLE A)

PART No.

PT-11372

MATERIAL: HIGH-IMPACT ABS
 COLOR: BLACK OR GRAY
 FINISH: TEXTURED BODY WITH TEXTURED TOP
 FOUR (4) #4 x 0.375" LG. SCREWS SUPPLIED FOR ASSEMBLING TOP.
 FOUR (4) NON-SKID PUSH-ON FEET SUPPLIED

NOTE: ALL DIMENSIONS HAVE ±0.015 TOLERANCE UNLESS OTHERWISE SPECIFIED.



AMEYA360

Components Supply Platform

Authorized Distribution Brand :



Website :

Welcome to visit www.ameya360.com

Contact Us :

➤ Address :

401 Building No.5, JiuGe Business Center, Lane 2301, Yishan Rd
Minhang District, Shanghai , China

➤ Sales :

Direct +86 (21) 6401-6692

Email amall@ameya360.com

QQ 800077892

Skype [ameyasales1](#) [ameyasales2](#)

➤ Customer Service :

Email service@ameya360.com

➤ Partnership :

Tel +86 (21) 64016692-8333

Email mkt@ameya360.com