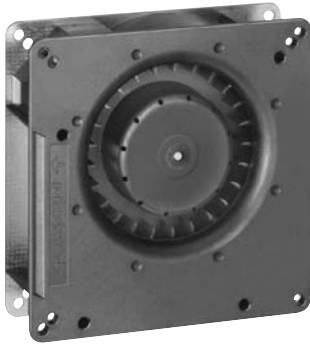


RG90DC Series

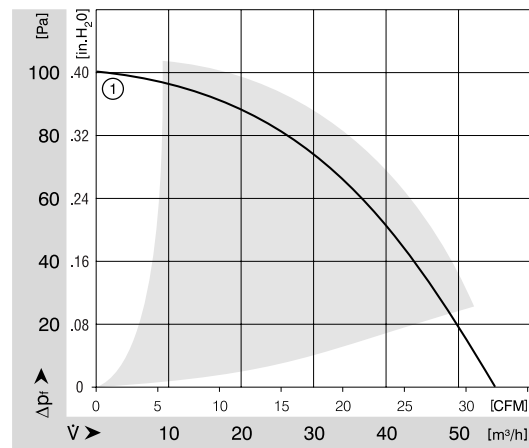
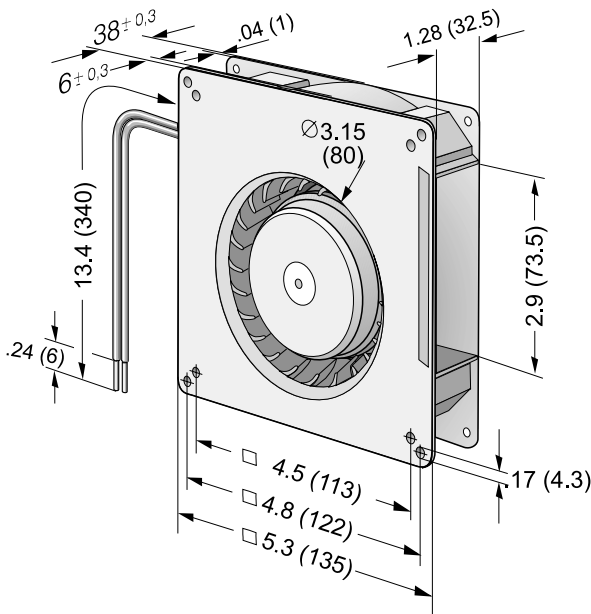
Flatpak

135x135x38mm



- DC radial blower with electronically commutated external rotor motor. Fully integrated commutation electronics.
- With electronic protection against reverse polarity, blocking and overloading by PTC-resistor; partially impedance protected.
- Spiral housing and blower of fiber-glass reinforced plastic. Housing base of galvanised steel plate.
- Radial air exhaust through housing port.
- Electrical connection via 2 leads AWG 22, TR 64. Stripped and tinned ends.
- UL, CSA, VDE approvals on some models, please contact application engineering.

Part Number	Curve	CFM @ 0	VDC	Volt. Range	Power (W)	dBa	Max. Amb. Temp C	Bearing Type	Features	Wgt. (lbs)
RG90-18/12N	1	32.4	12	7 to 15	6.0	55	75	Ball	Leads	0.97
RG90-18/12NG	1	32.4	12	7 to 15	6.0	55	75	Sleeve	Leads	0.97
RG90-18/14N	1	32.4	24	12 to 28	5.5	55	75	Ball	Leads	0.97
RG90-18/14NG	1	32.4	24	12 to 28	5.5	55	75	Sleeve	Leads	0.97
RG90-18/18N	1	32.4	48	36 to 56	5.5	55	75	Ball	Leads	0.97



AMEYA360

Components Supply Platform

Authorized Distribution Brand :



Website :

Welcome to visit www.ameya360.com

Contact Us :

➤ Address :

401 Building No.5, JiuGe Business Center, Lane 2301, Yishan Rd
Minhang District, Shanghai , China

➤ Sales :

Direct +86 (21) 6401-6692

Email amall@ameya360.com

QQ 800077892

Skype [ameyasales1](#) [ameyasales2](#)

➤ Customer Service :

Email service@ameya360.com

➤ Partnership :

Tel +86 (21) 64016692-8333

Email mkt@ameya360.com