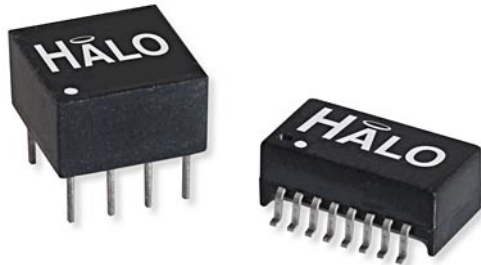


Dual 1:1 CMC Filters

DIL and SMD Packages



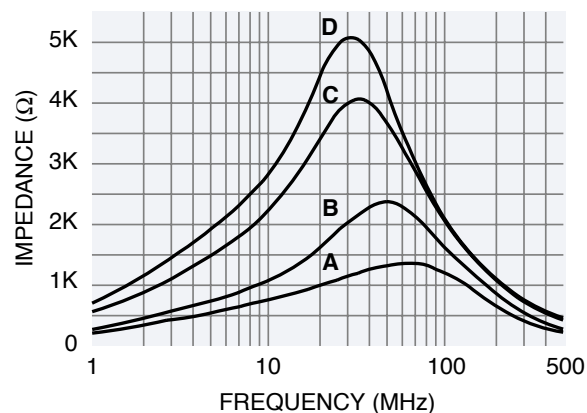
Product Features:

- Standard series of dual CMC filters for Data Communications and Telecom applications.
- These devices should be located on the LIU side of the protection circuitry in Telecom products.
- 500Vrms Hi-Pot
- UL recognized materials

| Part Number | Package | OCL (μH) | Cw/w (pF max) | DCR (Ω max) | Impedance/Freq. Curve (Typ.) | Temp Range |
|---------------|---------|----------|---------------|-------------|------------------------------|---------------|
| LG01-0346N1LF | SMD | 35 Min. | 15 | 0.30 | B | -40 to +85 °C |
| LD01-0166F4LF | DIL | 16 Min. | 15 | 0.25 | A | 0 to +70 °C |
| LD01-0366F4LF | DIL | 36 Min. | 20 | 0.25 | B | 0 to +70 °C |
| LG01-0356N1LF | SMD | 35 Min. | 10 | 0.30 | B | -40 to +85 °C |
| LG01-0856N1LF | SMD | 85 Typ. | 20 | 0.55 | C | -40 to +85 °C |
| LG01-1006N1LF | SMD | 100 Typ. | 25 | 0.65 | D | -40 to +85 °C |

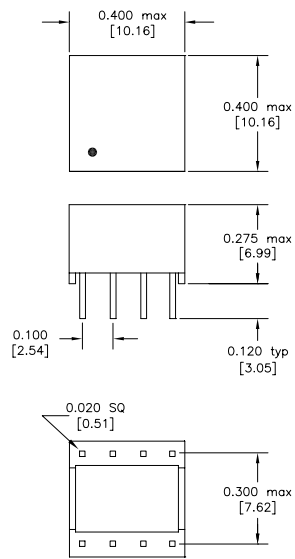
Notes:

1. Not recommended for applications providing remote power feed.
2. LF suffix is RoHS compliant and Pb-Free. RL suffix is RoHS compliant (exemption 7a, expected to expire July 2016)



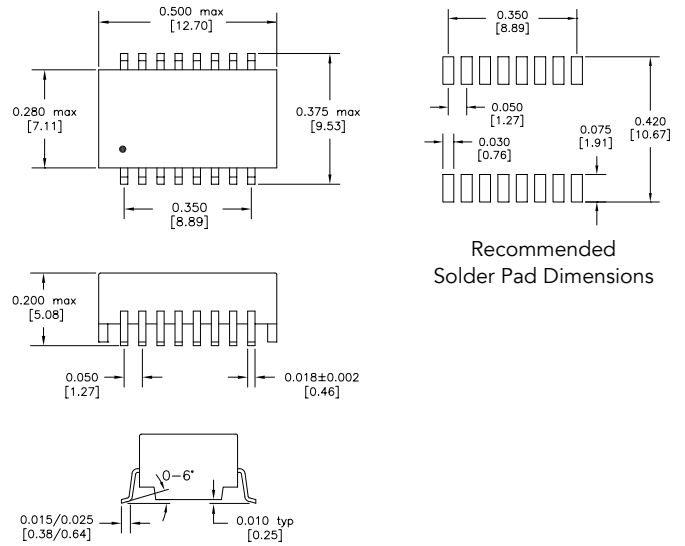
Dual 1:1 CMC Filters

DIL Package (F4)



Dimensions: inches [mm]

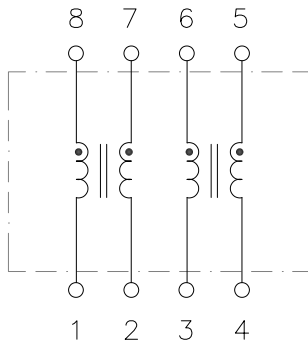
SMD Package (N)



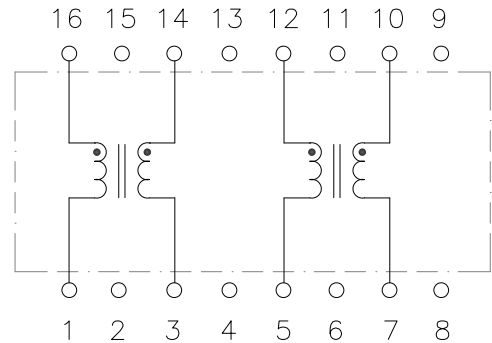
Recommended Solder Pad Dimensions

Dimensions: inches [mm]
Co-Planarity: 0.004 [0.10]

Schematic for DIL Package



Schematic for SMD Package



US Patent Numbers for SMD products
5,656,985 6,297,721 B1
6,297,720 B1 6,320,489 B1
6,344,785 B1 6,662,431 B1



2880 Lakeside Drive #116
Santa Clara, CA 95054
(650) 903-3800
www.haloelectronics.com

HALO® Electronics is a leading supplier of high quality communication magnetics including signal transformers, filters, CMR chokes, PoE power transformers, DC/DC converters, and integrated Ethernet connectors. HALO's leading edge technology solutions are manufactured in ISO9001 and ISO14001 factories offering high quality products at a competitive price.

AMEYA360

Components Supply Platform

Authorized Distribution Brand :



Website :

Welcome to visit www.ameya360.com

Contact Us :

➤ Address :

401 Building No.5, JiuGe Business Center, Lane 2301, Yishan Rd
Minhang District, Shanghai , China

➤ Sales :

Direct +86 (21) 6401-6692

Email amall@ameya360.com

QQ 800077892

Skype [ameyasales1](#) [ameyasales2](#)

➤ Customer Service :

Email service@ameya360.com

➤ Partnership :

Tel +86 (21) 64016692-8333

Email mkt@ameya360.com