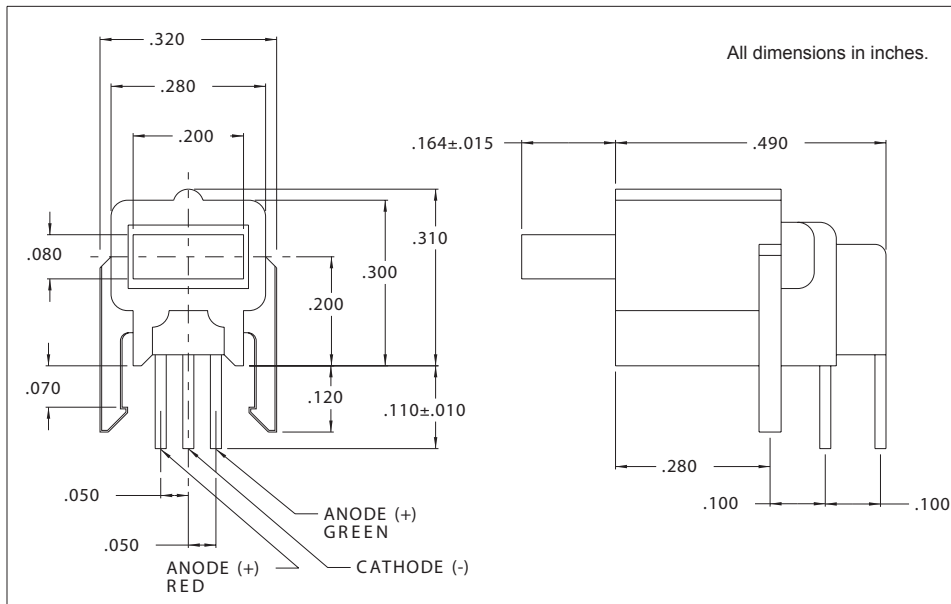


5639 Series Rectangular Bicolor Right Angle LED Assembly

Description and Features



Features

- 3 lead design provides 3 color output.
- Brightness matched chips.
- Block mounting for consistent height and spacing alignment, saves assembly cost.
- Snap-in mounting
- Standoffs prevent flux entrapment.
- RoHS Compliant

Housing: Thermoplastic polyester, black UL94V-O

Refer to "Mounting Hole Pattern 4.pdf"

Electro-Optical Characteristics and Ratings

| Part Number | Emitted Color | Typical Intensity (mcd) | Rated Current (mA) | Continuous Forward Current Max. (mA) | Forward Voltage | | Reverse Breakdown Voltage Min. (V) | Peak Wavelength (nm) |
|-------------|---------------|-------------------------|--------------------|--------------------------------------|-----------------|----------|------------------------------------|----------------------|
| | | | | | Typ. (V) | Max. (V) | | |
| 5639D1/5 | Red | 3.5 | 20 | 25 | 2.1 | 2.5 | 5 | 635 |
| | Green | 4.0 | 20 | 25 | 2.3 | 2.5 | 5 | 565 |

AMEYA360

Components Supply Platform

Authorized Distribution Brand :



Website :

Welcome to visit www.ameya360.com

Contact Us :

➤ Address :

401 Building No.5, JiuGe Business Center, Lane 2301, Yishan Rd
Minhang District, Shanghai , China

➤ Sales :

Direct +86 (21) 6401-6692

Email amall@ameya360.com

QQ 800077892

Skype [ameyasales1](#) [ameyasales2](#)

➤ Customer Service :

Email service@ameya360.com

➤ Partnership :

Tel +86 (21) 64016692-8333

Email mkt@ameya360.com