

Type 3650 Series

Key Features

- Choice of Four Package Sizes
- Wire Wound Construction
- Smooth Top Aids Placement
- 1.0nH to 4.7mH Value Range
- Laboratory Design Kits Available
- High Q Factor
- High S.R.F.
- Standard Tolerances



The 3650 Series is a new concept from TE Connectivity, a range of inductors in values from 1.0 nanohenry to 4.7 microhenries. The 3650 is available in four package sizes and is designed for automatic placement.

Characteristics - Electrical Type 36501E Series - 0402 Package

| Inductance Code | Inductance (nH) @ 250MHz | Tolerance (%) | Q Min. | S.R.F. Min. (GHz) | R.D.C. Max (Ohms) | I.D.C. Max. (mA) | 900MHz | | 1.7GHz | |
|-----------------|--------------------------|---------------|--------|-------------------|-------------------|------------------|--------|--------|--------|--------|
| | | | | | | | L Typ. | Q Typ. | L Typ. | Q Typ. |
| 1N0 | 1.0 | 10 | 16 | 12.7 | 0.045 | 1360 | 1.02 | 77 | 1.02 | 69 |
| 1N9 | 1.9 | 10,5 | 16 | 11.3 | 0.070 | 1040 | 1.72 | 68 | 1.74 | 82 |
| 2N0 | 2.0 | 10,5 | 16 | 11.1 | 0.070 | 1040 | 1.93 | 54 | 1.93 | 75 |
| 2N2 | 2.2 | 10,5 | 19 | 10.8 | 0.070 | 960 | 2.19 | 59 | 2.23 | 100 |
| 2N4 | 2.4 | 10,5 | 15 | 10.5 | 0.070 | 790 | 2.24 | 51 | 2.27 | 68 |
| 2N7 | 2.7 | 10,5 | 16 | 10.4 | 0.120 | 640 | 2.23 | 42 | 2.25 | 61 |
| 3N3 | 3.3 | 10,5,2 | 19 | 7.00 | 0.066 | 840 | 3.10 | 65 | 3.12 | 87 |
| 3N6 | 3.6 | 10,5,2 | 19 | 6.80 | 0.066 | 840 | 3.56 | 45 | 3.62 | 71 |
| 3N9 | 3.9 | 10,5,2 | 19 | 5.80 | 0.066 | 840 | 3.89 | 50 | 4.00 | 75 |
| 4N3 | 4.3 | 10,5,2 | 18 | 6.00 | 0.091 | 700 | 4.19 | 47 | 4.30 | 71 |
| 4N7 | 4.7 | 10,5,2 | 15 | 4.70 | 0.130 | 640 | 4.55 | 48 | 4.68 | 68 |
| 5N1 | 5.1 | 10,5,2 | 20 | 4.80 | 0.083 | 800 | 5.15 | 56 | 5.25 | 82 |
| 5N6 | 5.6 | 10,5,2 | 20 | 4.80 | 0.083 | 760 | 5.16 | 54 | 5.28 | 81 |
| 6N2 | 6.2 | 10,5,2 | 20 | 4.80 | 0.083 | 760 | 6.16 | 52 | 6.37 | 76 |
| 6N8 | 6.8 | 10,5,2 | 20 | 4.80 | 0.083 | 680 | 6.56 | 63 | 6.93 | 78 |
| 7N5 | 7.5 | 10,5,2 | 22 | 4.80 | 0.104 | 680 | 7.91 | 60 | 8.22 | 88 |
| 8N2 | 8.2 | 10,5,2 | 22 | 4.40 | 0.104 | 680 | 8.50 | 57 | 8.85 | 84 |
| 8N7 | 8.7 | 10,5,2 | 18 | 4.10 | 0.200 | 480 | 8.78 | 54 | 9.21 | 73 |
| 9N0 | 9.0 | 10,5,2 | 22 | 4.16 | 0.104 | 680 | 9.07 | 62 | 9.53 | 78 |
| 9N5 | 9.5 | 10,5,2 | 18 | 4.00 | 0.200 | 480 | 9.42 | 54 | 9.98 | 69 |
| 10N | 10 | 10,5,2 | 21 | 3.90 | 0.195 | 480 | 9.8 | 50 | 10.1 | 67 |
| 11N | 11 | 10,5,2 | 24 | 3.68 | 0.120 | 640 | 10.7 | 52 | 11.2 | 78 |
| 12N | 12 | 10,5,2 | 24 | 3.60 | 0.120 | 640 | 11.9 | 53 | 12.7 | 71 |
| 13N | 13 | 10,5,2 | 24 | 3.45 | 0.210 | 440 | 13.4 | 51 | 14.6 | 57 |
| 15N | 15 | 10,5,2 | 24 | 3.28 | 0.172 | 560 | 14.6 | 55 | 15.5 | 77 |
| 16N | 16 | 10,5,2 | 24 | 3.10 | 0.220 | 560 | 16.6 | 46 | 18.8 | 47 |
| 18N | 18 | 10,5,2 | 24 | 3.10 | 0.230 | 420 | 18.3 | 57 | 20.28 | 62 |
| 19N | 19 | 10,5,2 | 24 | 3.04 | 0.202 | 480 | 19.1 | 50 | 21.1 | 67 |
| 20N | 20 | 10,5,2 | 25 | 3.00 | 0.250 | 420 | 20.7 | 52 | 23.66 | 53 |
| 22N | 22 | 10,5,2 | 25 | 2.80 | 0.300 | 400 | 23.2 | 53 | 26.75 | 53 |
| 23N | 23 | 10,5,2 | 22 | 2.72 | 0.300 | 400 | 23.8 | 49 | 26.9 | 64 |
| 24N | 24 | 10,5,2 | 25 | 2.70 | 0.300 | 400 | 25.1 | 51 | 29.5 | 50 |
| 27N | 27 | 10,5,2 | 24 | 2.48 | 0.300 | 400 | 28.7 | 49 | 33.5 | 63 |

Type 3650 Series

Characteristics - Electrical - Type 36501E Series - 0402 Package (cont.)

| Inductance Code | Inductance (nH) @ 250MHz | Tolerance (%) | Q Min. | S.R.F. Min. (GHz) | R.D.C. Max (Ohms) | I.D.C. Max. (mA) | 900MHz | | 1.7GHz | |
|-----------------|--------------------------|---------------|--------|-------------------|-------------------|------------------|--------|--------|--------|--------|
| | | | | | | | L Typ. | Q Typ. | L Typ. | Q Typ. |
| 30N | 30 | 10,5,2 | 25 | 2.35 | 0.350 | 400 | 31.1 | 46 | 38.5 | 39 |
| 33N | 33 | 10,5,2 | 24 | 2.35 | 0.350 | 400 | 34.9 | 31 | 41.74 | 32 |
| 36N | 36 | 10,5,2 | 24 | 2.32 | 0.440 | 320 | 39.5 | 44 | 48.4 | 53 |
| 39N | 39 | 10,5,2 | 25 | 2.10 | 0.550 | 200 | 41.7 | 47 | 50.23 | 45 |
| 40N | 40 | 10,5,2 | 24 | 2.24 | 0.440 | 320 | 39.0 | 44 | 47.4 | 33 |
| 43N | 43 | 10,5,2 | 25 | 2.03 | 0.810 | 100 | 45.8 | 46 | 61.55 | 34 |
| 47N | 47 | 10,5,2 | 20 | 2.10 | 0.830 | 150 | 50.0 | 38 | - | - |
| 51N | 51 | 10,5,2 | 25 | 1.75 | 0.820 | 100 | - | - | - | - |
| 56N | 56 | 10,5,2 | 22 | 1.76 | 0.970 | 100 | - | - | - | - |
| 68N | 68 | 10,5,2 | 22 | 1.62 | 1.120 | 100 | - | - | - | - |

Characteristics - Electrical - Type 36501J Series - 0603 Package

| Inductance Code | Inductance (nH) @ 250MHz | Tolerance (%) | Q Min. | S.R.F. Min. (MHz) | R.D.C. Max (Ohms) | I.D.C. Max. (mA) | 900MHz | | 1.7GHz | | Colour Code |
|-----------------|--------------------------|---------------|--------|-------------------|-------------------|------------------|--------|--------|--------|--------|-------------|
| | | | | | | | L Typ. | Q Typ. | L Typ. | Q Typ. | |
| 1N6 | 1.6 | 10,5 | 16 | 12500 | 0.040 | 700 | 1.53 | 35 | 1.58 | 55 | Blue |
| 1N8 | 1.8 | 10,5 | 16 | 12500 | 0.045 | 700 | 1.63 | 35 | 1.66 | 50 | Black |
| 2N2 | 2.2 | 10,5 | 20 | 6000 | 0.100 | 700 | 2.18 | 41 | 2.20 | 64 | White |
| 3N3 | 3.3 | 10,5,2 | 22 | >6000 | 0.080 | 700 | 3.35 | 47 | 3.40 | 65 | Red |
| 3N6 | 3.6 | 10,5,2 | 22 | 5800 | 0.063 | 700 | 3.53 | 49 | 3.58 | 65 | Violet |
| 3N9 | 3.9 | 10,5,2 | 22 | >6000 | 0.080 | 700 | 3.95 | 49 | 3.96 | 67 | Brown |
| 4N3 | 4.3 | 10,5,2 | 22 | 5800 | 0.063 | 700 | 4.32 | 49 | 4.43 | 67 | Orange |
| 4N7 | 4.7 | 10,5,2 | 20 | 5800 | 0.120 | 700 | 4.65 | 53 | 4.80 | 67 | Violet |
| 5N1 | 5.1 | 10,5,2 | 20 | 5800 | 0.160 | 700 | 5.13 | 47 | 5.36 | 56 | Green |
| 5N6 | 5.6 | 10,5,2 | 20 | 5800 | 0.170 | 700 | 5.53 | 56 | 5.86 | 77 | Yellow |
| 6N8 | 6.8 | 10,5,2 | 27 | 5800 | 0.110 | 700 | 6.75 | 60 | 7.10 | 81 | Red |
| 7N5 | 7.5 | 10,5,2 | 27 | 4800 | 0.110 | 700 | 7.39 | 62 | 7.71 | 81 | Brown |
| 8N2 | 8.2 | 10,5,2 | 27 | 4800 | 0.110 | 700 | 8.25 | 64 | 8.40 | 81 | Green |
| 8N7 | 8.7 | 10,5,2 | 27 | 4800 | 0.110 | 700 | 8.84 | 62 | 9.38 | 58 | Yellow |
| 9N5 | 9.5 | 10,5,2 | 27 | 4800 | 0.130 | 700 | 9.64 | 59 | 10.5 | 61 | Blue |
| 10N | 10.0 | 10,5,2 | 31 | 4800 | 0.130 | 700 | 10.0 | 66 | 10.6 | 83 | Orange |
| 11N | 11.0 | 10,5,2 | 31 | 4000 | 0.086 | 700 | 11.3 | 53 | 12.1 | 56 | Grey |
| 12N | 12.0 | 10,5,2 | 35 | 4000 | 0.130 | 700 | 12.3 | 72 | 13.5 | 83 | Yellow |
| 15N | 15.0 | 10,5,2 | 35 | 4000 | 0.170 | 700 | 15.4 | 64 | 16.8 | 89 | Green |
| 16N | 16.0 | 10,5,2 | 35 | 3300 | 0.110 | 700 | 16.5 | 55 | 18.0 | 52 | White |
| 18N | 18.0 | 10,5,2 | 35 | 3100 | 0.170 | 700 | 18.7 | 70 | 21.4 | 69 | Blue |
| 22N | 22.0 | 10,5,2 | 38 | 3000 | 0.190 | 700 | 22.8 | 73 | 26.1 | 71 | Violet |
| 23N | 23.0 | 10,5,2 | 38 | 2850 | 0.190 | 700 | 24.1 | 71 | 28.0 | 71 | Orange |
| 24N | 24.0 | 10,5,2 | 36 | 2800 | 0.130 | 700 | 25.7 | 45 | 30.9 | 40 | Black |
| 27N | 27.0 | 10,5,2 | 40 | 2800 | 0.220 | 600 | 29.2 | 74 | 34.6 | 65 | Grey |
| 30N | 30.0 | 10,5,2 | 37 | 2800 | 0.150 | 600 | 31.4 | 47 | 39.8 | 28 | Brown |
| 33N | 33.0 | 10,5,2 | 40 | 2300 | 0.220 | 600 | 36.0 | 67 | 49.5 | 42 | White |
| 36N | 36.0 | 10,5,2 | 37 | 2300 | 0.250 | 600 | 39.1 | 47 | 48.9 | 24 | Red |
| 39N | 39.0 | 10,5,2 | 40 | 2200 | 0.250 | 600 | 42.7 | 60 | 60.2 | 40 | Black |
| 43N | 43.0 | 10,5,2 | 38 | 2000 | 0.280 | 600 | 46.9 | 44 | 60.3 | 21 | Orange |
| 47N | 47.0 | 10,5,2 | 38 | 2000 | 0.280 | 600 | 52.2 | 62 | 77.2 | 35 | Brown |
| 51N | 51.0 | 10,5,2 | 35 | 1900 | 0.280 | 600 | 55.5 | 69 | 82.2 | 34 | Blue |
| 56N | 56.0 | 10,5,2 | 38 | 1900 | 0.310 | 600 | 62.5 | 56 | 97.0 | 26 | Red |
| 68N | 68.0 | 10,5,2 | 37 | 1700 | 0.340 | 600 | 80.5 | 54 | 168.0 | 21 | Orange |
| 72N | 72.0 | 10,5,2 | 34 | 1700 | 0.490 | 400 | 82.0 | 53 | 135.0 | 20 | Yellow |
| 82N | 82.0 | 10,5,2 | 34 | 1700 | 0.540 | 400 | 96.2 | 54 | 177.0 | 21 | Green |
| R10 | 100 | 10,5,2 | 34 | 1400 | 0.580 | 400 | 124 | 49 | - | - | Blue |
| R11 | 110 | 10,5,2 | 32 | 1350 | 0.610 | 300 | 138 | 43 | - | - | Violet |
| R12 | 120 | 10,5,2 | 32 | 1300 | 0.650 | 300 | 166 | 39 | - | - | Grey |
| R15 | 150 | 10,5,2 | 32 | 1300 | 0.950 | 280 | 230 | 25 | - | - | White |
| R18 | 180 | 10,5,2 | 25 | 1250 | 1.400 | 250 | 305 | 22 | - | - | Black |
| R22 | 220 | 10,5,2 | 25 | 1200 | 1.600 | 250 | - | - | - | - | Brown |
| R26 | 260 | 10,5,2 | 25 | 1000 | 2.000 | 200 | - | - | - | - | Orange |
| R27 | 270 | 10,5,2 | 25 | 900 | 2.100 | 200 | - | - | - | - | Red |
| R33 | 330 | 10,5,2 | 25 | 900 | 3.800 | 100 | - | - | - | - | Blue |
| R39 | 390 | 10,5,2 | 25 | 900 | 4.350 | 100 | - | - | - | - | Yellow |

Type 3650 Series

Characteristics - Electrical Type 36502A Series - 0805 Package

| Inductance Code | Inductance (nH) @ 250MHz | Tolerance (%) | Q Min. | S.R.F. Min. (MHz) | R.D.C. Max (Ohms) | I.D.C. Max. (mA) | Colour Code |
|-----------------|--------------------------|---------------|--------------|-------------------|-------------------|------------------|-------------|
| 2N8 | 2.8 | 10,5 | 80 @ 1500MHz | 7900 | 0.06 | 800 | Grey |
| 3N0 | 3.0 | 10,5 | 65 @ 1500MHz | 7900 | 0.06 | 800 | White |
| 3N3 | 3.3 | 10,5 | 50 @ 1500MHz | 6000 | 0.08 | 600 | Black |
| 5N6 | 5.6 | 10,5 | 65 @ 1000MHz | 5500 | 0.08 | 600 | Orange |
| 6N8 | 6.8 | 10,5 | 50 @ 1000MHz | 5500 | 0.11 | 600 | Brown |
| 7N5 | 7.5 | 10,5 | 50 @ 1000MHz | 4500 | 0.14 | 600 | Green |
| 8N2 | 8.2 | 10,5 | 50 @ 1000MHz | 4700 | 0.12 | 600 | Red |
| 8N7 | 8.7 | 10,5 | 50 @ 1000MHz | 3900 | 0.21 | 400 | White |
| 10N | 10.0 | 10,5,2 | 60 @ 500MHz | 4200 | 0.10 | 600 | Blue |
| 12N | 12.0 | 10,5,2 | 50 @ 500MHz | 4000 | 0.15 | 600 | Orange |
| 15N | 15.0 | 10,5,2 | 50 @ 500MHz | 3400 | 0.17 | 600 | Yellow |
| 18N | 18.0 | 10,5,2 | 50 @ 500MHz | 3300 | 0.20 | 600 | Green |
| 22N | 22.0 | 10,5,2 | 55 @ 500MHz | 2600 | 0.22 | 500 | Blue |
| 24N | 24.0 | 10,5,2 | 50 @ 500MHz | 2000 | 0.22 | 500 | Grey |
| 27N | 27.0 | 10,5,2 | 55 @ 500MHz | 2500 | 0.25 | 500 | Violet |
| 33N | 33.0 | 10,5,2 | 60 @ 500MHz | 2050 | 0.27 | 500 | Grey |
| 36N | 36.0 | 10,5,2 | 55 @ 500MHz | 1700 | 0.27 | 500 | Orange |
| 39N | 39.0 | 10,5,2 | 60 @ 500MHz | 2000 | 0.29 | 500 | White |
| 43N | 43.0 | 10,5,2 | 60 @ 500MHz | 1650 | 0.34 | 500 | Yellow |
| 47N | 47.0 | 10,5,2 | 60 @ 500MHz | 1650 | 0.31 | 500 | Black |
| 56N | 56.0 | 10,5,2 | 60 @ 500MHz | 1550 | 0.34 | 500 | Brown |
| 68N | 68.0 | 10,5,2 | 60 @ 500MHz | 1450 | 0.38 | 500 | Red |
| 72N | 72.0 | 10,5,2 | 65 @ 500MHz | 1400 | 0.40 | 500 | Green |
| 82N | 82.0 | 10,5,2 | 65 @ 500MHz | 1300 | 0.42 | 400 | Orange |
| 91N | 91.0 | 10,5,2 | 65 @ 500MHz | 1200 | 0.48 | 400 | Black |
| R10 | 100 | 10,5,2 | 65 @ 500MHz | 1200 | 0.46 | 400 | Yellow |
| R11 | 110 | 10,5,2 | 50 @ 250MHz | 1000 | 0.48 | 400 | Brown |
| R12 | 120 | 10,5,2 | 50 @ 250MHz | 1100 | 0.51 | 400 | Green |
| R15 | 150 | 10,5,2 | 50 @ 250MHz | 920 | 0.56 | 400 | Blue |
| R18 | 180 | 10,5,2 | 50 @ 250MHz | 870 | 0.64 | 400 | Violet |
| R20 | 200 | 10,5,2 | 50 @ 250MHz | 860 | 0.66 | 400 | Orange |
| R22 | 220 | 10,5,2 | 50 @ 250MHz | 850 | 0.70 | 400 | Grey |
| R24 | 240 | 10,5,2 | 44 @ 250MHz | 690 | 1.00 | 350 | Red |
| R25 | 250 | 10,5,2 | 45 @ 250MHz | 680 | 1.00 | 350 | Green |
| R27 | 270 | 10,5,2 | 48 @ 250MHz | 650 | 1.00 | 350 | White |
| R30 | 300 | 10,5,2 | 48 @ 250MHz | 620 | 1.20 | 330 | Yellow |
| R33 | 330 | 10,5,2 | 48 @ 250MHz | 600 | 1.40 | 310 | Black |
| R36 | 360 | 10,5,2 | 48 @ 250MHz | 580 | 1.45 | 300 | Green |
| R39 | 390 | 10,5,2 | 48 @ 250MHz | 560 | 1.50 | 290 | Brown |
| R43 | 430 | 10,5,2 | 33 @ 100MHz | 430 | 1.70 | 230 | Blue |
| R47 | 470 | 10,5,2 | 33 @ 100MHz | 375 | 1.70 | 220 | Red |
| R56 | 560 | 10,5,2 | 23 @ 50MHz | 340 | 1.90 | 210 | Orange |
| R62 | 620 | 10,5,2 | 23 @ 50MHz | 220 | 2.20 | 210 | Yellow |
| R68 | 680 | 10,5,2 | 23 @ 50MHz | 200 | 2.20 | 190 | Green |
| R75 | 750 | 10,5,2 | 23 @ 50MHz | 200 | 2.30 | 180 | Blue |
| R82 | 820 | 10,5,2 | 23 @ 50MHz | 200 | 2.35 | 180 | Violet |
| 1R0 | 1000 | 10,5,2 | 20 @ 50MHz | 100 | 2.50 | 170 | Grey |
| 1R2 | 1200 | 10,5,2 | 18 @ 25MHz | 100 | 2.50 | 170 | White |
| 1R5 | 1500 | 10,5,2 | 16 @ 25MHz | 100 | 2.50 | 170 | Black |
| 1R8 | 1800 | 10,5,2 | 16 @ 7.9MHz | 80 | 2.50 | 170 | Brown |
| 2R2 | 2200 | 10,5,2 | 16 @ 7.9MHz | 60 | 2.70 | 160 | Red |
| 2R7 | 2700 | 10,5,2 | 16 @ 7.9MHz | 50 | 2.95 | 150 | Orange |

Type 3650 Series

Characteristics - Electrical Type 36502C Series - 1008 Package

| Inductance Code | Inductance (nH) | Tolerance (%) | Q Min. | S.R.F. Min. (MHz) | R.D.C. Max (Ohms) | I.D.C. Max. (mA) |
|-----------------|-----------------|---------------|--------------|-------------------|-------------------|------------------|
| 5N6 | 5.6 @ 50MHz | 10,5 | 50 @ 1500MHz | 4000 | 0.15 | 1000 |
| 10N | 10 @ 50MHz | 10,5,2 | 50 @ 500MHz | 4100 | 0.08 | 1000 |
| 12N | 12 @ 50MHz | 10,5,2 | 50 @ 500MHz | 3300 | 0.09 | 1000 |
| 15N | 15 @ 50MHz | 10,5,2 | 50 @ 500MHz | 2500 | 0.11 | 1000 |
| 18N | 18 @ 50MHz | 10,5,2 | 50 @ 350MHz | 2400 | 0.12 | 1000 |
| 22N | 22 @ 50MHz | 10,5,2 | 55 @ 350MHz | 2400 | 0.12 | 1000 |
| 24N | 24 @ 50MHz | 10,5,2 | 55 @ 350MHz | 1900 | 0.12 | 1000 |
| 27N | 27 @ 50MHz | 10,5,2 | 55 @ 350MHz | 1600 | 0.13 | 1000 |
| 33N | 33 @ 50MHz | 10,5,2 | 60 @ 350MHz | 1600 | 0.14 | 1000 |
| 39N | 39 @ 50MHz | 10,5,2 | 60 @ 350MHz | 1500 | 0.15 | 1000 |
| 47N | 47 @ 50MHz | 10,5,2 | 65 @ 350MHz | 1500 | 0.16 | 1000 |
| 56N | 56 @ 50MHz | 10,5,2 | 65 @ 350MHz | 1300 | 0.18 | 1000 |
| 62N | 62 @ 50MHz | 10,5,2 | 65 @ 350MHz | 1250 | 0.20 | 1000 |
| 68N | 68 @ 50MHz | 10,5,2 | 65 @ 350MHz | 1300 | 0.20 | 1000 |
| 75N | 75 @ 50MHz | 10,5,2 | 60 @ 350MHz | 1100 | 0.21 | 1000 |
| 82N | 82 @ 50MHz | 10,5,2 | 60 @ 350MHz | 1000 | 0.22 | 1000 |
| R10 | 100 @ 25MHz | 10,5,2 | 60 @ 350MHz | 1000 | 0.56 | 650 |
| R12 | 120 @ 25MHz | 10,5,2 | 60 @ 350MHz | 950 | 0.63 | 650 |
| R15 | 150 @ 25MHz | 10,5,2 | 45 @ 100MHz | 850 | 0.70 | 580 |
| R18 | 180 @ 25MHz | 10,5,2 | 45 @ 100MHz | 750 | 0.77 | 620 |
| R22 | 220 @ 25MHz | 10,5,2 | 45 @ 100MHz | 700 | 0.84 | 500 |
| R24 | 240 @ 25MHz | 10,5,2 | 45 @ 100MHz | 650 | 0.88 | 500 |
| R27 | 270 @ 25MHz | 10,5,2 | 45 @ 100MHz | 600 | 0.91 | 500 |
| R30 | 300 @ 25MHz | 10,5,2 | 45 @ 100MHz | 585 | 1.00 | 450 |
| R33 | 330 @ 25MHz | 10,5,2 | 45 @ 100MHz | 570 | 1.05 | 450 |
| R36 | 360 @ 25MHz | 10,5,2 | 45 @ 100MHz | 530 | 1.10 | 470 |
| R39 | 390 @ 25MHz | 10,5,2 | 45 @ 100MHz | 500 | 1.12 | 470 |
| R43 | 430 @ 25MHz | 10,5,2 | 45 @ 100MHz | 480 | 1.15 | 470 |
| R47 | 470 @ 25MHz | 10,5,2 | 45 @ 100MHz | 450 | 1.19 | 470 |
| R56 | 560 @ 25MHz | 10,5,2 | 45 @ 100MHz | 415 | 1.33 | 400 |
| R62 | 620 @ 25MHz | 10,5,2 | 45 @ 100MHz | 375 | 1.40 | 300 |
| R68 | 680 @ 25MHz | 10,5,2 | 45 @ 100MHz | 375 | 1.47 | 400 |
| R75 | 750 @ 25MHz | 10,5,2 | 45 @ 100MHz | 360 | 1.54 | 360 |
| R82 | 820 @ 25MHz | 10,5,2 | 45 @ 100MHz | 350 | 1.61 | 400 |
| R91 | 910 @ 25MHz | 10,5,2 | 35 @ 50MHz | 320 | 1.68 | 380 |
| 1R0 | 1000 @ 25MHz | 10,5,2 | 35 @ 50MHz | 290 | 1.75 | 370 |
| 1R2 | 1200 @ 7.9MHz | 10,5,2 | 35 @ 50MHz | 250 | 2.00 | 310 |
| 1R5 | 1500 @ 7.9MHz | 10,5,2 | 28 @ 50MHz | 200 | 2.30 | 330 |
| 1R8 | 1800 @ 7.9MHz | 10,5,2 | 28 @ 50MHz | 160 | 2.60 | 300 |
| 2R2 | 2200 @ 7.9MHz | 10,5,2 | 28 @ 50MHz | 160 | 2.80 | 280 |
| 2R7 | 2700 @ 7.9MHz | 10,5,2 | 22 @ 25MHz | 140 | 3.20 | 290 |
| 3R3 | 3300 @ 7.9MHz | 10,5,2 | 22 @ 25MHz | 110 | 3.40 | 290 |
| 3R9 | 3900 @ 7.9MHz | 10,5,2 | 20 @ 25MHz | 100 | 3.60 | 260 |
| 4R7 | 4700 @ 7.9MHz | 10,5,2 | 20 @ 25MHz | 90 | 4.00 | 260 |
| 5R6 | 5600 @ 7.9MHz | 10,5,2 | 16 @ 7.96MHz | 20 | 4.00 | 240 |
| 6R8 | 6800 @ 7.9MHz | 10,5,2 | 15 @ 7.96MHz | 40 | 4.90 | 200 |
| 8R2 | 8200 @ 7.9MHz | 10,5,2 | 15 @ 7.96MHz | 25 | 6.00 | 170 |
| 103 | 10000 @ 2.52MHz | 10,5,2 | 15 @ 7.96MHz | 20 | 9.00 | 150 |
| 123 | 12000 @ 2.52MHz | 10,5,2 | 15 @ 7.96MHz | 18 | 10.5 | 130 |
| 153 | 15000 @ 2.52MHz | 10,5,2 | 15 @ 7.96MHz | 15 | 11.5 | 120 |

Type 3650 Series

Characteristics - Electrical Type 36512A Series - 0805 Package - Low Profile

| Inductance Code | Inductance (nH) | Tolerance (%) | Q Min. | S.R.F. Min. (MHz) | R.D.C. Max (Ohms) | I.D.C. Max. (mA) | Colour Code |
|-----------------|-----------------|---------------|--------------|-------------------|-------------------|------------------|-------------|
| 1N8 | 1.8 @ 250MHz | 10 | 55 @ 1500MHz | 9400 | 0.03 | 800 | Black |
| 3N9 | 3.9 @ 250MHz | 10,5 | 50 @ 1000MHz | 6100 | 0.06 | 800 | Brown |
| 4N7 | 4.7 @ 250MHz | 10,5 | 50 @ 1000MHz | 5500 | 0.06 | 800 | Red |
| 6N8 | 6.8 @ 250MHz | 10,5 | 50 @ 1000MHz | 5500 | 0.08 | 800 | Orange |
| 8N2 | 8.2 @ 250MHz | 10,5 | 50 @ 1000MHz | 4800 | 0.08 | 800 | Yellow |
| 10N | 10.0 @ 250MHz | 10,5,2 | 55 @ 750MHz | 3300 | 0.08 | 800 | Green |
| 12N | 12.0 @ 250MHz | 10,5,2 | 55 @ 750MHz | 3800 | 0.10 | 800 | Blue |
| 15N | 15.0 @ 250MHz | 10,5,2 | 50 @ 500MHz | 2950 | 0.10 | 800 | Violet |
| 18N | 18.0 @ 250MHz | 10,5,2 | 50 @ 500MHz | 3100 | 0.13 | 800 | Grey |
| 22N | 22.0 @ 250MHz | 10,5,2 | 50 @ 500MHz | 2900 | 0.15 | 800 | White |
| 27N | 27.0 @ 250MHz | 10,5,2 | 50 @ 500MHz | 2450 | 0.23 | 600 | Black |
| 33N | 33.0 @ 250MHz | 10,5,2 | 50 @ 500MHz | 2350 | 0.28 | 600 | Brown |
| 39N | 39.0 @ 250MHz | 10,5,2 | 50 @ 500MHz | 2200 | 0.33 | 600 | Red |
| 47N | 47.0 @ 200MHz | 10,5,2 | 50 @ 500MHz | 2000 | 0.39 | 600 | Orange |
| 56N | 56.0 @ 200MHz | 10,5,2 | 50 @ 500MHz | 1850 | 0.39 | 500 | Yellow |
| 68N | 68.0 @ 200MHz | 10,5,2 | 50 @ 500MHz | 1500 | 0.40 | 500 | Green |
| 82N | 82.0 @ 150MHz | 10,5,2 | 50 @ 500MHz | 1500 | 0.44 | 500 | Blue |
| R10 | 100.0 @ 150MHz | 10,5,2 | 50 @ 500MHz | 1200 | 0.64 | 400 | Violet |
| R12 | 120.0 @ 150MHz | 10,5,2 | 40 @ 250MHz | 1150 | 0.68 | 300 | Grey |
| R15 | 150.0 @ 150MHz | 10,5,2 | 40 @ 250MHz | 1050 | 0.80 | 300 | White |
| 1R0 | 1000.0 @ 25MHz | 10,5,2 | 16 @ 50MHz | 80 | 2.00 | 220 | Black |

Characteristics - Electrical Type 36512C Series - 1008 Package - Low Profile

| Inductance Code | Inductance (nH) | Tolerance (%) | Q Min. | S.R.F. Min. (MHz) | R.D.C. Max (Ohms) | I.D.C. Max. (mA) |
|-----------------|-----------------|---------------|--------------|-------------------|-------------------|------------------|
| 3N3 | 3.3 @ 50MHz | 10,5 | 42 @ 1500MHz | 6000 | 0.03 | 1000 |
| 3N9 | 3.9 @ 50MHz | 10,5 | 42 @ 1500MHz | 6000 | 0.08 | 1000 |
| 4N7 | 4.7 @ 50MHz | 10,5 | 42 @ 1500MHz | 6000 | 0.15 | 600 |
| 5N6 | 5.6 @ 50MHz | 10,5 | 50 @ 1500MHz | 5800 | 0.16 | 600 |
| 6N8 | 6.8 @ 50MHz | 10,5 | 50 @ 1500MHz | 5400 | 0.17 | 600 |
| 8N2 | 8.2 @ 50MHz | 10,5 | 50 @ 1500MHz | 5000 | 0.22 | 600 |
| 15N | 15 @ 50MHz | 10,5 | 57 @ 500MHz | 3000 | 0.22 | 600 |
| 20N | 20 @ 50MHz | 10,5 | 72 @ 500MHz | 2400 | 0.33 | 600 |
| 30N | 30 @ 50MHz | 10,5 | 69 @ 500MHz | 2400 | 0.38 | 600 |
| 40N | 40 @ 50MHz | 10,5 | 67 @ 500MHz | 2000 | 0.43 | 600 |
| 50N | 50 @ 50MHz | 10,5,2 | 72 @ 500MHz | 1900 | 0.48 | 600 |
| 56N | 56 @ 50MHz | 10,5,2 | 67 @ 500MHz | 1850 | 0.49 | 600 |
| 60N | 60 @ 50MHz | 10,5,2 | 75 @ 500MHz | 1800 | 0.52 | 600 |
| 68N | 68 @ 50MHz | 10,5,2 | 72 @ 500MHz | 1750 | 0.53 | 560 |
| 70N | 70 @ 50MHz | 10,5,2 | 68 @ 500MHz | 1700 | 0.55 | 510 |
| 80N | 80 @ 50MHz | 10,5,2 | 75 @ 500MHz | 1400 | 0.56 | 510 |
| 90N | 90 @ 50MHz | 10,5,2 | 80 @ 500MHz | 1400 | 0.61 | 500 |
| R56 | 560 @ 25MHz | 10,5,2 | 40 @ 100MHz | 400 | 1.33 | 400 |

Type 3650 Series

Characteristics - Electrical

Type 36521J Series - 0603 Package - High Current

| Inductance Code | Inductance (nH) | Tolerance (%) | Q Min. | S.R.F. Min. (MHz) | R.D.C. Max (Ohms) | I.D.C. Max. (mA) | Colour Code |
|-----------------|-----------------|---------------|--------|-------------------|-------------------|------------------|-------------|
| 1N6 | 1.6 @ 250MHz | 10,5 | 24 | 12500 | 0.030 | 2400 | Black |
| 3N6 | 3.6 @ 250MHz | 10,5 | 24 | 5900 | 0.048 | 2300 | Brown |
| 3N9 | 3.9 @ 250MHz | 10,5 | 25 | 5900 | 0.054 | 2200 | Red |
| 6N8 | 6.8 @ 250MHz | 10,5 | 35 | 5800 | 0.054 | 2100 | Orange |
| 7N5 | 7.5 @ 250MHz | 10,5 | 35 | 3700 | 0.059 | 2100 | Yellow |
| 10N | 10 @ 250MHz | 10,5,2 | 38 | 3700 | 0.071 | 2000 | Green |
| 12N | 12 @ 250MHz | 10,5,2 | 38 | 3000 | 0.075 | 2000 | Blue |
| 15N | 15 @ 250MHz | 10,5,2 | 38 | 2800 | 0.080 | 1900 | Violet |
| 18N | 18 @ 250MHz | 10,5,2 | 40 | 2800 | 0.099 | 1900 | Grey |
| 22N | 22 @ 250MHz | 10,5,2 | 42 | 2400 | 0.099 | 1800 | White |
| 24N | 24 @ 250MHz | 10,5,2 | 42 | 2400 | 0.105 | 1800 | Black |

Characteristics - Electrical

Type 36532A Series - 0805 Package - High Q

| Inductance Code | Inductance (nH) | Tolerance (%) | Q Min. | S.R.F. Min. (MHz) | R.D.C. Max (Ohms) | I.D.C. Max. (mA) | Colour Code |
|-----------------|-----------------|---------------|--------------|-------------------|-------------------|------------------|-------------|
| 2N5 | 2.5 @ 250MHz | 10,5 | 80 @ 1500MHz | 6000 | 0.020 | 1600 | Black |
| 5N6 | 5.6 @ 250MHz | 10,5 | 98 @ 1500MHz | 6000 | 0.035 | 1600 | Brown |
| 6N2 | 6.2 @ 250MHz | 10,5 | 88 @ 1000MHz | 4750 | 0.035 | 1600 | Red |
| 6N8 | 6.8 @ 250MHz | 10,5 | 80 @ 1000MHz | 4400 | 0.035 | 1600 | White |
| 8N2 | 8.2 @ 250MHz | 10,5 | 75 @ 1000MHz | 3000 | 0.075 | 1000 | Grey |
| 12N | 12 @ 250MHz | 10,5 | 80 @ 1000MHz | 3000 | 0.045 | 1600 | Orange |
| 16N | 16 @ 250MHz | 10,5,2 | 72 @ 500MHz | 2950 | 0.060 | 1500 | Yellow |
| 18N | 18 @ 250MHz | 10,5,2 | 75 @ 500MHz | 2550 | 0.060 | 1400 | Green |
| 20N | 20 @ 250MHz | 10,5,2 | 70 @ 500MHz | 2050 | 0.055 | 1400 | Blue |
| 27N | 27 @ 250MHz | 10,5,2 | 75 @ 500MHz | 2000 | 0.070 | 1300 | Violet |
| 30N | 30 @ 250MHz | 10,5,2 | 65 @ 500MHz | 1950 | 0.095 | 1200 | Grey |
| 39N | 39 @ 250MHz | 10,5,2 | 65 @ 500MHz | 1600 | 0.110 | 1100 | White |
| 48N | 48 @ 200MHz | 10,5,2 | 65 @ 500MHz | 1400 | 0.095 | 1200 | Black |
| 51N | 51 @ 200MHz | 10,5,2 | 65 @ 500MHz | 1400 | 0.120 | 1000 | Brown |

Characteristics - Electrical

Type 36532C Series - 1008 Package - High Q

| Inductance Code | Inductance (nH) | Tolerance (%) | Q Min. | S.R.F. Min. (MHz) | R.D.C. Max (Ohms) | I.D.C. Max. (mA) |
|-----------------|-----------------|---------------|--------------|-------------------|-------------------|------------------|
| 3N0 | 3.0 @ 50MHz | 10,5 | 70 @ 1500MHz | 6000 | 0.04 | 1600 |
| 4N1 | 4.1 @ 50MHz | 10,5 | 75 @ 1500MHz | 6000 | 0.05 | 1600 |
| 7N8 | 7.8 @ 50MHz | 10,5 | 75 @ 500MHz | 3800 | 0.05 | 1600 |
| 10N | 10 @ 50MHz | 10,5,2 | 60 @ 500MHz | 3600 | 0.06 | 1600 |
| 12N | 12 @ 50MHz | 10,5,2 | 70 @ 500MHz | 2800 | 0.06 | 1500 |
| 18N | 18 @ 50MHz | 10,5,2 | 62 @ 350MHz | 2700 | 0.07 | 1400 |
| 22N | 22 @ 50MHz | 10,5,2 | 62 @ 350MHz | 2050 | 0.07 | 1400 |
| 33N | 33 @ 50MHz | 10,5,2 | 75 @ 350MHz | 1700 | 0.09 | 1300 |
| 39N | 39 @ 50MHz | 10,5,2 | 75 @ 350MHz | 1300 | 0.09 | 1300 |
| 47N | 47 @ 50MHz | 10,5,2 | 75 @ 350MHz | 1450 | 0.12 | 1200 |
| 56N | 56 @ 50MHz | 10,5,2 | 75 @ 350MHz | 1230 | 0.12 | 1200 |
| 68N | 68 @ 50MHz | 10,5,2 | 80 @ 350MHz | 1150 | 0.13 | 1100 |
| 82N | 82 @ 50MHz | 10,5,2 | 80 @ 350MHz | 1060 | 0.16 | 1100 |
| R10 | 100 @ 50MHz | 10,5,2 | 62 @ 350MHz | 820 | 0.16 | 1000 |

Type 3650 Series

Characteristics - Electrical Type 36541E Series - 0402 Package - High SRF

| Inductance Code | Inductance (nH)@ 250 MHz | Tolerance (% or nH) | S.R.F. Min. (GHz) | R.D.C. Max (Ohms) | I.D.C. Max. (mA) |
|-----------------|--------------------------|---------------------------|-------------------|-------------------|------------------|
| 1N0 | 1.0 | ±0.2nH, ±0.5nH, ±5%, ±10% | 16.0 | 0.030 | 2300 |
| 2N0 | 2.0 | ±0.2nH, ±0.5nH, ±5%, ±10% | 15.2 | 0.038 | 2100 |
| 2N2 | 2.2 | ±0.2nH, ±0.5nH, ±5%, ±10% | 15.1 | 0.038 | 2100 |
| 2N4 | 2.4 | ±0.2nH, ±0.5nH, ±5%, ±10% | 14.0 | 0.042 | 2000 |
| 2N7 | 2.7 | ±0.2nH, ±0.5nH, ±5%±10% | 13.0 | 0.056 | 1500 |
| 3N3 | 3.3 | ±0.5nH, ±3%, ±5%±10% | 12.8 | 0.045 | 1700 |
| 3N6 | 3.6 | ±0.5nH, ±3%, ±5%±10% | 11.7 | 0.045 | 1700 |
| 3N9 | 3.9 | ±0.5nH, ±3%, ±5%±10% | 9.5 | 0.045 | 1700 |
| 4N3 | 4.3 | ±0.5nH, ±3%, ±5%±10% | 7.15 | 0.045 | 1600 |
| 4N7 | 4.7 | ±0.5nH, ±3%, ±5%±10% | 6.85 | 0.060 | 1500 |
| 5N1 | 5.1 | ±2%, ±3%, ±5%, ±10% | 6.8 | 0.100 | 1200 |
| 5N6 | 5.6 | ±2%, ±3%, ±5%, ±10% | 6.5 | 0.048 | 1600 |
| 6N2 | 6.2 | ±2%, ±3%, ±5%, ±10% | 5.8 | 0.050 | 1600 |
| 6N8 | 6.8 | ±2%, ±3%, ±5%, ±10% | 5.8 | 0.055 | 1500 |
| 7N5 | 7.5 | ±2%, ±3%, ±5%, ±10% | 5.4 | 0.080 | 1400 |
| 8N2 | 8.2 | ±2%, ±3%, ±5%, ±10% | 5.4 | 0.058 | 1500 |
| 8N7 | 8.7 | ±2%, ±3%, ±5%, ±10% | 5.0 | 0.058 | 1500 |
| 9N0 | 9.0 | ±2%, ±3%, ±5%, ±10% | 5.0 | 0.080 | 1400 |
| 9N5 | 9.5 | ±2%, ±3%, ±5%, ±10% | 4.7 | 0.080 | 1400 |
| 10N | 10 | ±2%, ±3%, ±5%, ±10% | 4.7 | 0.085 | 1300 |
| 11N | 11 | ±2%, ±3%, ±5%, ±10% | 4.7 | 0.065 | 1400 |
| 12N | 12 | ±2%, ±3%, ±5%, ±10% | 4.4 | 0.090 | 1200 |
| 13N | 13 | ±2%, ±3%, ±5%, ±10% | 4.2 | 0.140 | 870 |
| 15N | 15 | ±2%, ±3%, ±5%, ±10% | 3.9 | 0.110 | 1100 |
| 16N | 16 | ±2%, ±3%, ±5%, ±10% | 3.7 | 0.130 | 850 |
| 18N | 18 | ±2%, ±3%, ±5%, ±10% | 3.55 | 0.120 | 900 |
| 19N | 19 | ±2%, ±3%, ±5%, ±10% | 3.5 | 0.145 | 850 |
| 20N | 20 | ±2%, ±3%, ±5%, ±10% | 3.5 | 0.185 | 780 |
| 21N | 21 | ±2%, ±3%, ±5%, ±10% | 1.7 | 0.460 | 450 |
| 22N | 22 | ±2%, ±3%, ±5%, ±10% | 3.3 | 0.160 | 800 |
| 23N | 23 | ±2%, ±3%, ±5%, ±10% | 3.3 | 0.160 | 800 |
| 24N | 24 | ±2%, ±3%, ±5%, ±10% | 3.15 | 0.190 | 700 |
| 25N | 25 | ±2%, ±3%, ±5%, ±10% | 3.15 | 0.230 | 600 |
| 26N | 26 | ±2%, ±3%, ±5%, ±10% | 3.15 | 0.275 | 450 |
| 27N | 27 | ±2%, ±3%, ±5%, ±10% | 3.2 | 0.275 | 450 |
| 30N | 30 | ±2%, ±3%, ±5%, ±10% | 2.9 | 0.330 | 450 |
| 33N | 33 | ±2%, ±3%, ±5%, ±10% | 2.8 | 0.330 | 490 |
| 36N | 36 | ±2%, ±3%, ±5%, ±10% | 2.8 | 0.360 | 480 |
| 37N | 37 | ±2%, ±3%, ±5%, ±10% | 2.7 | 0.480 | 470 |
| 39N | 39 | ±2%, ±3%, ±5%, ±10% | 2.6 | 0.430 | 450 |
| 40N | 40 | ±2%, ±3%, ±5%, ±10% | 2.6 | 0.430 | 450 |
| 43N | 43 | ±2%, ±3%, ±5%, ±10% | 2.5 | 0.520 | 450 |
| 47N | 47 | ±2%, ±3%, ±5%, ±10% | 2.4 | 0.580 | 420 |
| 51N | 51 | ±2%, ±3%, ±5%, ±10% | 2.3 | 0.700 | 360 |

Type 3650 Series

Environmental Characteristics - Mechanical Performance

| Item | Specification | Test Method |
|--|---|--|
| Vibration Test: | Appearance: No damage $\Delta L \leq \pm 5\%$ $\Delta Q \leq \pm 10\%$ | Test device shall be soldered on the substrate Oscillation Frequency: 10 to 55 to 10Hz for 1min Amplitude: 1.5mm Time: 2hrs for each axis (X, Y & Z), total 6hrs |
| Resistance to Soldering Heat: | | Solder Temperature: 260 \pm 5 $^{\circ}$ C Immersion Time: 10 \pm 2sec |
| Component Adhesion: (Push Test) | 1 lbs. For 0402 2 lbs. For 0603 3 lbs. For the rest | The device should be REFLOW soldered (230 \pm 5 $^{\circ}$ C for 10 seconds) to a tinned copper substrate. A dynamiter force gauge should be applied to the side of the component. The device must with stand a minimum force of 2 or 4 pounds without a failure of the termination attached to component. |
| Drop Test: | After test, there shall be no evidence of electrical or mechanical damage | Drop once for each face and once for each corner. Total drop 10 Times. Drop height :100cm Drop weight:125g |
| Solderability Test: | The terminal should at least be 90% covered with solder. | After fluxing (alpha 100 or equiv), inductor shall be dipped in a melted solder bath at 260 \pm 5 $^{\circ}$ C for 5 seconds. |
| Resistance to Solvent Test: | There shall be no case of deformation change in appearance or obliteration of marking | MIL-STD202F,METHOD 215D |

Electrical Performance

| Item | Specification | Test Method |
|--------------------------------------|---|---|
| Inductance: | | HP4291B |
| Q: | | HP4291B |
| SRF: | REFER to Standard Electrical Characteristic List | HP8753D |
| DC Resistance R_{dc}: | | Micro-Ohmeter (Gom-801G) |
| Rated Current IDC: | | Applied the current to coils, $\Delta L < 10\%$ |
| Overload Test: | After test, there shall be no evidence of electrical and mechanical damage | Applied 2 times rated current for 5 minutes |
| Withstanding Voltage Test: | After test, there shall be no evidence of electrical and mechanical damage. | Ac voltage of 500 VAC applied between inductors terminal and case for 1 minute. |
| Insulation Resistance Test: | 1000M OHM MIN. | 100 VDC applied between inductor terminal and case |

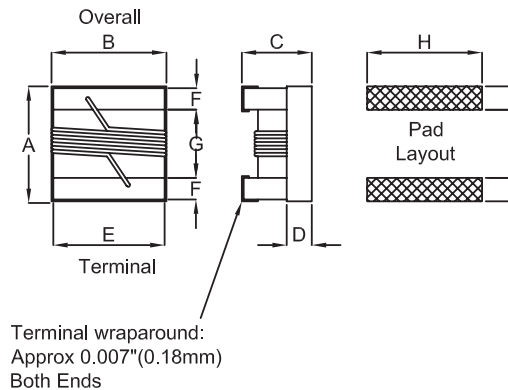
Type 3650 Series

Climatic Test

| Item | Specification | Test Method | | | | | | | | | | | | | | | |
|----------------------------|---|--|------|-----------------|------------|---|-------|----|---|------|----|---|------|----|---|------|----|
| Operating Temp. Range: | | -40°C to +125°C | | | | | | | | | | | | | | | |
| Humidity Resistance: | | Temperature: 40±2°C Relative Humidity: 90~95% Time: 96hrs±2hrs Measured after exposure in the room condition for 2hrs | | | | | | | | | | | | | | | |
| Low Temp. Storage Test: | | Temperature: -40±2°C Time: 48±2hrs Inductors are to be tested after 1 hour at room temperature | | | | | | | | | | | | | | | |
| Thermal Shock Test: | Appearance: No damage $\Delta L \leq \pm 10\%$ $\Delta Q \leq \pm 20\%$ | One Cycle: <table border="1"> <thead> <tr> <th>Step</th> <th>Temperature(°C)</th> <th>Time (min)</th> </tr> </thead> <tbody> <tr> <td>1</td> <td>-25±3</td> <td>30</td> </tr> <tr> <td>2</td> <td>25±2</td> <td>15</td> </tr> <tr> <td>3</td> <td>85±3</td> <td>30</td> </tr> <tr> <td>4</td> <td>25±2</td> <td>15</td> </tr> </tbody> </table> | Step | Temperature(°C) | Time (min) | 1 | -25±3 | 30 | 2 | 25±2 | 15 | 3 | 85±3 | 30 | 4 | 25±2 | 15 |
| Step | Temperature(°C) | Time (min) | | | | | | | | | | | | | | | |
| 1 | -25±3 | 30 | | | | | | | | | | | | | | | |
| 2 | 25±2 | 15 | | | | | | | | | | | | | | | |
| 3 | 85±3 | 30 | | | | | | | | | | | | | | | |
| 4 | 25±2 | 15 | | | | | | | | | | | | | | | |
| High Temp. Storage Test: | | Temperature: 125±2°C Time: 48±2hrs Measured after 1 hour at room temperature | | | | | | | | | | | | | | | |
| High Temp. Load Life Test: | | Temperature: 85±2°C Time: 1000±12hrs Load: Rated current | | | | | | | | | | | | | | | |
| Humidity Load Life: | There should be no evidence of short or open circuit. | Temperature: 40±2°C Relative Humidity: 90~95% Time: 1000±12hrs Load: Rated current | | | | | | | | | | | | | | | |

* Storage Temperature: 25±3°C, <80%RH

Dimensions



Type 3650 Series

| Series | A Max. | B Max. | C Max. | D Ref. | E | F | G | H | I | J |
|--------|--------|--------|--------|--------|------|------|------|------|------|------|
| 36502C | 2.92 | 2.79 | 2.10 | 0.51 | 2.03 | 0.51 | 1.52 | 2.54 | 1.02 | 1.27 |
| 36502A | 2.29 | 1.73 | 1.52 | 0.51 | 1.27 | 0.51 | 1.02 | 1.78 | 1.02 | 0.76 |
| 36501J | 1.80 | 1.12 | 1.02 | 0.38 | 0.76 | 0.33 | 0.86 | 1.02 | 0.64 | 0.64 |
| 36501E | 1.27 | 0.76 | 0.61 | 0.15 | 0.51 | 0.23 | 0.56 | 0.66 | 0.50 | 0.46 |

Type 3651 Series

| Series | A Max. | B Max. | C Max. | D Ref. | E | F | G | H | I | J |
|--------|--------|--------|--------|--------|------|------|------|------|------|------|
| 36512C | 2.92 | 2.79 | 1.40 | 0.65 | 2.03 | 0.51 | 1.52 | 2.54 | 1.02 | 1.27 |
| 36512A | 2.29 | 1.73 | 1.03 | 0.51 | 1.27 | 0.44 | 1.02 | 1.78 | 1.02 | 0.76 |

Type 3652 / 3653 / 3654 Series

| Series | A Max. | B Max. | C Max. | D Ref. | E | F | G | H | I | J |
|--------|--------|--------|--------|--------|------|------|------|------|------|------|
| 36532C | 2.92 | 2.79 | 2.03 | 0.65 | 2.03 | 0.51 | 1.52 | 2.54 | 1.02 | 1.27 |
| 36532A | 2.29 | 1.73 | 1.52 | 0.51 | 1.27 | 0.44 | 1.02 | 1.78 | 1.02 | 0.76 |
| 36521J | 1.80 | 1.12 | 1.02 | 0.38 | 0.76 | 0.33 | 0.86 | 1.02 | 0.64 | 0.64 |
| 36541E | 1.15 | 0.70 | 0.60 | - | 0.45 | 0.20 | 0.60 | 0.65 | 0.35 | 0.50 |

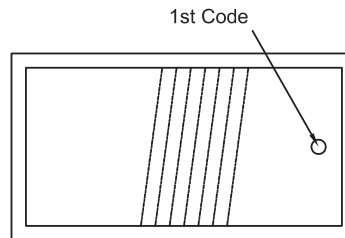
Type 3650 Series

Colour Coding

0603 / 0805/1008 Series (0402 Series has no Colour Coding)

Because of their small size, these parts are marked with a single colour dot.

The inductance value represented by the dot is shown on the data page for each series.



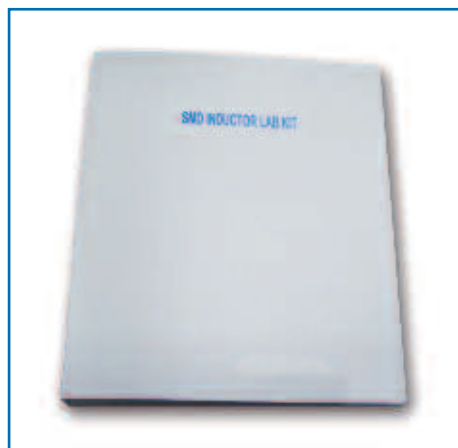
How to Order

| 3650 | 1E | R10 | J | TDG |
|---|--|--|--|---|
| Common Part | Case Size | Inductance Value | Tolerance | Packaging |
| 3650 - Std 3651 - Low Profile 3652 - High Current 3653 - High Q 3654 - High SRF | 1E – 0402 Package 1J – 0603 Package 2A – 0805 Package 2C - 1008 Package | See relevant table for Inductance Code | G - $\pm 2\%$ J - $\pm 5\%$ K - $\pm 10\%$ M - $\pm 20\%$ | TDG - 2000 pcs/reel TE - 4000pcs/reel (1E, 1J only) |

Type 3650 Series Lab Kits

TE Connectivity are pleased to announce that our successful 3650 Series Low inductance, high frequency Chip Inductors are now also available in laboratory kits.

With four kits available, one for each chip size, each carrying an extensive selection of values, we are sure that the 3650 Lab Kits will become an essential part of your engineering office.



Type 3650 Series

0402 Lab Kit

| Val nH | Tol. | Qty | Product Number | Description |
|--------|------|-----|----------------|---------------------------|
| 1.0 | 5% | 50 | 36501E1N0KTDG | 3650 0402 1.0nH 10% 2K RL |
| 1.9 | 5% | 50 | 36501E1N9JTDG | 3650 0402 1.9nH 5% 2K RL |
| 2.0 | 5% | 50 | 36501E2N0JTDG | 3650 0402 2.0nH 5% 2K RL |
| 2.2 | 5% | 50 | 36501E2N2JTDG | 3650 0402 2.2nH 5% 2K RL |
| 2.4 | 5% | 50 | 36501E2N4JTDG | 3650 0402 2.4nH 5% 2K RL |
| 2.7 | 5% | 50 | 36501E2N7JTDG | 3650 0402 2.7nH 5% 2K RL |
| 3.3 | 5% | 50 | 36501E3N3JTDG | 3650 0402 3.3nH 5% 2K RL |
| 3.6 | 5% | 50 | 36501E3N6JTDG | 3650 0402 3.6nH 5% 2K RL |
| 3.9 | 5% | 50 | 36501E3N9JTDG | 3650 0402 3.9nH 5% 2K RL |
| 4.3 | 5% | 50 | 36501E4N3JTDG | 3650 0402 4.3nH 5% 2K RL |
| 4.7 | 5% | 50 | 36501E4N7JTDG | 3650 0402 4.7nH 5% 2K RL |
| 5.1 | 5% | 50 | 36501E5N1JTDG | 3650 0402 5.1nH 5% 2K RL |
| 5.6 | 5% | 50 | 36501E5N6JTDG | 3650 0402 5.6nH 5% 2K RL |
| 6.2 | 5% | 50 | 36501E6N2JTDG | 3650 0402 6.2nH 5% 2K RL |
| 6.8 | 5% | 50 | 36501E6N8JTDG | 3650 0402 6.8nH 5% 2K RL |
| 7.5 | 5% | 50 | 36501E7N5JTDG | 3650 0402 7.5nH 5% 2K RL |
| 8.2 | 5% | 50 | 36501E8N2JTDG | 3650 0402 8.2nH 5% 2K RL |
| 8.7 | 5% | 50 | 36501E8N7JTDG | 3650 0402 8.7nH 5% 2K RL |
| 9.0 | 5% | 50 | 36501E9N0JTDG | 3650 0402 9.0nH 5% 2K RL |
| 9.5 | 5% | 50 | 36501E9N5JTDG | 3650 0402 9.5nH 5% 2K RL |
| 10 | 5% | 50 | 36501E10NJTDG | 3650 0402 10nH 5% 2K RL |
| 11 | 5% | 50 | 36501E11NJTDG | 3650 0402 11nH 5% 2K RL |
| 12 | 5% | 50 | 36501E12NJTDG | 3650 0402 12nH 5% 2K RL |
| 13 | 5% | 50 | 36501E13NJTDG | 3650 0402 13nH 5% 2K RL |
| 15 | 5% | 50 | 36501E15NJTDG | 3650 0402 15nH 5% 2K RL |
| 16 | 5% | 50 | 36501E16NJTDG | 3650 0402 16nH 5% 2K RL |
| 18 | 5% | 50 | 36501E18NJTDG | 3650 0402 18nH 5% 2K RL |
| 19 | 5% | 50 | 36501E19NJTDG | 3650 0402 19nH 5% 2K RL |
| 20 | 5% | 50 | 36501E20NJTDG | 3650 0402 20nH 5% 2K RL |
| 22 | 5% | 50 | 36501E22NJTDG | 3650 0402 22nH 5% 2K RL |
| 23 | 5% | 50 | 36501E23NJTDG | 3650 0402 23nH 5% 2K RL |
| 24 | 5% | 50 | 36501E24NJTDG | 3650 0402 24nH 5% 2K RL |
| 27 | 5% | 50 | 36501E27NJTDG | 3650 0402 27nH 5% 2K RL |
| 30 | 5% | 50 | 36501E30NJTDG | 3650 0402 30nH 5% 2K RL |
| 33 | 5% | 50 | 36501E33NJTDG | 3650 0402 33nH 5% 2K RL |
| 36 | 5% | 50 | 36501E36NJTDG | 3650 0402 36nH 5% 2K RL |
| 39 | 5% | 50 | 36501E39NJTDG | 3650 0402 39nH 5% 2K RL |
| 40 | 5% | 50 | 36501E40NJTDG | 3650 0402 40nH 5% 2K RL |
| 43 | 5% | 50 | 36501E43NJTDG | 3650 0402 43nH 5% 2K RL |
| 47 | 5% | 50 | 36501E47NJTDG | 3650 0402 47nH 5% 2K RL |
| 51 | 5% | 50 | 36501E51NJTDG | 3650 0402 51nH 5% 2K RL |
| 56 | 5% | 50 | 36501E56NJTDG | 3650 0402 56nH 5% 2K RL |
| 68 | 5% | 50 | 36501E68NJTDG | 3650 0402 68nH 5% 2K RL |

0603 Lab Kit

| Val nH | Tol. | Qty | Product Number | Description |
|--------|------|-----|----------------|---------------------------|
| 1.6 | 5% | 50 | 36501J1N6JTDG | 3650 0603 1.6nH 5% 2K RL |
| 1.8 | 5% | 50 | 36501J1N8JTDG | 3650 0603 1.8nH 5% 2K RL |
| 2.2 | 5% | 50 | 36501J2N2JTDG | 3650 0603 2.2nH 5% 2K RL |
| 3.3 | 5% | 50 | 36501J3N3JTDG | 3650 0603 3.3nH 5% 2K RL |
| 3.6 | 5% | 50 | 36501J3N6JTDG | 3650 0603 3.6nH 5% 2K RL |
| 3.9 | 5% | 50 | 36501J3N9JTDG | 3650 0603 3.9nH 5% 2K RL |
| 4.3 | 5% | 50 | 36501J4N3JTDG | 3650 0603 4.3nH 5% 2K RL |
| 4.7 | 5% | 50 | 36501J4N7JTDG | 3650 0603 4.7nH 5% 2K RL |
| 5.1 | 5% | 50 | 36501J5N1JTDG | 3650 0603 5.1nH 5% 2K RL |
| 5.6 | 5% | 50 | 36501J5N6JTDG | 3650 0603 5.6nH 5% 2K RL |
| 6.8 | 5% | 50 | 36501J6N8JTDG | 3650 0603 6.8nH 5% 2K RL |
| 7.5 | 5% | 50 | 36501J7N5JTDG | 3650 0603 7.5nH 5% 2K RL |
| 8.2 | 5% | 50 | 36501J8N2JTDG | 3650 0603 8.2nH 5% 2K RL |
| 8.7 | 5% | 50 | 36501J8N7JTDG | 3650 0603 8.7nH 5% 2K RL |
| 9.5 | 5% | 50 | 36501J9N5JTDG | 3650 0603 9.5nH 5% 2K RL |
| 10 | 5% | 50 | 36501J010JTDG | 3650 0603 10nH 5% 2K RL |
| 11 | 5% | 50 | 36501J11NJTDG | 3650 0603 11nH 5% 2K RL |
| 12 | 5% | 50 | 36501J012JTDG | 3650 0603 12nH 5% 2K RL |
| 15 | 5% | 50 | 36501J15NJTDG | 3650 0603 15nH 5% 2K RL |
| 16 | 5% | 50 | 36501J16NJTDG | 3650 0603 16nH 5% 2K RL |
| 18 | 5% | 50 | 36501J18NJTDG | 3650 0603 18nH 5% 2K RL |
| 22 | 5% | 50 | 36501J022JTDG | 3650 0603 22nH 5% 2K RL |
| 23 | 5% | 50 | 36501J23NJTDG | 3650 0603 23nH 5% 2K RL |
| 24 | 5% | 50 | 36501J24NJTDG | 3650 0603 24nH 5% 2K RL |
| 27 | 5% | 50 | 36501J027JTDG | 3650 0603 27nH 5% 2K RL |
| 30 | 5% | 50 | 36501J30NJTDG | 3650 0603 30nH 5% 2K RL |
| 33 | 5% | 50 | 36501J033JTDG | 3650 0603 33nH 5% 2K RL |
| 36 | 5% | 50 | 36501J36NJTDG | 3650 0603 36nH 5% 2K RL |
| 39 | 5% | 50 | 36501J039JTDG | 3650 0603 39nH 5% 2K RL |
| 43 | 5% | 50 | 36501J43NJTDG | 3650 0603 43nH 5% 2K RL |
| 47 | 5% | 50 | 36501J047JTDG | 3650 0603 47nH 5% 2K RL |
| 51 | 5% | 50 | 36501J51NJTDG | 3650 0603 51nH 5% 2K RL |
| 56 | 5% | 50 | 36501J56NJTDG | 3650 0603 56nH 5% 2K RL |
| 68 | 5% | 50 | 36501J068JTDG | 3650 0603 68nH 5% 2K RL |
| 72 | 5% | 50 | 36501J72NJTDG | 3650 0603 72nH 5% 2K RL |
| 82 | 5% | 50 | 36501J82NJTDG | 3650 0603 82nH 5% 2K RL |
| 100 | 5% | 50 | 36501JR10JTDG | 3650 0603 0.10uH 5% 2K RL |
| 110 | 5% | 50 | 36501JR11JTDG | 3650 0603 0.11uH 5% 2K RL |
| 120 | 5% | 50 | 36501JR12JTDG | 3650 0603 0.12uH 5% 2K RL |
| 150 | 5% | 50 | 36501JR15JTDG | 3650 0603 0.15uH 5% 2K RL |
| 180 | 5% | 50 | 36501JR18JTDG | 3650 0603 0.18uH 5% 2K RL |
| 220 | 5% | 50 | 36501JR22JTDG | 3650 0603 0.22uH 5% 2K RL |
| 260 | 5% | 50 | 36501JR26JTDG | 3650 0603 0.26uH 5% 2K RL |
| 270 | 5% | 50 | 36501JR27JTDG | 3650 0603 0.27uH 5% 2K RL |
| 330 | 5% | 50 | 36501JR33JTDG | 3650 0603 0.33uH 5% 2K RL |
| 390 | 5% | 50 | 36501JR39JTDG | 3650 0603 0.39uH 5% 2K RL |

Type 3650 Series

0805 Lab Kit

| Val nH | Tol. | Qty | Product Number | Description |
|--------|------|-----|----------------|-------------------------|
| 2.8 | 5% | 50 | 36502A2N8JTDG | 3650 2A 2.8nH 5% 2K RL |
| 3.0 | 5% | 50 | 36502A3N0JTDG | 3650 2A 3.0nH 5% 2K RL |
| 3.3 | 5% | 50 | 36502A3N3JTDG | 3650 2A 3.3nH 5% 2K RL |
| 5.6 | 5% | 50 | 36502A5N6JTDG | 3650 2A 5.6nH 5% 2K RL |
| 6.8 | 5% | 50 | 36502A6N8JTDG | 3650 2A 6.8nH 5% 2K RL |
| 7.5 | 5% | 50 | 36502A7N5JTDG | 3650 2A 7.5nH 5% 2K RL |
| 8.2 | 5% | 50 | 36502A8N2JTDG | 3650 2A 8.2nH 5% 2K RL |
| 8.7 | 5% | 50 | 36502A8N7JTDG | 3650 2A 8.7nH 5% 2K RL |
| 10 | 5% | 50 | 36502A10NJTDG | 3650 2A 10nH 5% 2K RL |
| 12 | 5% | 50 | 36502A12NJTDG | 3650 2A 12nH 5% 2K RL |
| 15 | 5% | 50 | 36502A15NJTDG | 3650 2A 15nH 5% 2K RL |
| 18 | 5% | 50 | 36502A18NJTDG | 3650 2A 18nH 5% 2K RL |
| 22 | 5% | 50 | 36502A22NJTDG | 3650 2A 22nH 5% 2K RL |
| 24 | 5% | 50 | 36502A24NJTDG | 3650 2A 24nH 5% 2K RL |
| 27 | 5% | 50 | 36502A27NJTDG | 3650 2A 27nH 5% 2K RL |
| 33 | 5% | 50 | 36502A33NJTDG | 3650 2A 33nH 5% 2K RL |
| 36 | 5% | 50 | 36502A36NJTDG | 3650 2A 36nH 5% 2K RL |
| 39 | 5% | 50 | 36502A39NJTDG | 3650 2A 39nH 5% 2K RL |
| 43 | 5% | 50 | 36502A43NJTDG | 3650 2A 43nH 5% 2K RL |
| 47 | 5% | 50 | 36502A47NJTDG | 3650 2A 47nH 5% 2K RL |
| 56 | 5% | 50 | 36502A56NJTDG | 3650 2A 56nH 5% 2K RL |
| 68 | 5% | 50 | 36502A68NJTDG | 3650 2A 68nH 5% 2K RL |
| 72 | 5% | 50 | 36502A72NJTDG | 3650 2A 72nH 5% 2K RL |
| 82 | 5% | 50 | 36502A82NJTDG | 3650 2A 82nH 5% 2K RL |
| 91 | 5% | 50 | 36502A91NJTDG | 3650 2A 91nH 5% 2K RL |
| 100 | 5% | 50 | 36502AR10JTDG | 3650 2A 0.10uH 5% 2K RL |
| 110 | 5% | 50 | 36502AR11JTDG | 3650 2A 0.11uH 5% 2K RL |
| 120 | 5% | 50 | 36502AR12JTDG | 3650 2A 0.12uH 5% 2K RL |
| 150 | 5% | 50 | 36502AR15JTDG | 3650 2A 0.15uH 5% 2K RL |
| 180 | 5% | 50 | 36502AR18JTDG | 3650 2A 0.18uH 5% 2K RL |
| 200 | 5% | 50 | 36502AR20JTDG | 3650 2A 0.20uH 5% 2K RL |
| 220 | 5% | 50 | 36502AR22JTDG | 3650 2A 0.22uH 5% 2K RL |
| 240 | 5% | 50 | 36502AR24JTDG | 3650 2A 0.24uH 5% 2K RL |
| 250 | 5% | 50 | 36502AR25JTDG | 3650 2A 0.25uH 5% 2K RL |
| 270 | 5% | 50 | 36502AR27JTDG | 3650 2A 0.27uH 5% 2K RL |
| 300 | 5% | 50 | 36502AR30JTDG | 3650 2A 0.30uH 5% 2K RL |
| 330 | 5% | 50 | 36502AR33JTDG | 3650 2A 0.33uH 5% 2K RL |
| 360 | 5% | 50 | 36502AR36JTDG | 3650 2A 0.36uH 5% 2K RL |
| 390 | 5% | 50 | 36502AR39JTDG | 3650 2A 0.39uH 5% 2K RL |
| 430 | 5% | 50 | 36502AR43JTDG | 3650 2A 0.43uH 5% 2K RL |
| 470 | 5% | 50 | 36502AR47JTDG | 3650 2A 0.47uH 5% 2K RL |
| 560 | 5% | 50 | 36502AR56JTDG | 3650 2A 0.56uH 5% 2K RL |
| 620 | 5% | 50 | 36502AR62JTDG | 3650 2A 0.62uH 5% 2K RL |
| 680 | 5% | 50 | 36502AR68JTDG | 3650 2A 0.68uH 5% 2K RL |
| 750 | 5% | 50 | 36502AR75JTDG | 3650 2A 0.75uH 5% 2K RL |
| 820 | 5% | 50 | 36502AR82JTDG | 3650 2A 0.82uH 5% 2K RL |
| 1000 | 5% | 50 | 36502A1R0JTDG | 3650 2A 1.0uH 5% 2K RL |
| 1200 | 5% | 50 | 36502A1R2JTDG | 3650 2A 1.2uH 5% 2K RL |
| 1500 | 5% | 50 | 36502A1R5JTDG | 3650 2A 1.5uH 5% 2K RL |
| 1800 | 5% | 50 | 36502A1R8JTDG | 3650 2A 1.8uH 5% 2K RL |
| 2200 | 5% | 50 | 36502A2R2JTDG | 3650 2A 2.2uH 5% 2K RL |
| 2700 | 5% | 50 | 36502A2R7JTDG | 3650 2A 2.7uH 5% 2K RL |

1008 Lab Kit

| Val nH | Tol. | Qty | Product Number | Description |
|--------|------|-----|----------------|---------------------------|
| 5.6 | 5% | 50 | 36502C5N6JTDG | 3650 1008 5.6nH 5% 2K RL |
| 10 | 5% | 50 | 36502C10NJTDG | 3650 1008 10nH 5% 2K RL |
| 12 | 5% | 50 | 36502C12NJTDG | 3650 1008 12nH 5% 2K RL |
| 15 | 5% | 50 | 36502C15NJTDG | 3650 1008 15nH 5% 2K RL |
| 18 | 5% | 50 | 36502C18NJTDG | 3650 1008 18nH 5% 2K RL |
| 22 | 5% | 50 | 36502C22NJTDG | 3650 1008 22nH 5% 2K RL |
| 24 | 5% | 50 | 36502C24NJTDG | 3650 1008 24nH 5% 2K RL |
| 27 | 5% | 50 | 36502C27NJTDG | 3650 1008 27nH 5% 2K RL |
| 33 | 5% | 50 | 36502C33NJTDG | 3650 1008 33nH 5% 2K RL |
| 39 | 5% | 50 | 36502C39NJTDG | 3650 1008 39nH 5% 2K RL |
| 47 | 5% | 50 | 36502C47NJTDG | 3650 1008 47nH 5% 2K RL |
| 56 | 5% | 50 | 36502C56NJTDG | 3650 1008 56nH 5% 2K RL |
| 62 | 5% | 50 | 36502C62NJTDG | 3650 1008 62nH 5% 2K RL |
| 68 | 5% | 50 | 36502C68NJTDG | 3650 1008 68nH 5% 2K RL |
| 75 | 5% | 50 | 36502C75NJTDG | 3650 1008 75nH 5% 2K RL |
| 82 | 5% | 50 | 36502C82NJTDG | 3650 1008 82nH 5% 2K RL |
| 100 | 5% | 50 | 36502CR10JTDG | 3650 1008 0.10uH 5% 2K RL |
| 120 | 5% | 50 | 36502CR12JTDG | 3650 1008 0.12uH 5% 2K RL |
| 150 | 5% | 50 | 36502CR15JTDG | 3650 1008 0.15uH 5% 2K RL |
| 180 | 5% | 50 | 36502CR18JTDG | 3650 1008 0.18uH 5% 2K RL |
| 220 | 5% | 50 | 36502CR22JTDG | 3650 1008 0.22uH 5% 2K RL |
| 240 | 5% | 50 | 36502CR24JTDG | 3650 1008 0.24uH 5% 2K RL |
| 270 | 5% | 50 | 36502CR27JTDG | 3650 1008 0.27uH 5% 2K RL |
| 300 | 5% | 50 | 36502CR30JTDG | 3650 1008 0.30uH 5% 2K RL |
| 330 | 5% | 50 | 36502CR33JTDG | 3650 1008 0.33uH 5% 2K RL |
| 360 | 5% | 50 | 36502CR36JTDG | 3650 1008 0.36uH 5% 2K RL |
| 390 | 5% | 50 | 36502CR39JTDG | 3650 1008 0.39uH 5% 2K RL |
| 430 | 5% | 50 | 36502CR43JTDG | 3650 1008 0.43uH 5% 2K RL |
| 470 | 5% | 50 | 36502CR47JTDG | 3650 1008 0.47uH 5% 2K RL |
| 560 | 5% | 50 | 36502CR56JTDG | 3650 1008 0.56uH 5% 2K RL |
| 620 | 5% | 50 | 36502CR62JTDG | 3650 1008 0.62uH 5% 2K RL |
| 680 | 5% | 50 | 36502CR68JTDG | 3650 1008 0.68uH 5% 2K RL |
| 750 | 5% | 50 | 36502CR75JTDG | 3650 1008 0.75uH 5% 2K RL |
| 820 | 5% | 50 | 36502CR82JTDG | 3650 1008 0.82uH 5% 2K RL |
| 910 | 5% | 50 | 36502CR91JTDG | 3650 1008 0.91uH 5% 2K RL |
| 1000 | 5% | 50 | 36502C1R0JTDG | 3650 1008 1.0uH 5% 2K RL |
| 1200 | 5% | 50 | 36502C1R2JTDG | 3650 1008 1.2uH 5% 2K RL |
| 1500 | 5% | 50 | 36502C1R5JTDG | 3650 1008 1.5uH 5% 2K RL |
| 1800 | 5% | 50 | 36502C1R8JTDG | 3650 1008 1.8uH 5% 2K RL |
| 2200 | 5% | 50 | 36502C2R2JTDG | 3650 1008 2.2uH 5% 2K RL |
| 2700 | 5% | 50 | 36502C2R7JTDG | 3650 1008 2.7uH 5% 2K RL |
| 3300 | 5% | 50 | 36502C3R3JTDG | 3650 1008 3.3uH 5% 2K RL |
| 3900 | 5% | 50 | 36502C3R9JTDG | 3650 1008 3.9uH 5% 2K RL |
| 4700 | 5% | 50 | 36502C4R7JTDG | 3650 1008 4.7uH 5% 2K RL |
| 5600 | 5% | 50 | 36502C5R6JTDG | 3650 1008 5.6uH 5% 2K RL |
| 6800 | 5% | 50 | 36502C6R8JTDG | 3650 1008 6.8uH 5% 2K RL |
| 8200 | 5% | 50 | 36502C8R2JTDG | 3650 1008 8.2uH 5% 2K RL |
| 10000 | 5% | 50 | 36502C103JTDG | 3650 1008 10uH 5% 2K RL |
| 12000 | 5% | 50 | 36502C123JTDG | 3650 1008 12uH 5% 2K RL |
| 15000 | 5% | 50 | 36502C153JTDG | 3650 1008 15uH 5% 2K RL |

TE Connectivity, TE connectivity (logo) and TE (logo) are trademarks.
Other logos, product and Company names mentioned herein may be trademarks of their respective owners.

While TE has made every reasonable effort to ensure the accuracy of the information in this datasheet, TE does not guarantee that it is error-free, nor does TE make any other representation, warranty or guarantee that the information is accurate, correct, reliable or current. TE reserves the right to make any adjustments to the information contained herein at any time without notice. TE expressly disclaims all implied warranties regarding the information contained herein, including, but not limited to, any implied warranties of merchantability or fitness for a particular purpose. The dimensions in this datasheet are for reference purposes only and are subject to change without notice. Specifications are subject to change without notice. Consult TE for the latest dimensions and design specifications.

AMEYA360

Components Supply Platform

Authorized Distribution Brand :



Website :

Welcome to visit www.ameya360.com

Contact Us :

➤ Address :

401 Building No.5, JiuGe Business Center, Lane 2301, Yishan Rd
Minhang District, Shanghai , China

➤ Sales :

Direct +86 (21) 6401-6692

Email amall@ameya360.com

QQ 800077892

Skype [ameyasales1](#) [ameyasales2](#)

➤ Customer Service :

Email service@ameya360.com

➤ Partnership :

Tel +86 (21) 64016692-8333

Email mkt@ameya360.com