

THE INFORMATION CONTAINED HEREIN IS CONSIDERED 'PROPRIETARY' TO BEL FUSE INC. AND SHALL NOT BE COPIED, REPRODUCED OR DISCLOSED WITHOUT THE WRITTEN APPROVAL OF BEL FUSE INC.

RoHS
2002/95/EC



ELECTRICAL CHARACTERISTICS @ 25°C

URNS RATIO

TP1	1CT : 1CT ±2%
TP2	1CT : 1CT ±2%
TP3	1CT : 1CT ±2%
TP4	1CT : 1CT ±2%

□CL @ 100kHz/100mVRMS

8mA DC BIAS 350μH MIN.

INS. LOSS

0.1MHz TO 1MHz	-1.1 dB MAX
1MHz TO 65MHz	-0.5 dB MAX
65MHz TO 100MHz	-0.8 dB MAX
100MHz TO 125MHz	-1.2 dB MAX

RET. LOSS (MIN)

0.5MHz-40MHz	-18 dB
40MHz-100MHz	-12+20LOG(f/80MHz) dB

CM TO CM REJ

100kHz - 100MHz -30 dB MIN

CM TO DM REJ

100kHz - 100MHz -35 dB MIN

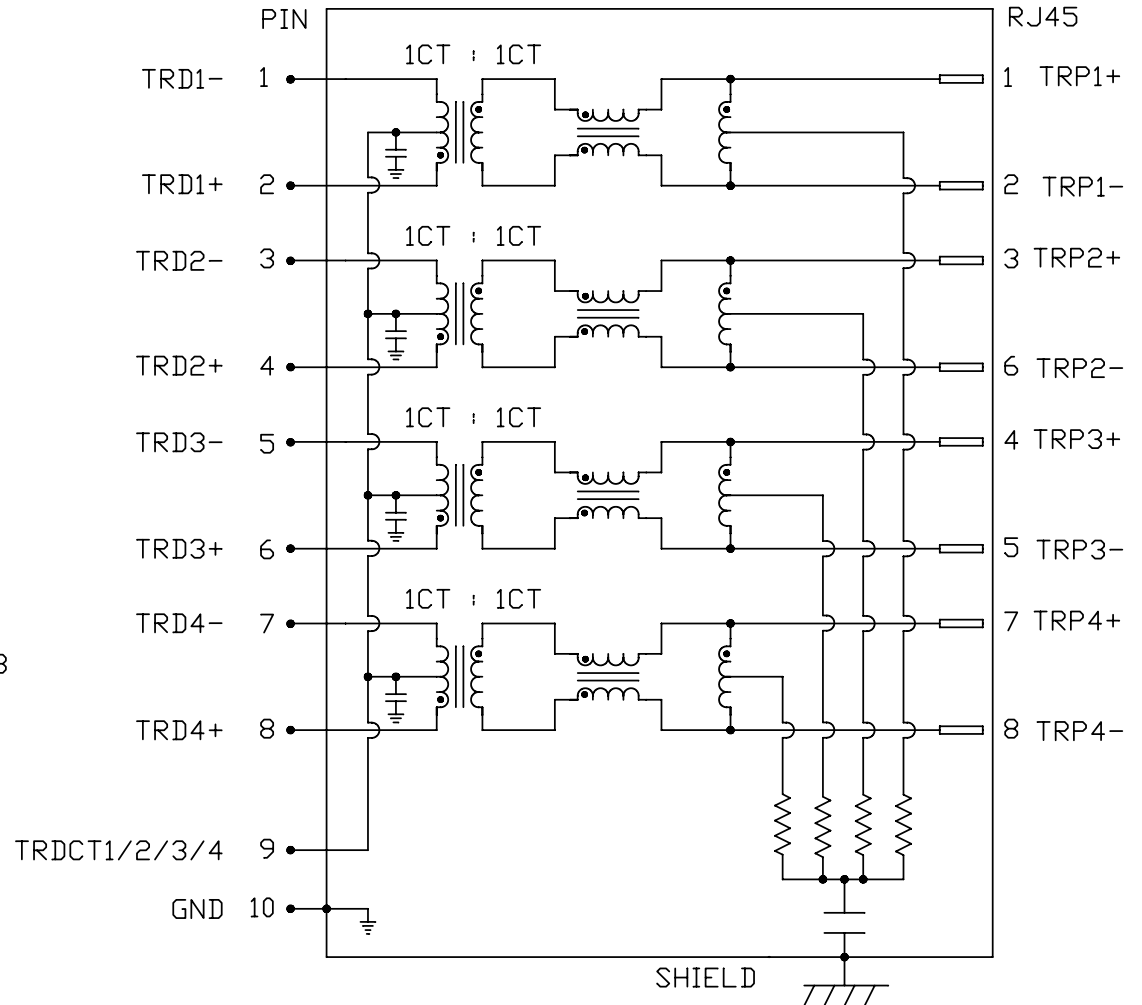
HIPOT (Isolation Voltage):

1500 Vrms

100% OF PRODUCTION TESTED TO COMPLY

WITH IEEE 802.3 ISOLATION REQUIREMENT

SCHEMATIC



ORIGINATED BY	DATE
CHOW WANGCHUNG	04-08-10
DRAWN BY	DATE
LEE WEIDE	04-08-10

TITLE
2X8 gigabit MagJack® (12 Cores) 0833-2X8R-33-F PATENTED

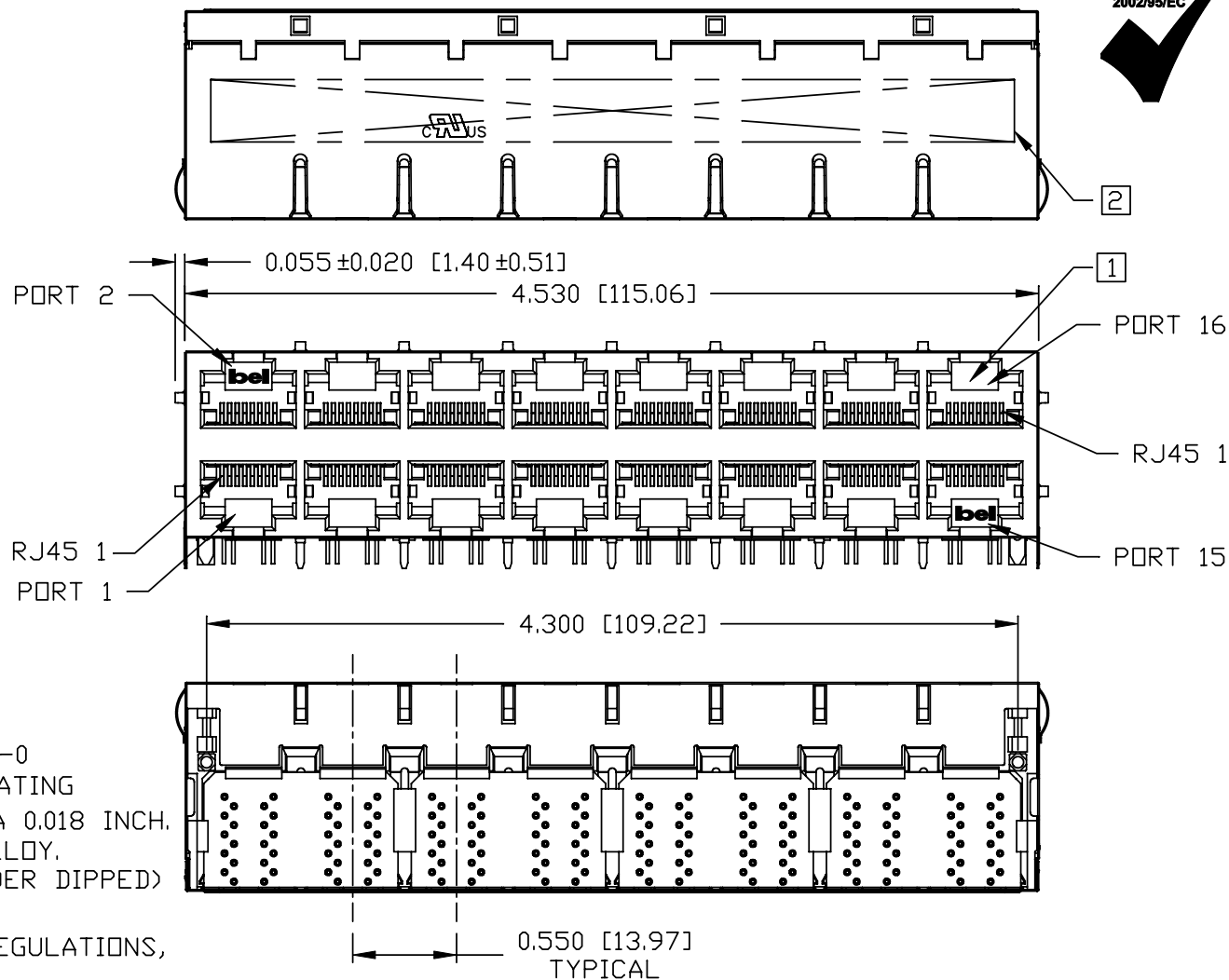
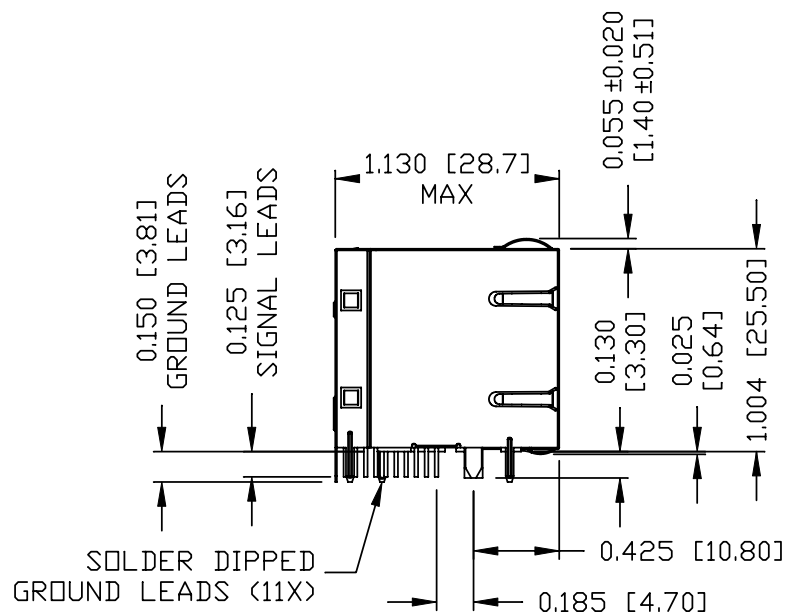
PART NO. / DRAWING NO.
08332X8R33-F
FILE NAME
08332X8R33-F_B.DWG

STANDARD DIM.	[] METRIC DIM. AS REFERENCE
TOL. IN INCH	UNIT : INCH [mm]
.X	SCALE : N/A
.XX	REV. : B
.XXX	SIZE : A4
	PAGE : 2

UNIT : INCH [mm]	REV. : B
SCALE : N/A	SIZE : A4
	PAGE : 2



THE INFORMATION CONTAINED HEREIN IS CONSIDERED "PROPRIETARY" TO BEL FUSE INC. AND SHALL NOT BE COPIED, REPRODUCED OR DISCLOSED WITHOUT THE WRITTEN APPROVAL OF BEL FUSE INC.



NOTES:

- PLASTIC HOUSING: THERMOPLASTIC PBT
FLAMMABILITY RATING UL 94V-0
 - CONTACT PLATING: 50 MICRO-INCH HARD GOLD PLATING
 - OUTPUT PINS: TIN-COATED COPPER WIRE, DIA 0.018 INCH.
 - METAL SHIELD: NICKEL PLATED ON COPPER ALLOY.
(ALL GROUND LEADS ARE SOLDER DIPPED)
- RoHS COMPLIANT, PER EU DIRECTIVE 2002/95/EC.

1. JACK CAVITY CONFORMS TO FCC RULES AND REGULATIONS, PART 68 SUBPART F.

2. MARK PART WITH MFG LOGO, MFG NAME, PART NUMBER, AND DATE CODE AND PATENTED.

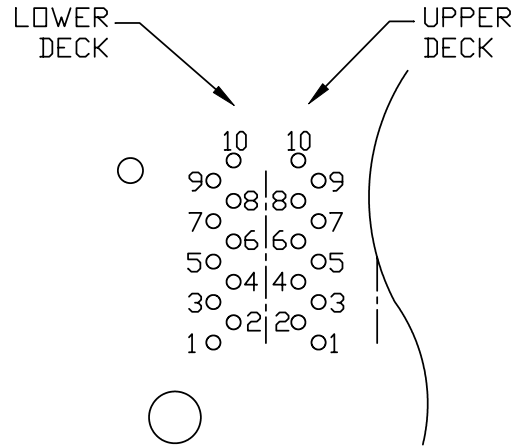
USUL RECOGNIZED - FILE #E196366 AND E169987.

3. THE PRODUCT IS PATENTED, THE PATENT NUMBER ARE U.S. PAT. 5,736,910 AND U.S. PAT. 6,840,817.

ORIGINATED BY	DATE	TITLE	PART NO. / DRAWING NO.	STANDARD DIM. TOL. IN INCH	[] METRIC DIM. AS REFERENCE	 COMPONENTS FOR A CONNECTED PLANET	
CHEN BILL	04-08-10	2X8 gigabit MagJack® (12 Cores) 0833-2X8R-33-F PATENTED	08332X8R33-F	.X	UNIT : INCH [mm]		REV. : B
DRAWN BY	DATE		FILE NAME	.XX	SCALE : N/A		SIZE : A4
XIAN JIAXIN	04-08-10		08332X8R33-F_B.DWG	.XXX	±0.010		PAGE : 3

THE INFORMATION CONTAINED HEREIN IS CONSIDERED "PROPRIETARY" TO BEL FUSE INC. AND SHALL NOT BE COPIED, REPRODUCED OR DISCLOSED WITHOUT THE WRITTEN APPROVAL OF BEL FUSE INC.

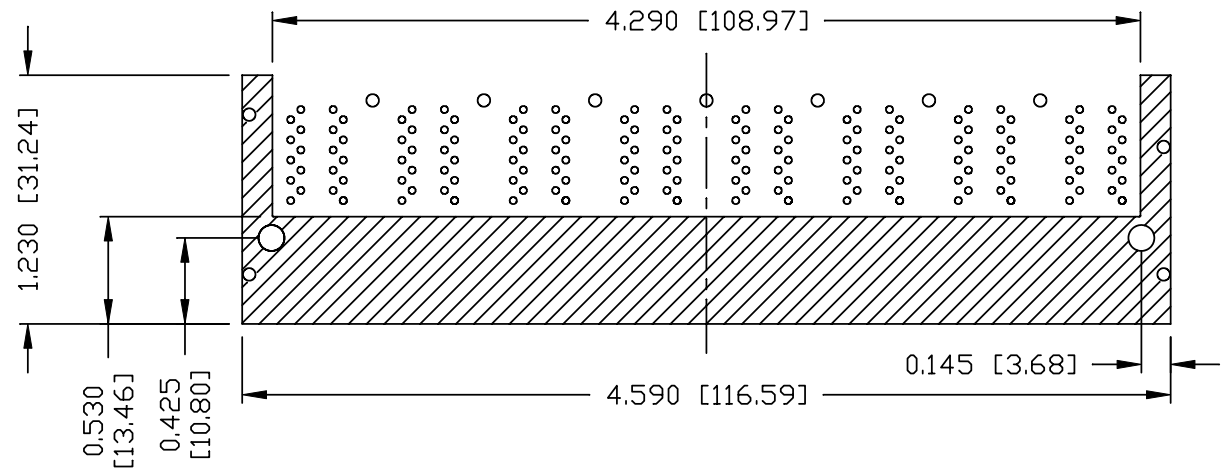
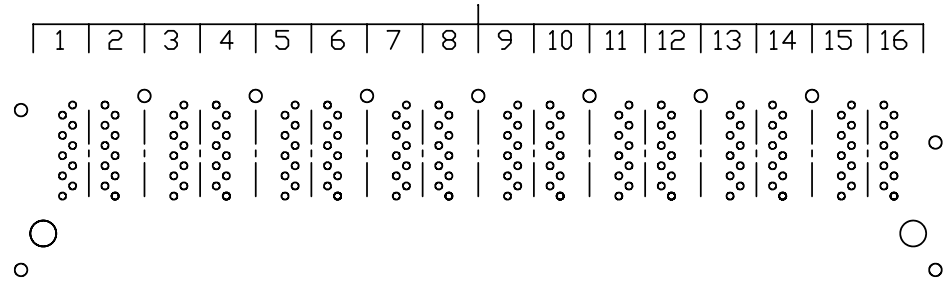
RoHS
2002/95/EC



PIN-OUT INFORMATION
(COMPONENT SIDE VIEW)

10	GND
9	TRCT1/2/3/4
8	TRD 4+
7	TRD 4-
6	TRD 3+
5	TRD 3-
4	TRD 2+
3	TRD 2-
2	TRD 1+
1	TRD 1-

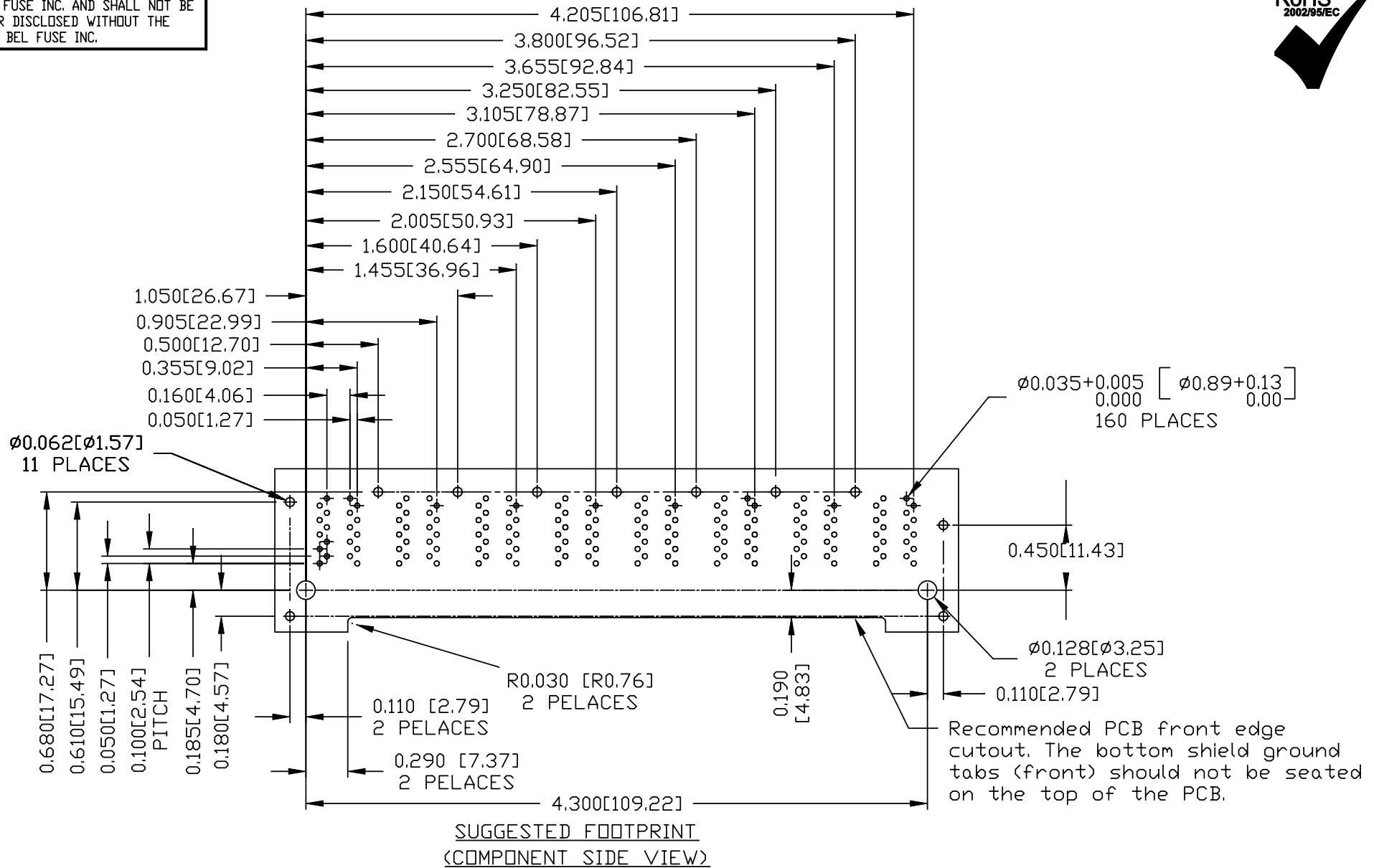
PORT ASSIGNMENT
(COMPONENT SIDE VIEW)



THE SHADED AREA ON THE CUSTOMER BOARD ARE RECOMMENDED TO BE CLEAR OFF ANY VIA HOLE OR COMPONENT PAD.

ORIGINATED BY CHEN BILL	DATE 04-08-10	TITLE 2X8 gigabit MagJack® (12 Cores) 0833-2X8R-33-F PATENTED	PART NO. / DRAWING NO. 08332X8R33-F	STANDARD DIM. TOL. IN INCH		[] METRIC DIM. AS REFERENCE		bel COMPONENTS FOR A CONNECTED PLANET
				.X		UNIT : INCH [mm]	REV. : B	
DRAWN BY XIAN JIAXIN	DATE 04-08-10		FILE NAME 08332X8R33-F_B.DWG	.XX		SCALE : N/A	SIZE : A4	
				.XXX	±0.004		PAGE : 4	

THE INFORMATION CONTAINED HEREIN IS CONSIDERED "PROPRIETARY" TO BEL FUSE INC. AND SHALL NOT BE COPIED, REPRODUCED OR DISCLOSED WITHOUT THE WRITTEN APPROVAL OF BEL FUSE INC.



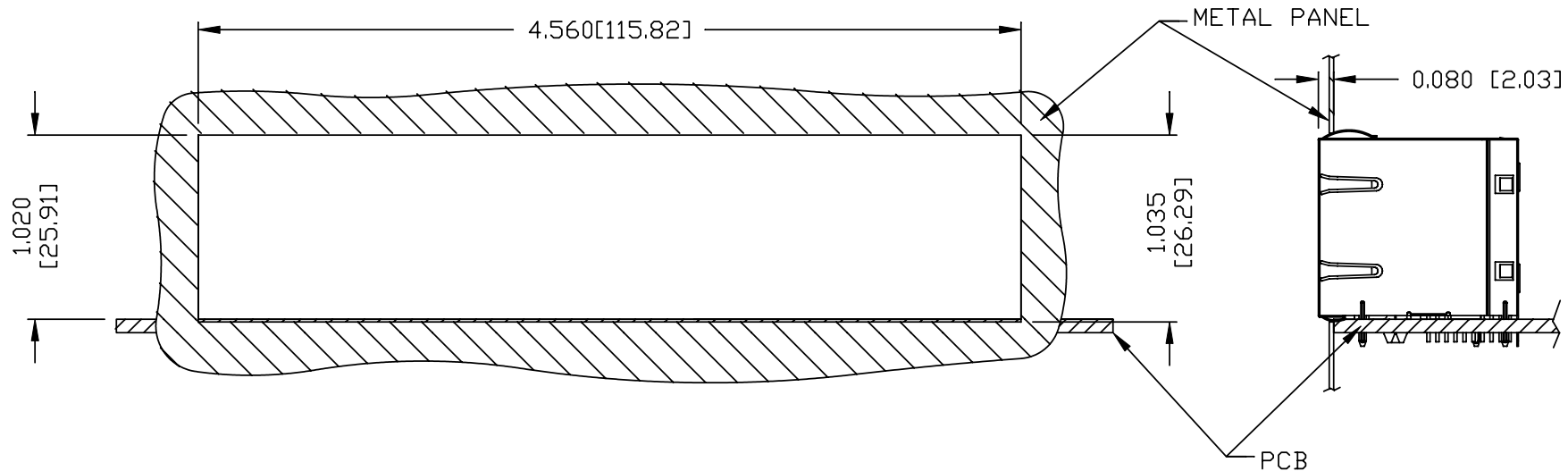
ORIGINATED BY CHEN BILL	DATE 04-08-10	TITLE 2X8 gigabit MagJack® (12 Cores) 0833-2X8R-33-F PATENTED	PART NO. / DRAWING NO. 08332X8R33-F	STANDARD DIM. TOL. IN INCH .X .XX .XXX ±0.004	[] METRIC DIM. AS REFERENCE		REV. : B	bel COMPONENTS FOR A CONNECTED PLANET
DRAWN BY XIAN JIAXIN	DATE 04-08-10		FILE NAME 08332X8R33-F_B.DWG		UNIT : INCH [mm]	SCALE : N/A		
							PAGE : 5	

THE INFORMATION CONTAINED HEREIN IS CONSIDERED "PROPRIETARY" TO BEL FUSE INC. AND SHALL NOT BE COPIED, REPRODUCED OR DISCLOSED WITHOUT THE WRITTEN APPROVAL OF BEL FUSE INC.

RoHS
2002/95/EC



SUGGESTED PANEL OPENING



NOTE:

THE DISTANCE OF PANEL INSIDE SURFACE RELATIVE TO FRONT SURFACE OF PART IS ONLY A SUGGESTION. IN CASE THIS DISTANCE IS DIFFERENT, THE REQUIRED PANEL OPENING DIMENSIONS CHANGE ACCORDINGLY.

PACKING INFORMATION

PACKING TRAY : 0200-9999-B2 (TOP)
0200-9999-B1 (BOTTOM)

PACKING QUANTITY : 10 PCS FINISHED GOODS PER TRAY
7 TRAY (70 PCS FINISHED GOODS) PER CARTON BOX

NOTE : CARDBOARDS ARE PLACED BETWEEN LAYERS OF PACKING TRAY INSIDE CARTON BOX
(INCLUDE THE UPPERMOST AND LOWERMOST TRAY)

ORIGINATED BY CHEN BILL	DATE 04-08-10	TITLE 2X8 gigabit MagJack® (12 Cores) 0833-2X8R-33-F PATENTED	PART NO. / DRAWING NO. 08332X8R33-F	STANDARD DIM. TOL. IN INCH		[] METRIC DIM. AS REFERENCE		REV. : B	bel
				.X		UNIT : INCH [mm]	SIZE : A4		
DRAWN BY XIAN JIAXIN	DATE 04-08-10		FILE NAME 08332X8R33-F_B.DWG	.XX		SCALE : N/A	PAGE : 6	COMPONENTS FOR A CONNECTED PLANET	
				.XXX	±0.004				

AMEYA360

Components Supply Platform

Authorized Distribution Brand :



Website :

Welcome to visit www.ameya360.com

Contact Us :

➤ Address :

401 Building No.5, JiuGe Business Center, Lane 2301, Yishan Rd
Minhang District, Shanghai , China

➤ Sales :

Direct +86 (21) 6401-6692

Email amall@ameya360.com

QQ 800077892

Skype [ameyasales1](#) [ameyasales2](#)

➤ Customer Service :

Email service@ameya360.com

➤ Partnership :

Tel +86 (21) 64016692-8333

Email mkt@ameya360.com