

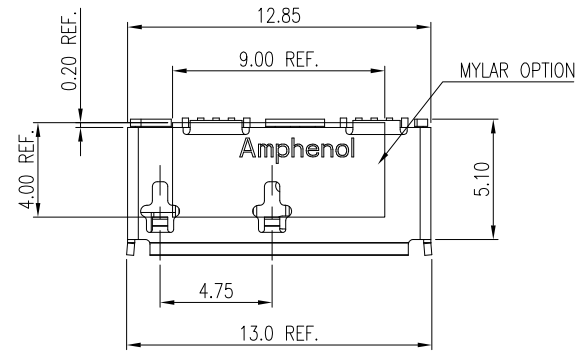
This document is the property of Amphenol Corporation and is delivered on the express condition that it is not to be disclosed, reproduced or used, in whole or in part, for manufacture or sale by anyone other than Amphenol Corporation without its prior consent, and that no right is granted to disclose or to use any information in this document.

The marking on this product doesn't contain environmental hazardous material and must follow one or more specifications per Material Specification SS-00259 for Sony GP compliant or per directive 2002/95/EC for RoHS compliant or per IEC 61249-2-21 for Halogen Free compliant.



ORIGINAL

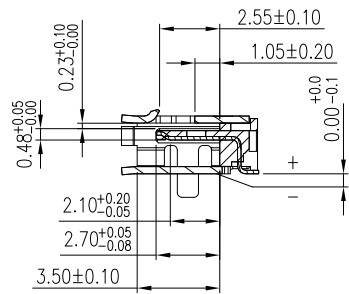
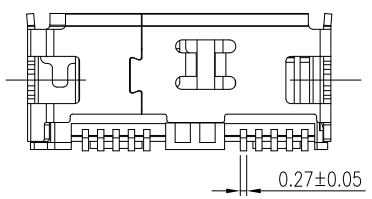
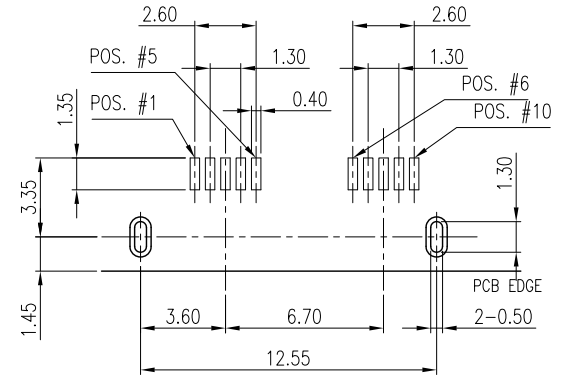
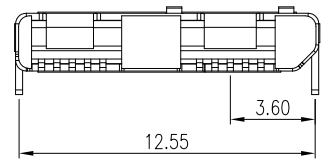
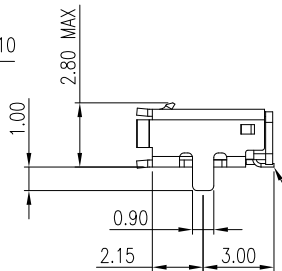
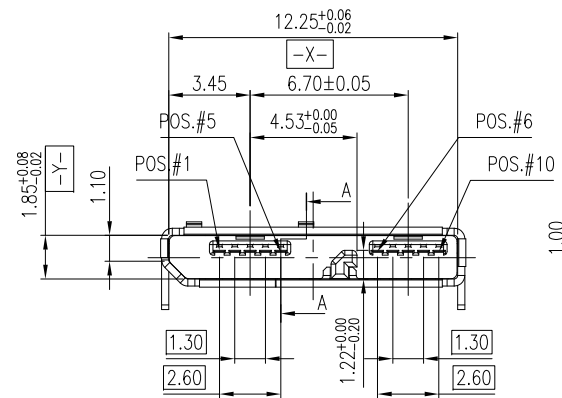
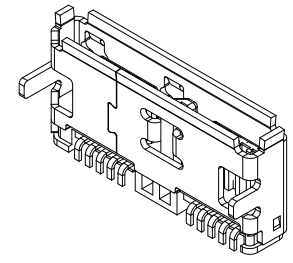
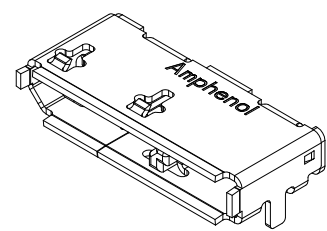
REVISIONS				
SYM	ECN No.	DESCRIPTION	DATE	BY
A		RELEASE TO PRODUCTION	06/09/2010	Sondra Sang
B	NE-10151	MODIFIED PCB LAYOUT	09/17/2010	Sondra Sang



PART NUMBER:  
GSB3 43K 3 3 X HR

CONTACT FINISH:  
3: 30μ" GOLD

VARIATION CODE  
BLANK: STANDARD T&R PACKING  
A: W/ MYLAR, T&R PACKING



RECOMMENDED PCB LAYOUT- TOP VIEW  
(GENERAL TOLERANCE: ±0.05)

- NOTES:
- HOUSING: HIGH TEMP. THERMOPLASTIC, UL 94V-0, COLOR- BLACK
  - CONTACT: COPPER ALLOY, 0.15mm THICKNESS, 30μ" MIN. GOLD PLATED ON CONTACT AREA, GOLD FLASH PLATED ON SOLDERING TAIL, 80μ" MIN. NICKEL UNDER-PLATED OVERALL
  - METAL SHELL: STAINLESS, 0.3mm THICKNESS, GOLD FLASH PLATED ON THE SOLDERING TABS
  - MYLAR: 4.0 x 9.0 mm
  - THIS PRODUCT DOESN'T CONTAIN ENVIRONMENTAL HAZARDOUS MATERIALS PER DIRECTIVE 2002/95/EC FOR RoHS AND PER IEC 61249-2-21 FOR HALOGEN FREE COMPLIANT.

TOLERANCE	APPROVALS	DATE	TITLE	Amphenol® Amphenol Corporation Amphenol Taiwan Corporation			
X. ±0.30	DRAWN <b>Sondra Sang</b>	09/17/10	USB 3.0 CONNECTOR MICRO_B, RECEPTACLE R/A SMT, SHELL DIP TYPE	UNIT	SIZE	PART No.	GSB3 43K 33X HR
X.XX ±0.20	CHECKED <b>Chenny Yeh</b>	09/17/10		mm	A3		
X.XXX ±0.10	APPROVED <b>Hank Hsu</b>	09/17/10		SCALE	SHEET	DWG No.	
ANGULAR ±1°	DWG TYPE <b>CUST DWG</b>	PROJECT CODE <b>T503</b>		NA	1 OF 1	REV. <b>B</b>	
UNLESS OTHERWISE SPECIFIED							

# AMEYA360

## Components Supply Platform

### Authorized Distribution Brand :



### Website :

Welcome to visit [www.ameya360.com](http://www.ameya360.com)

### Contact Us :

#### ➤ Address :

401 Building No.5, JiuGe Business Center, Lane 2301, Yishan Rd  
Minhang District, Shanghai , China

#### ➤ Sales :

Direct +86 (21) 6401-6692

Email [amall@ameya360.com](mailto:amall@ameya360.com)

QQ 800077892

Skype [ameyasales1](#) [ameyasales2](#)

#### ➤ Customer Service :

Email [service@ameya360.com](mailto:service@ameya360.com)

#### ➤ Partnership :

Tel +86 (21) 64016692-8333

Email [mkt@ameya360.com](mailto:mkt@ameya360.com)