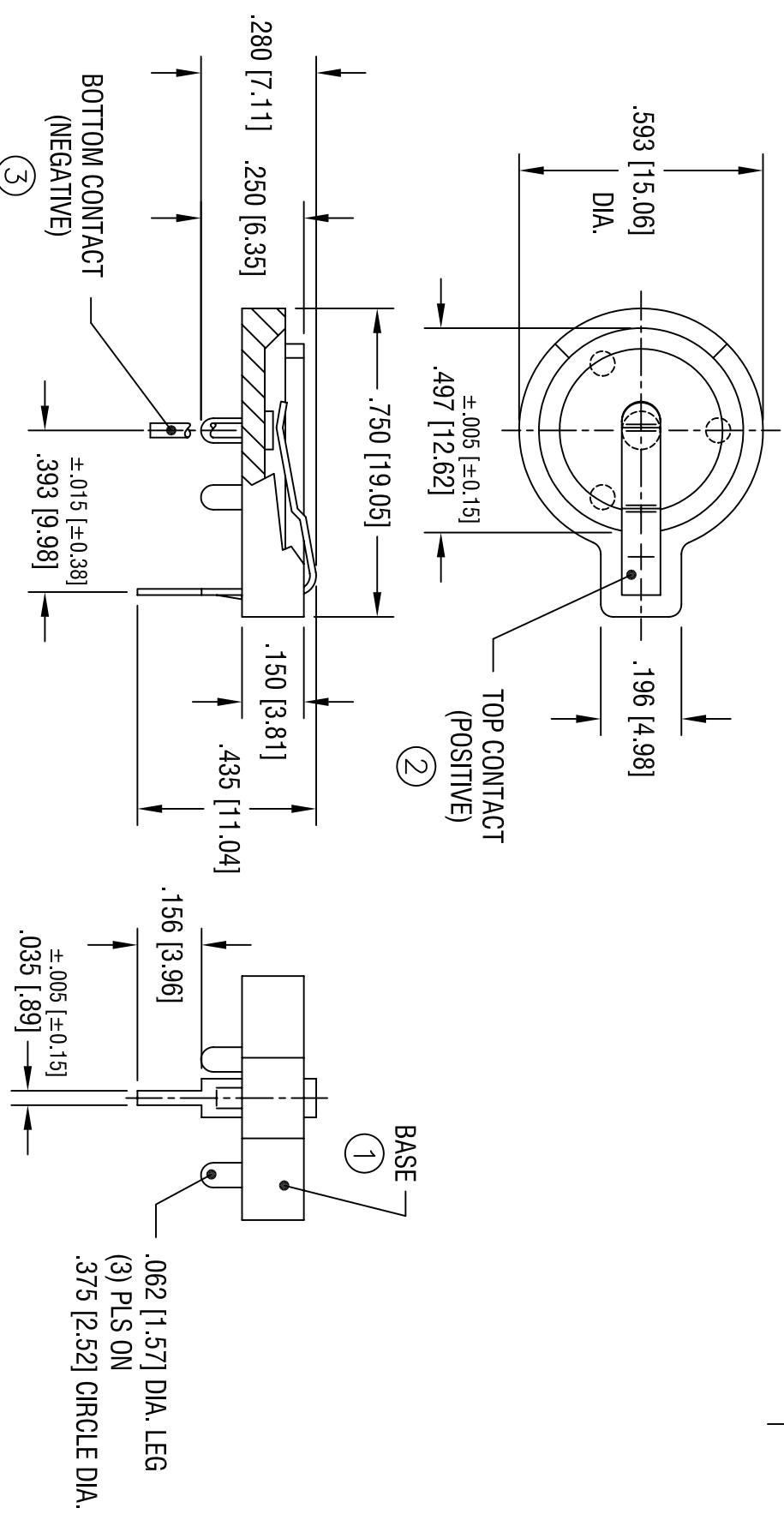
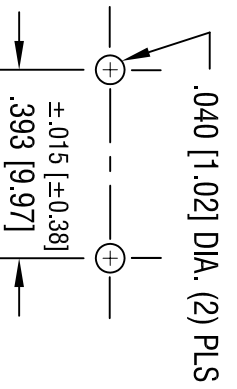


DATE	DESCRIPTION	REV.
2.9.05	CHANGE AS PER ECN 05-013	H



**MOUNTING DETAIL**



ITEM	DESCRIPTION/MATERIAL
①	BASE, BLACK PBT (UL 94V-0)
②	TOP CONTACT .015 [0.38] TH'K SPRING STEEL
③	BOTTOM CONTACT .035 [0.89] DIA. STEEL

FINISH
TIN NICKEL PLATE

**KEYSTONE ELECTRONICS CORP.**  
ASTORIA, N.Y. 11105-2017

PART NAME  
12mm PC BATTERY HOLDER

MATERIAL  
AS NOTED

FINISH  
AS NOTED

TOLERANCES	INCH	[MM]	CODE	DWG NO.
DECIMAL	± .010	[± 0.25 ]	C	500
ANGULAR	± 1°			

THIS DOCUMENT IS THE PROPERTY OF  
KEYSTONE ELECTRONICS CORP. AND  
SHALL NOT BE REPRODUCED, DISTRIBUTED  
OR USED AS A BASIS FOR MANUFACTURE  
WITHOUT PRIOR WRITTEN PERMISSION  
FROM KEYSTONE ELECTRONICS CORP.

DRN BY: BOONE  
DATE: 1.4.91  
App'd: LN  
SCALE: 2.5X

# AMEYA360

## Components Supply Platform

Authorized Distribution Brand :



Website :

Welcome to visit [www.ameya360.com](http://www.ameya360.com)

Contact Us :

➤ Address :

401 Building No.5, JiuGe Business Center, Lane 2301, Yishan Rd  
Minhang District, Shanghai , China

➤ Sales :

Direct +86 (21) 6401-6692

Email [amall@ameya360.com](mailto:amall@ameya360.com)

QQ 800077892

Skype [ameyasales1](#) [ameyasales2](#)

➤ Customer Service :

Email [service@ameya360.com](mailto:service@ameya360.com)

➤ Partnership :

Tel +86 (21) 64016692-8333

Email [mkt@ameya360.com](mailto:mkt@ameya360.com)