

Unshielded Radial Power Inductor

AIUR-16 Series



RoHS/RoHS II compliant



9.50 x ϕ 7.00mm

FEATURES:

- Ferrite core with heat shrink tube
- High Reliability

APPLICATIONS:

- Switching Power Supplies
- Noise Filtering
- DC to DC Converters
- Electronic Household Appliances
- Buzzers and Alarm Systems
- Television and Audio Equipment

STANDARD SPECIFICATIONS:

PARAMETERS

| | |
|------------------------|-----------------|
| ABRACON P/N: | AIUR-16 Series |
| Operating temperature: | -25°C to + 85°C |
| Storage temperature: | -25°C to + 85°C |

| Part Number AIUR-16- Inductance Code | Inductance | Tolerance | DCR (Max) | Saturation Current (Max) | Temperature Rise Current (Max) | Marking |
|--|------------|-----------|-----------|--------------------------------|--------------------------------------|---------|
| Units | μ H | % | Ω | A | A | |
| Symbol | L | | DCR | Isat | Irms | |
| AIUR-16-3R9 | 3.9 | K | 0.020 | 2.700 | 1.300 | 3R9K |
| AIUR-16-4R7 | 4.7 | K | 0.022 | 2.500 | 1.300 | 4R7K |
| AIUR-16-5R6 | 5.6 | K | 0.027 | 2.300 | 1.300 | 5R6K |
| AIUR-16-6R8 | 6.8 | K | 0.029 | 2.100 | 1.300 | 6R8K |
| AIUR-16-8R2 | 8.2 | K | 0.036 | 1.900 | 1.300 | 8R2K |
| AIUR-16-100 | 10 | K | 0.041 | 1.700 | 1.300 | 100K |
| AIUR-16-120 | 12 | K | 0.046 | 1.550 | 1.300 | 120K |
| AIUR-16-150 | 15 | K | 0.050 | 1.400 | 1.300 | 150K |
| AIUR-16-180 | 18 | K | 0.062 | 1.300 | 1.000 | 180K |
| AIUR-16-220 | 22 | K | 0.071 | 1.200 | 1.000 | 220K |
| AIUR-16-270 | 27 | K | 0.073 | 1.100 | 1.000 | 270K |
| AIUR-16-330 | 33 | K | 0.090 | 0.920 | 0.800 | 330K |
| AIUR-16-390 | 39 | K | 0.102 | 0.840 | 0.800 | 390K |
| AIUR-16-470 | 47 | K | 0.120 | 0.760 | 0.800 | 470K |
| AIUR-16-560 | 56 | K | 0.162 | 0.700 | 0.620 | 560K |
| AIUR-16-680 | 68 | K | 0.186 | 0.660 | 0.620 | 680K |
| AIUR-16-820 | 82 | K | 0.240 | 0.580 | 0.490 | 820K |
| AIUR-16-101 | 100 | K | 0.270 | 0.530 | 0.490 | 101K |
| AIUR-16-121 | 120 | K | 0.310 | 0.460 | 0.490 | 121K |
| AIUR-16-151 | 150 | K | 0.372 | 0.440 | 0.490 | 151K |
| AIUR-16-181 | 180 | K | 0.456 | 0.390 | 0.385 | 181K |
| AIUR-16-221 | 220 | K | 0.535 | 0.350 | 0.385 | 221K |
| AIUR-16-271 | 270 | K | 0.625 | 0.320 | 0.385 | 271K |
| AIUR-16-331 | 330 | K | 0.816 | 0.300 | 0.300 | 331K |
| AIUR-16-391 | 390 | K | 1.000 | 0.280 | 0.250 | 391K |
| AIUR-16-471 | 470 | K | 1.200 | 0.240 | 0.250 | 471K |
| AIUR-16-561 | 560 | K | 1.300 | 0.225 | 0.250 | 561K |
| AIUR-16-681 | 680 | K | 1.800 | 0.210 | 0.190 | 681K |
| AIUR-16-821 | 820 | K | 2.100 | 0.190 | 0.190 | 821K |
| AIUR-16-102 | 1000 | K | 3.000 | 0.165 | 0.150 | 102K |
| AIUR-16-122 | 1200 | K | 3.300 | 0.155 | 0.150 | 122K |
| AIUR-16-152 | 1500 | K | 3.500 | 0.135 | 0.150 | 152K |
| AIUR-16-182 | 1800 | K | 5.700 | 0.125 | 0.120 | 182K |
| AIUR-16-222 | 2200 | K | 6.200 | 0.115 | 0.095 | 222K |
| AIUR-16-272 | 2700 | K | 7.600 | 0.105 | 0.095 | 272K |
| AIUR-16-332 | 3300 | K | 8.500 | 0.096 | 0.095 | 332K |
| AIUR-16-392 | 3900 | K | 10.30 | 0.084 | 0.076 | 392K |
| AIUR-16-472 | 4700 | K | 11.30 | 0.076 | 0.076 | 472K |
| AIUR-16-562 | 5600 | K | 13.00 | 0.070 | 0.076 | 562K |
| AIUR-16-682 | 6800 | K | 17.00 | 0.064 | 0.060 | 682K |

ABRACON IS
ISO 9001:2008
CERTIFIED



ABRACON
CORPORATION

Visit www.abracon.com for Terms & Conditions of Sale
30332 Esperanza, Rancho Santa Margarita, California 92688
tel 949-546-8000 | fax 949-546-8001 | www.abracon.com

Revised: 07.26.12

Unshielded Radial Power Inductor

AIUR-16 Series



RoHS/RoHS II compliant



9.50 x ϕ 7.00mm

| Part Number AIUR-16- Inductance Code | Inductance | Tolerance | DCR (Max) | Saturation Current (Max) | Temperature Rise Current (Max) | Marking |
|--|------------|-----------|-----------|--------------------------------|--------------------------------------|---------|
| Units | μ H | % | Ω | A | A | |
| Symbol | L | | DCR | Isat | Irms | |
| AIUR-16-822 | 8200 | K | 20.00 | 0.057 | 0.060 | 822K |
| AIUR-16-103 | 10000 | K | 27.00 | 0.053 | 0.046 | 103K |
| AIUR-16-123 | 12000 | K | 31.00 | 0.047 | 0.046 | 123K |
| AIUR-16-153 | 15000 | K | 45.00 | 0.043 | 0.036 | 153K |
| AIUR-16-183 | 18000 | K | 51.00 | 0.038 | 0.036 | 183K |
| AIUR-16-223 | 22000 | K | 60.00 | 0.035 | 0.030 | 223K |
| AIUR-16-273 | 27000 | K | 66.00 | 0.033 | 0.030 | 273K |
| AIUR-16-333 | 33000 | K | 100.0 | 0.029 | 0.030 | 333K |

Test Conditions and equipments

Test frequency: 10kHz, 0.1Vrms

DCR: QuadTech Milliohmmeter

Isat: 5% typical inductance drops from initial value

Irms: Δ T of 30°C max.

PART NUMBER IDENTIFICATION

AIUR-16-

Packaging 200pcs/box

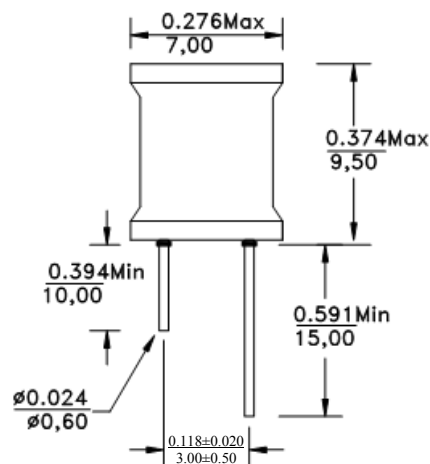
Inductance Code

Please refer to the
Electrical Spec Table

Tolerance

K: \pm 10%

PART NUMBER IDENTIFICATION



ATTENTION: Abracon Corporation's products are COTS – Commercial-Off-The-Shelf products; suitable for Commercial, Industrial and, where designated, Automotive Applications. Abracon's products are not specifically designed for Military, Aviation, Aerospace, Life-dependant Medical applications or any application requiring high reliability where component failure could result in loss of life and/or property. For applications requiring high reliability and/or presenting an extreme operating environment, written consent and authorization from Abracon Corporation is required. Please contact Abracon Corporation for more information.

ABRACON IS
ISO 9001:2008
CERTIFIED



Visit www.abracon.com for Terms & Conditions of Sale
30332 Esperanza, Rancho Santa Margarita, California 92688
tel 949-546-8000 | fax 949-546-8001 | www.abracon.com

Revised: 07.26.12

AMEYA360

Components Supply Platform

Authorized Distribution Brand :



Website :

Welcome to visit www.ameya360.com

Contact Us :

➤ Address :

401 Building No.5, JiuGe Business Center, Lane 2301, Yishan Rd
Minhang District, Shanghai , China

➤ Sales :

Direct +86 (21) 6401-6692

Email amall@ameya360.com

QQ 800077892

Skype [ameyasales1](#) [ameyasales2](#)

➤ Customer Service :

Email service@ameya360.com

➤ Partnership :

Tel +86 (21) 64016692-8333

Email mkt@ameya360.com