

THIS DRAWING IS UNPUBLISHED.

RELEASED FOR PUBLICATION

LOC

DIST

REVISIONS

© COPYRIGHT - By -

ALL RIGHTS RESERVED.

AF

50

P

LTR

DESCRIPTION

DATE

DWN

APVD

B

REVISED PER ECR-12-013518

26NOV2012

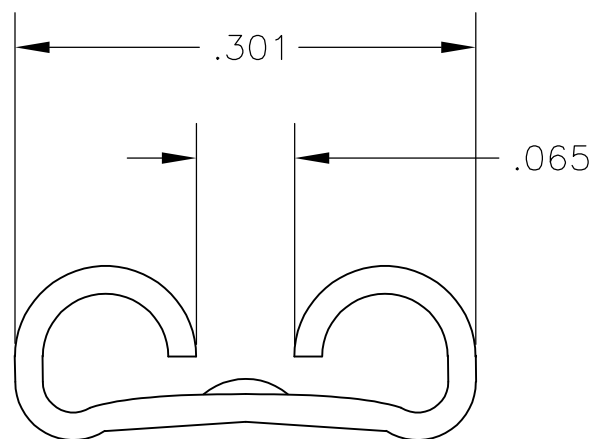
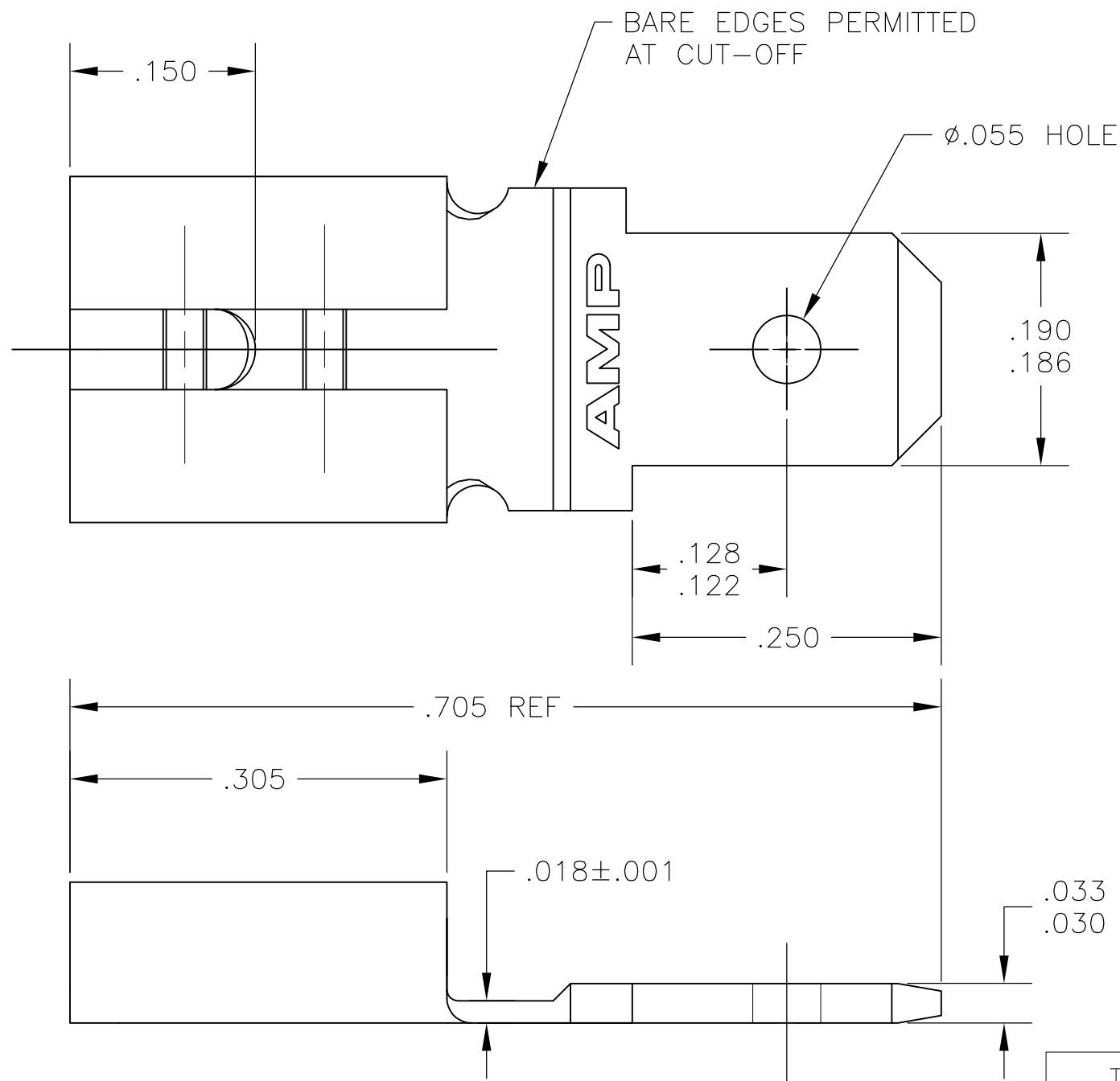
KH

PD

1 SUPPLIED IN LOOSE PIECE

2 MATING TAB THK IS $.032 \pm .001$

3 PRELIMINARY - NOT FOR PRODUCTION



TIN PLATED	3 1742597-2
---	1742597-1
FINISH	PART NO

THIS DRAWING IS A CONTROLLED DOCUMENT.		DWN	JR RUTH	11MAY07	STE TE Connectivity		
DIMENSIONS: INCHES		CHK	P DESANTIS	11MAY07			
TOLERANCES UNLESS OTHERWISE SPECIFIED:		APVD	P DESANTIS	11MAY07	NAME		
0 PLC ± -		PRODUCT SPEC		ADAPTER, FASTON, .250 SERIES RECPT WITH A .187 SERIES TAB			
1 PLC ± -		APPLICATION SPEC		-			
2 PLC ± -		SIZE	A3	CAGE CODE	00779	DRAWING NO	C-1742597
3 PLC ± .010		WEIGHT		-		RESTRICTED TO	
4 PLC ± -		CUSTOMER DRAWING					
ANGLES ± 1°		SCALE		8:1		SHEET 1 OF 1	
FINISH		-		REV		B	
MATERIAL		BRASS					

AMEYA360

Components Supply Platform

Authorized Distribution Brand :



Website :

Welcome to visit www.ameya360.com

Contact Us :

➤ Address :

401 Building No.5, JiuGe Business Center, Lane 2301, Yishan Rd
Minhang District, Shanghai , China

➤ Sales :

Direct +86 (21) 6401-6692

Email amall@ameya360.com

QQ 800077892

Skype ameyasales1 ameyasales2

➤ Customer Service :

Email service@ameya360.com

➤ Partnership :

Tel +86 (21) 64016692-8333

Email mkt@ameya360.com