



Housing Material: Polyester, Black UL94V-0  
 Contacts: Phosphor Bronze 30µin Au plating over Ni  
 Leads: Matte Sn over Ni  
 Shield: Cu Alloy with Ni plating 40µin min  
 Durability: 1000 mating cycles  
 Dimensions: Inch [mm]  
 Tolerances: ±0.008 inch if not specified

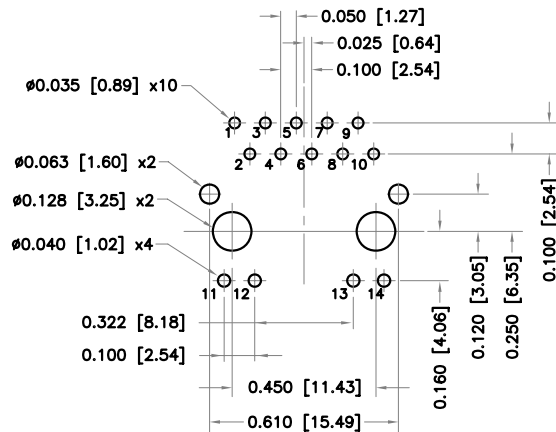
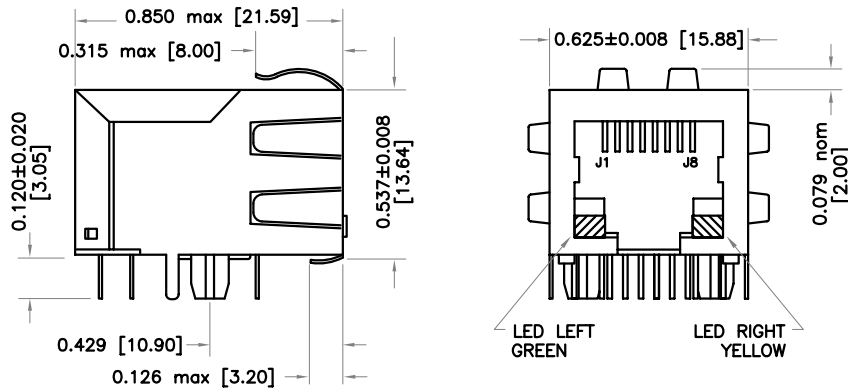


**PART NO. : HFJ11-RP22E-L12RL**

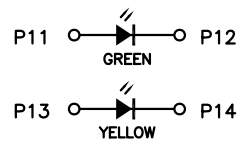
FASTJACK™ WITH 10/100BASE-TX MAGNETICS  
 POWER ON USED OR UNUSED PAIRS UP TO 350mADC  
 RoHS COMPLIANT  
 OPERATING TEMPERATURE 0 TO 55°C

**ELECTRICAL SPECIFICATIONS @ 25° C**

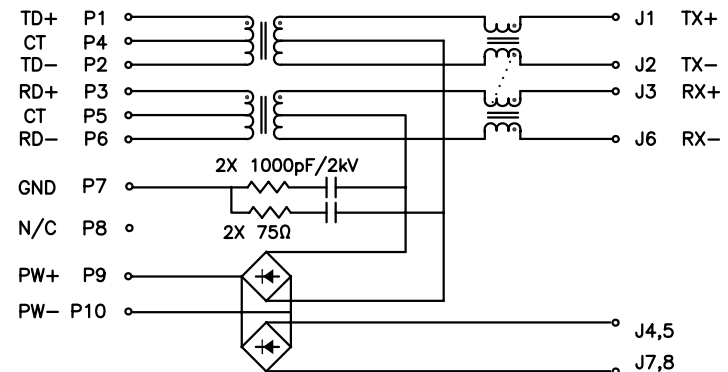
URNS RATIO	1CT:1 ±3%
OCL (100KHz,0.1Vrms,8mA)	350µH min
DCR P1-P2,P3-P6	0.9Ω max
INSERTION LOSS	-1.1dB max
0.1-100MHz	
RETURN LOSS	-18dB min
0.5-30MHz	-15.5dB min
40MHz	-13.6dB min
50MHz	-12dB min
60-80MHz	
CROSSTALK 0.1-100MHz	-38dB typ
CMR 0.1-30MHz	-50dB typ
30-60MHz	-40dB typ
60-100MHz	-30dB typ
ISOLATION	1,500Vrms



RECOMMENDED P.C. BOARD PATTERN (COMP. SIDE)



LED FORWARD VOLTAGE/  
 CURRENT: 2.1V/10mA typ



LINE



**HALO/PBL**

CALIFORNIA, USA  
 KOWLOON, HONG KONG  
 SINGAPORE

TITLE	FastJack™ SINGLE	SIGNATURES	DATE	REV.	DESC.	DATE
FOR	FAST ETHERNET IEEE802.3af	DRAWN	LI ZHI ZHONG	11/2/05	A	FIRST ISSUE
PART NO.	HFJ11-RP22E-L12RL	CHECKED	LEI KEONG	7/20/10	B	PROD. RELEASE
SCALE	NONE	APPROVED	PETER LU	7/20/10		
PAGE	1 OF 1	FILE	RP22E-L12RL.DWG			

# AMEYA360

## Components Supply Platform

Authorized Distribution Brand :



Website :

Welcome to visit [www.ameya360.com](http://www.ameya360.com)

Contact Us :

➤ Address :

401 Building No.5, JiuGe Business Center, Lane 2301, Yishan Rd  
Minhang District, Shanghai , China

➤ Sales :

Direct +86 (21) 6401-6692

Email [amall@ameya360.com](mailto:amall@ameya360.com)

QQ 800077892

Skype [ameyasales1](#) [ameyasales2](#)

➤ Customer Service :

Email [service@ameya360.com](mailto:service@ameya360.com)

➤ Partnership :

Tel +86 (21) 64016692-8333

Email [mkt@ameya360.com](mailto:mkt@ameya360.com)