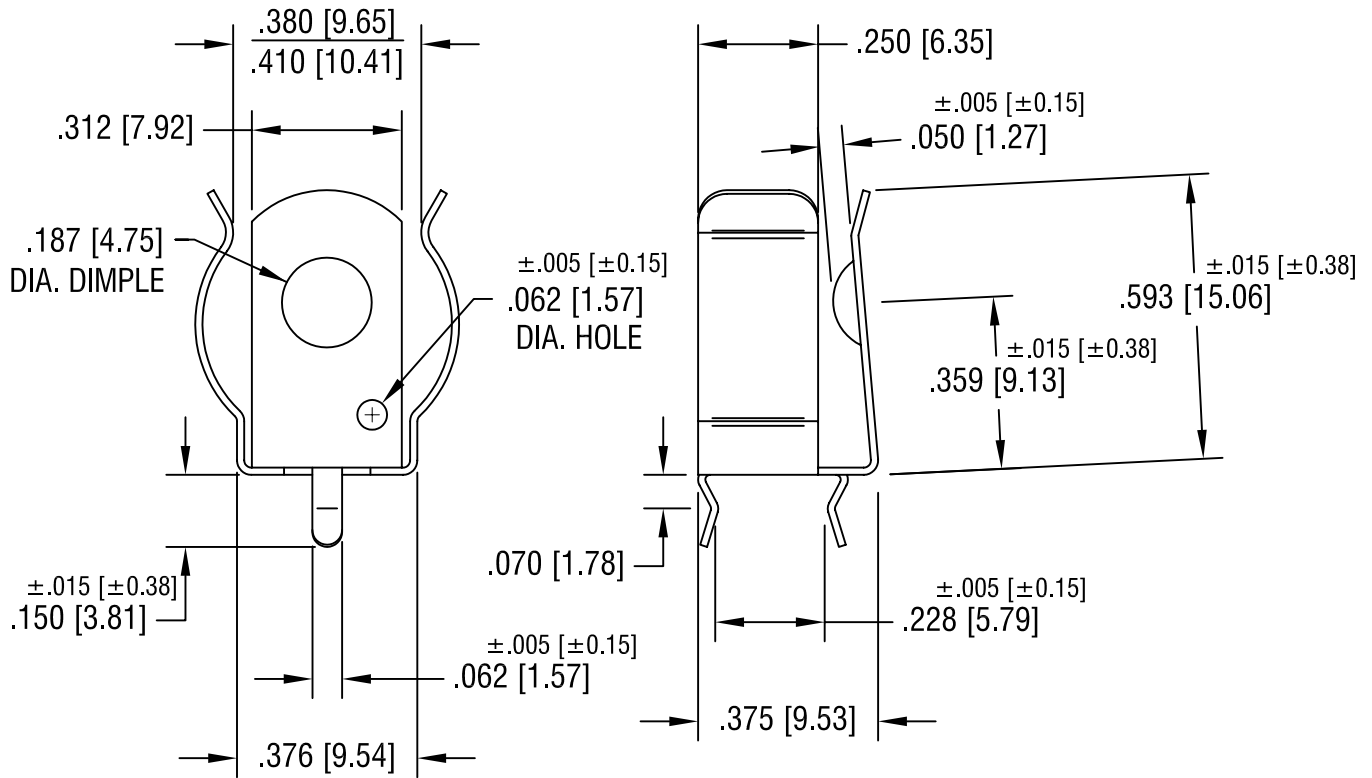
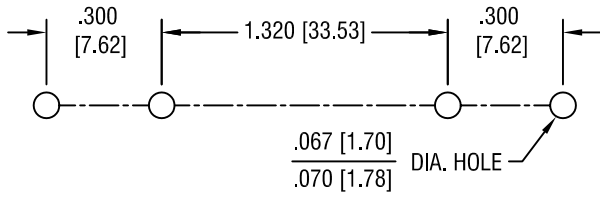


THIS DOCUMENT IS THE PROPERTY OF KEYSTONE ELECTRONICS CORP. AND SHALL NOT BE REPRODUCED, DISTRIBUTED OR USED AS A BASIS FOR MANUFACTURE WITHOUT PRIOR WRITTEN PERMISSION FROM KEYSTONE ELECTRONICS CORP.

REQUIRED SPACING FOR 'AA' CLIP



NOTE:

1. HEAT TREAT TO SPRING TEMPER.

KEYSTONE ELECTRONICS CORP.

ASTORIA, N.Y. 11105-2017

PART NAME				'A'-AA' PC BATTERY CLIP			
MATERIAL				.015 [.38] TH'K ANNEALED SPRING STEEL			
FINISH		DRN BY		DATE		SCALE	
TIN NICKEL PLATE		BOONE		4.3.01		2.5X	
APP'D		LN		DWG NO.			
TOLERANCES		INCH		[MM]		CODE	
DECIMAL		± .010		[± 0.25]		C	
ANGULAR		± 1°		UNLESS OTHERWISE SPECIFIED			
DATE				REV.			
6.19.06				B			
CHANGE AS PER ECN 06-039				C			
DESCRIPTION				2915			

6.19.06

CHANGE AS PER ECN 06-039

B

DATE

DESCRIPTION

REV.

CODE

C

DRN BY

BOONE

DATE

4.3.01

APP'D

LN

SCALE

2.5X

DWG NO.

2915

AMEYA360

Components Supply Platform

Authorized Distribution Brand :



Website :

Welcome to visit www.ameya360.com

Contact Us :

➤ Address :

401 Building No.5, JiuGe Business Center, Lane 2301, Yishan Rd
Minhang District, Shanghai , China

➤ Sales :

Direct +86 (21) 6401-6692

Email amall@ameya360.com

QQ 800077892

Skype [ameyasales1](#) [ameyasales2](#)

➤ Customer Service :

Email service@ameya360.com

➤ Partnership :

Tel +86 (21) 64016692-8333

Email mkt@ameya360.com