

# RG125DC Series

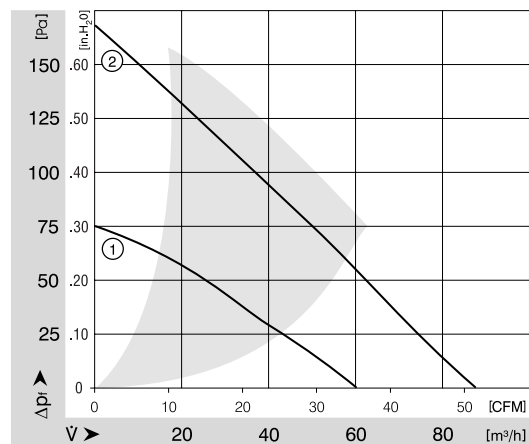
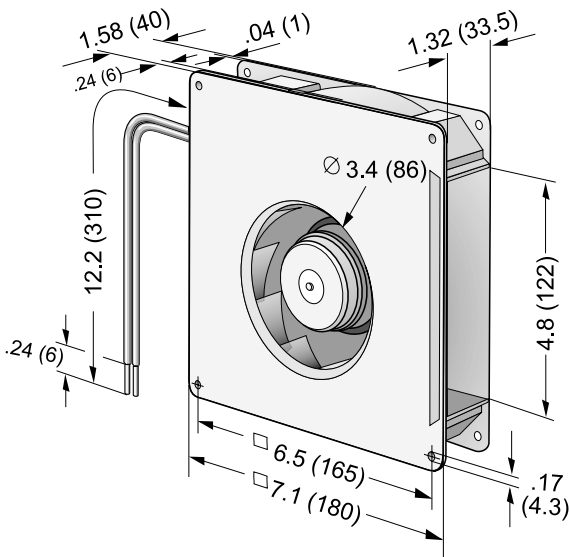
Flatpak

180x180x40mm



- DC radial blower with electronically commutated external rotor motor. Fully integrated commutation electronics.
- With electronic protection against reverse polarity, blocking and overloading by PTC-resistor; partially impedance protected.
- Spiral housing and blower of fiber-glass reinforced plastic. Housing base of galvanised steel plate.
- Radial air exhaust through housing port.
- Electrical connection via 2 leads AWG 22, TR 64. Stripped and tinned ends.
- UL, CSA, VDE approvals on some models, please contact application engineering.

Part Number	Curve	CFM @ 0	VDC	Volt. Range	Power (W)	dBa	Max. Amb. Temp C	Bearing Type	Features	Wgt. (lbs)
RG125-19/12NM	1	35.3	12	7 to 15	2	48	75	Ball	Leads	1.61
RG125-19/12N	2	51.5	12	7 to 15	5	58	75	Ball	Leads	1.61
RG125-19/14NM	1	35.3	24	12 to 28	2	48	75	Ball	Leads	1.61
RG125-19/14N	2	51.5	24	12 to 28	5	58	75	Ball	Leads	1.61
RG125-19/18N	2	51.5	48	36 to 56	5	58	75	Ball	Leads	1.61



# AMEYA360

## Components Supply Platform

Authorized Distribution Brand :



Website :

Welcome to visit [www.ameya360.com](http://www.ameya360.com)

Contact Us :

➤ Address :

401 Building No.5, JiuGe Business Center, Lane 2301, Yishan Rd  
Minhang District, Shanghai , China

➤ Sales :

Direct +86 (21) 6401-6692

Email [amall@ameya360.com](mailto:amall@ameya360.com)

QQ 800077892

Skype [ameyasales1](#) [ameyasales2](#)

➤ Customer Service :

Email [service@ameya360.com](mailto:service@ameya360.com)

➤ Partnership :

Tel +86 (21) 64016692-8333

Email [mkt@ameya360.com](mailto:mkt@ameya360.com)