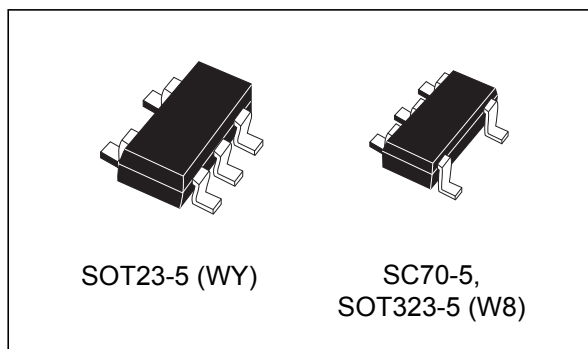


## Watchdog timer circuit

Datasheet - production data



### Applications

- Telecommunications
- Alarm systems
- Industrial equipment
- Networking
- Medical equipment
- UPS (uninterruptible power supply)

### Features

- Current consumption 13  $\mu$ A typ.
- Available watchdog timeout periods are 3.4 ms, 6.3 ms, 102 ms and 1.6 s
- Chip enable input
- Open drain or push-pull  $\overline{WDO}$  output
- Operating temperature range:  $-40$  to  $+125$  °C
- Package SOT23-5, SC70-5 (SOT323-5)
- ESD performance
  - HBM: 2000 V
  - RCDM: 1000 V

Table 1. Device summary

Order code	Temperature range	Package	Packing	Topside marking
STWD100NWWY3F	$-40/+125$ °C	SOT23-5L	Tape and reel	WNW
STWD100YNWWY3F <sup>(1)</sup>	$-40/+125$ °C	SOT23-5L (automotive grade)	Tape and reel	WYNW
STWD100NYWY3F	$-40/+125$ °C	SOT23-5L	Tape and reel	WNY
STWD100YNYWY3F <sup>(1)</sup>	$-40/+125$ °C	SOT23-5L(automotivegrade)	Tape and reel	WYNY
STWD100NPWY3F	$-40/+125$ °C	SOT23-5L	Tape and reel	WNP
STWD100YNPWY3F <sup>(1)</sup>	$-40/+125$ °C	SOT23-5L(automotivegrade)	Tape and reel	WYNP
STWD100PYW83F	$-40/+125$ °C	SOT323-5L	Tape and reel	WPY

1. Qualification and characterization according to AEC Q100 and Q003 or equivalent, advanced screening according to AEC Q001 and Q002 or equivalent

# Contents

<b>1</b>	<b>Description</b> .....	<b>5</b>
<b>2</b>	<b>Operation</b> .....	<b>7</b>
2.1	Watchdog input (WDI) .....	7
2.2	Watchdog output ( $\overline{\text{WDO}}$ ) .....	7
2.3	Chip enable input ( $\overline{\text{EN}}$ ) .....	8
2.4	Applications information .....	8
<b>3</b>	<b>Watchdog timing</b> .....	<b>10</b>
<b>4</b>	<b>Maximum ratings</b> .....	<b>15</b>
<b>5</b>	<b>DC and AC parameters</b> .....	<b>16</b>
<b>6</b>	<b>Package information</b> .....	<b>18</b>
<b>7</b>	<b>Part numbering</b> .....	<b>22</b>
<b>8</b>	<b>Package marking information</b> .....	<b>23</b>
<b>9</b>	<b>Revision history</b> .....	<b>24</b>

## List of tables

Table 1.	Device summary . . . . .	1
Table 2.	SOT23-5 and SC70-5 (SOT323-5) pin description . . . . .	5
Table 3.	Absolute maximum ratings . . . . .	15
Table 4.	Operating and AC measurement conditions . . . . .	16
Table 5.	DC and AC characteristics . . . . .	17
Table 6.	SOT23-5 - 5-lead small outline transistor package mechanical data . . . . .	19
Table 7.	SC70 (SOT323-5) – 5-lead small outline transistor package mechanical data . . . . .	21
Table 8.	Ordering information scheme . . . . .	22
Table 9.	Device versions with marking descriptions . . . . .	23
Table 10.	Document revision history. . . . .	24

## List of figures

Figure 1.	SOT23-5 and SC70-5 (SOT323-5) package connections . . . . .	5
Figure 2.	Logic diagram . . . . .	6
Figure 3.	Block diagram . . . . .	6
Figure 4.	Open drain $\overline{WDO}$ output connection . . . . .	8
Figure 5.	Interfacing to microprocessors with bidirectional reset I/O . . . . .	9
Figure 6.	Power-up . . . . .	10
Figure 7.	Normal triggering . . . . .	11
Figure 8.	Timeout without re-trigger. . . . .	12
Figure 9.	Trigger after timeout . . . . .	13
Figure 10.	Enable pin, $\overline{EN}$ , triggering. . . . .	14
Figure 11.	SOT23-5 - 5-lead small outline transistor package outline . . . . .	19
Figure 12.	SC70 (SOT323-5) - 5-lead small outline transistor package outline. . . . .	20

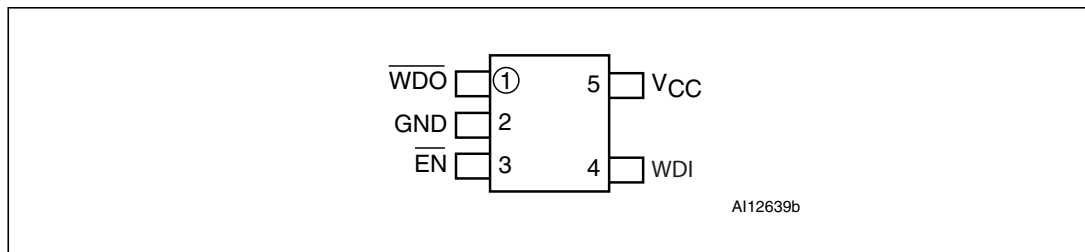
# 1 Description

The STWD100 watchdog timer circuits are self-contained devices which prevent system failures that are caused by certain types of hardware errors (non-responding peripherals, bus contention, etc.) or software errors (bad code jump, code stuck in loop, etc.).

The STWD100 watchdog timer has an input, WDI, and an output,  $\overline{\text{WDO}}$ . The input is used to clear the internal watchdog timer periodically within the specified timeout period,  $t_{\text{wd}}$ . While the system is operating correctly, it periodically toggles the watchdog input, WDI. If the system fails, the watchdog timer is not reset, a system alert is generated and the watchdog output,  $\overline{\text{WDO}}$ , is asserted.

The STWD100 circuit also has an enable pin,  $\overline{\text{EN}}$ , which can enable or disable the watchdog functionality. The  $\overline{\text{EN}}$  pin is connected to the internal pull-down resistor. The device is enabled if the  $\overline{\text{EN}}$  pin is left floating.

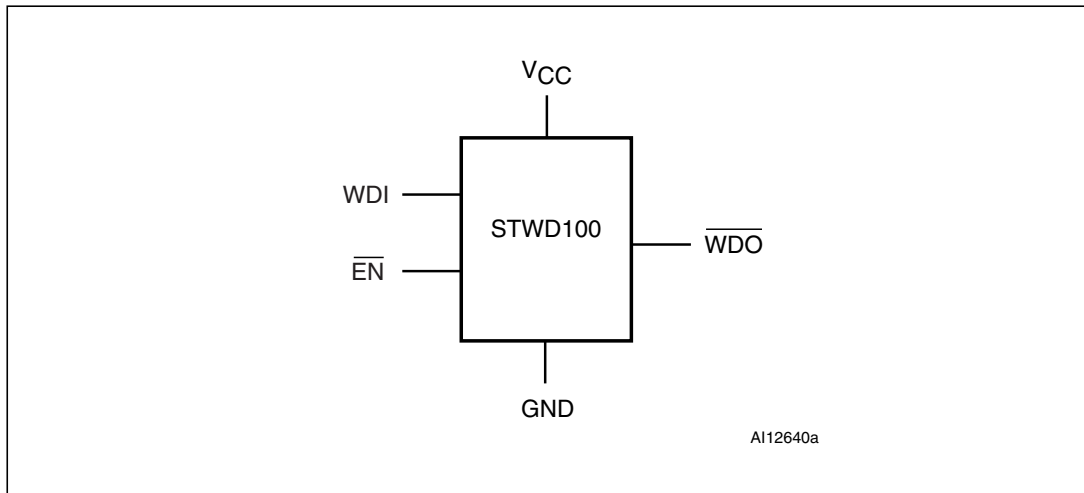
**Figure 1. SOT23-5 and SC70-5 (SOT323-5) package connections**



**Table 2. SOT23-5 and SC70-5 (SOT323-5) pin description**

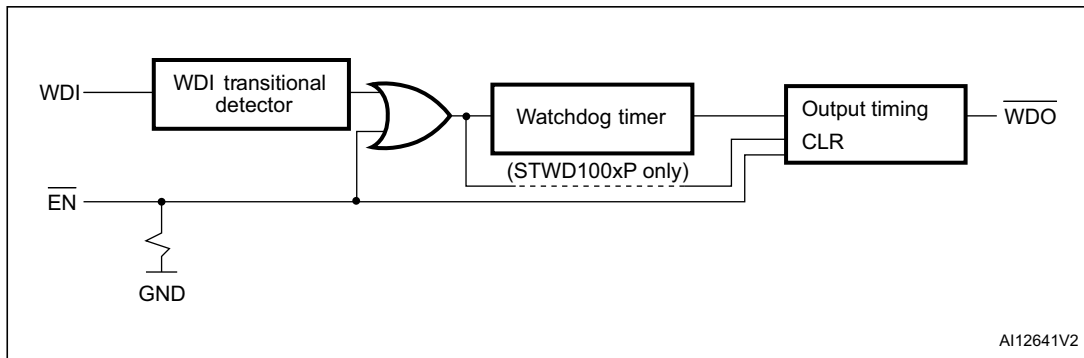
Pin number	Name	Description
1	$\overline{\text{WDO}}$	Watchdog output
2	GND	Ground
3	$\overline{\text{EN}}$	Enable pin
4	WDI	Watchdog input
5	$V_{\text{CC}}$	Supply voltage

Figure 2. Logic diagram



Note:  $\overline{WDO}$  output is available in open drain or push-pull configuration.

Figure 3. Block diagram



Note: Positive pulse on enable pin  $\overline{EN}$  longer than 1  $\mu$ s resets the watchdog timer.

## 2 Operation

The STWD100 device is used to detect an out-of-control MCU. The user has to ensure watchdog reset within the watchdog timeout period, otherwise the watchdog output is asserted and MCU is restarted. The STWD100 can be also enabled or disabled by the chip enable pin.

### 2.1 Watchdog input (WDI)

The WDI input has to be toggled within the watchdog timeout period,  $t_{WD}$ , otherwise the watchdog output,  $\overline{WDO}$ , is asserted. The internal watchdog timer, which counts the  $t_{WD}$  period, is cleared either:

1. by a transition on watchdog output,  $\overline{WDO}$  (see [Figure 8 on page 12](#)) or
2. by a pulse on enable pin,  $\overline{EN}$  (see [Figure 10 on page 14](#)) or
3. by toggling WDI input (low-to-high on all versions and high-to-low on STWD100xW, STWD100xX and STWD100xY only).

The pulses on WDI input with a duration of at least 1  $\mu$ s are detected and glitches shorter than 100 ns are ignored.

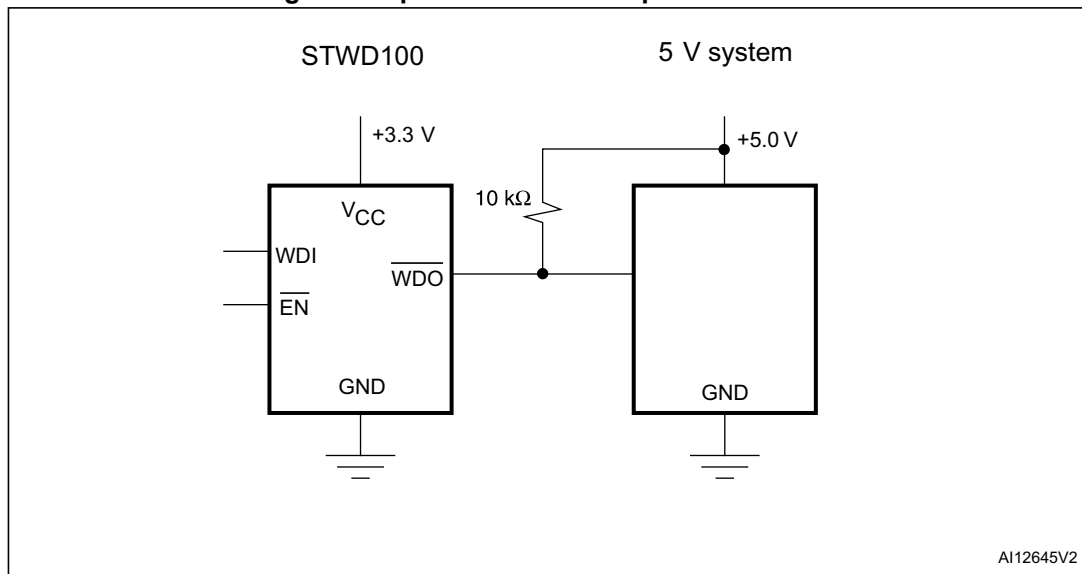
If WDI is permanently tied high or low and  $\overline{EN}$  is tied low, the  $\overline{WDO}$  toggles every 3.4 ms ( $t_{WD}$ ) on STWD100xP and every  $t_{WD}$  and  $t_{PW}$  on STWD100xW, STWD100xX and STWD100xY (see [Figure 8 on page 12](#)).

### 2.2 Watchdog output ( $\overline{WDO}$ )

When the  $V_{CC}$  exceeds the timer startup voltage  $V_{START}$  after power-up, the internal watchdog timer starts counting. If the timer is not cleared within the  $t_{WD}$ , the  $\overline{WDO}$  will go low (see [Figure 6](#)).

After exceeding the  $t_{WD}$ , the  $\overline{WDO}$  is asserted for  $t_{PW}$  on STWD100xW, STWD100xX and STWD100xY regardless of possible WDI transitions (see [Figure 9 on page 13](#)). On STWD100xP  $\overline{WDO}$  is asserted for a minimum of 10  $\mu$ s and a maximum of  $t_{WD}$  after exceeding the  $t_{WD}$  period (see [Figure 8 on page 12](#) and [Figure 9 on page 13](#)).

The STWD100 has an active low open drain or push-pull output. An external pull-up resistor connected to any supply voltage up to 6 V is required in case of open drain  $\overline{WDO}$  output (see [Figure 4](#)). Select a resistor value large enough to register a logic low, and small enough to register a logic high while supplying all input current and leakage paths connected to the reset output line. A 10 k $\Omega$  pull-up resistor is sufficient in most applications.

Figure 4. Open drain  $\overline{WDO}$  output connection

## 2.3 Chip enable input ( $\overline{EN}$ )

All states mentioned in [Section 2.1: Watchdog input \(WDI\)](#) and [Section 2.2: Watchdog output \(WDO\)](#) are valid under the condition that  $\overline{EN}$  is in logical low state.

The behavior of  $\overline{EN}$  is common to all versions (i.e. STWD100xP, STWD100xW, STWD100xX and STWD100xY).

If the  $\overline{EN}$  goes high after power-up in less than  $t_{WD}$  from the moment that  $V_{CC}$  exceeds the timer startup voltage,  $V_{START}$ , the  $\overline{WDO}$  will stay high for the same time period as  $\overline{EN}$ , plus  $t_{WD}$  (see [Figure 10 on page 14](#)).

If the  $\overline{EN}$  goes high anytime during normal operation, the  $\overline{WDO}$  will go high as well, but the minimum possible  $\overline{WDO}$  pulse width is 10  $\mu$ s (see [Figure 10 on page 14](#)).

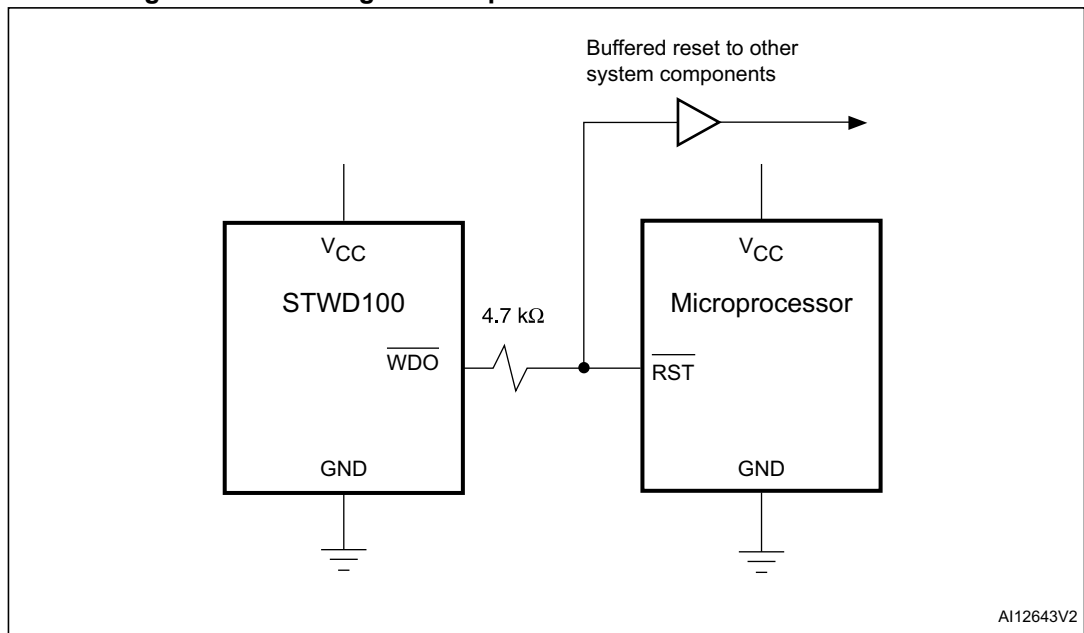
The pulses on the  $\overline{EN}$  pin with a duration of at least 1  $\mu$ s are detected and glitches shorter than 100 ns are ignored.

## 2.4 Applications information

### Interfacing to microprocessors with bidirectional reset pins

Microprocessors with bidirectional reset pins can contend with the STWD100 watchdog output,  $\overline{WDO}$ . For example, if the  $\overline{WDO}$  output is driven high and the micro wants to pull it low, signal contention will result. To prevent this from occurring, connect a 4.7 k $\Omega$  resistor between the  $\overline{WDO}$  output and the microprocessors reset I/O as in [Figure 5](#).

Figure 5. Interfacing to microprocessors with bidirectional reset I/O



### 3 Watchdog timing

Figure 6. Power-up

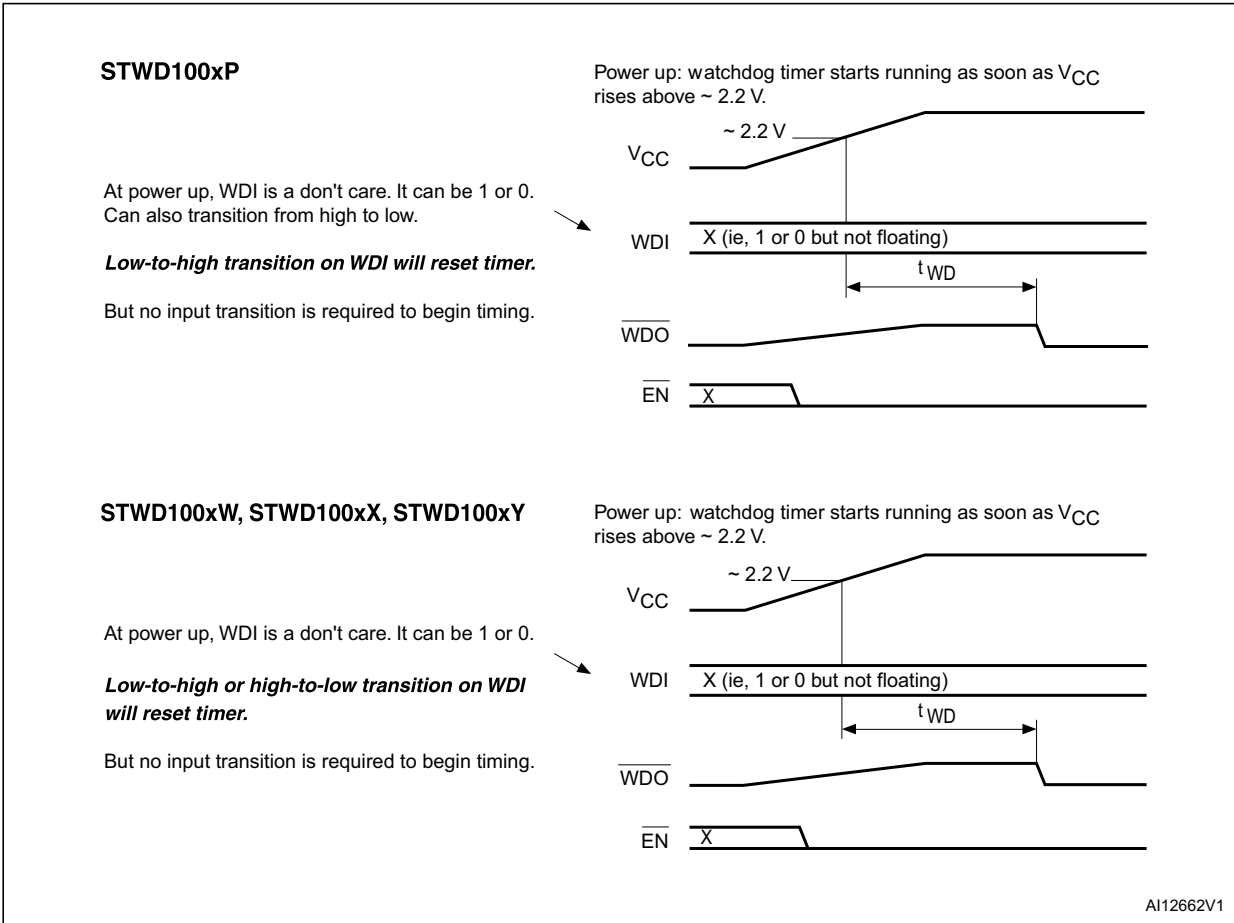
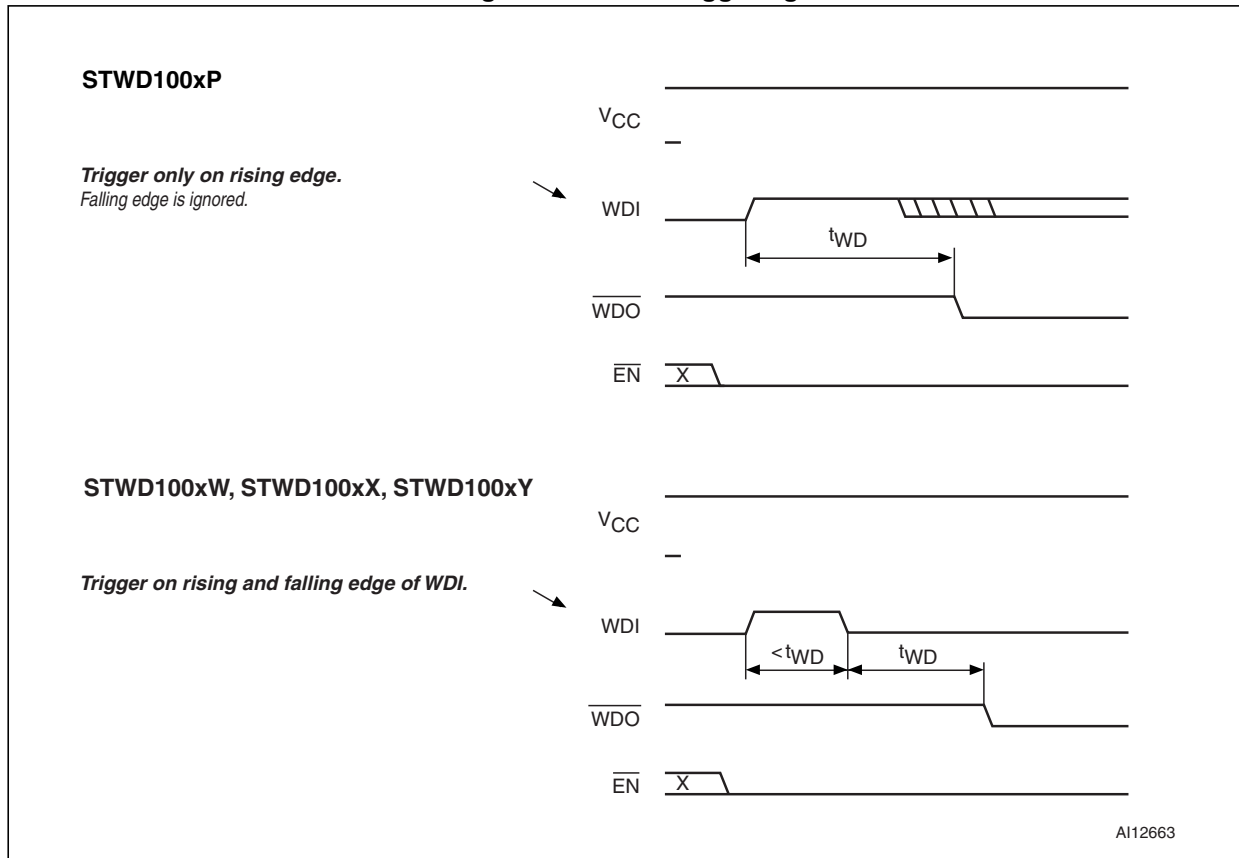


Figure 7. Normal triggering



AI12663

Figure 8. Timeout without re-trigger

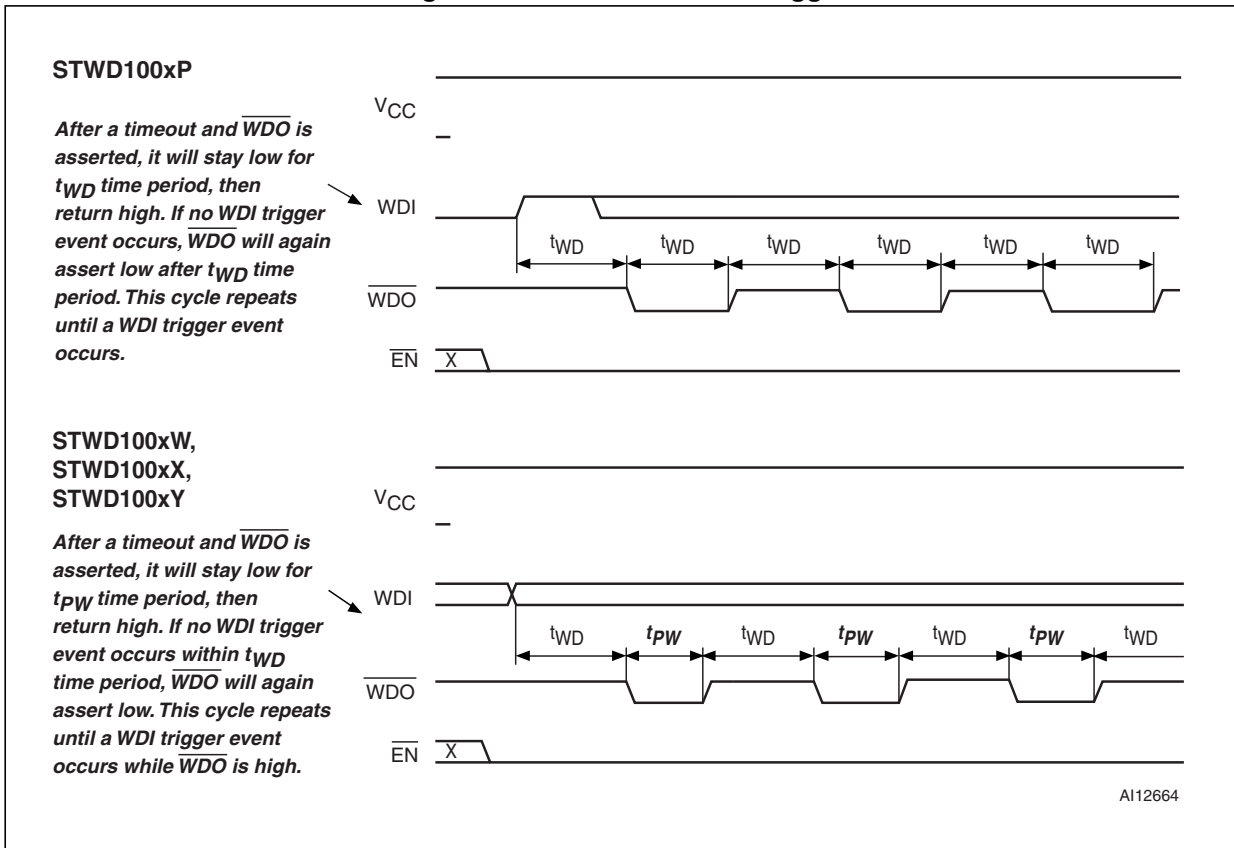
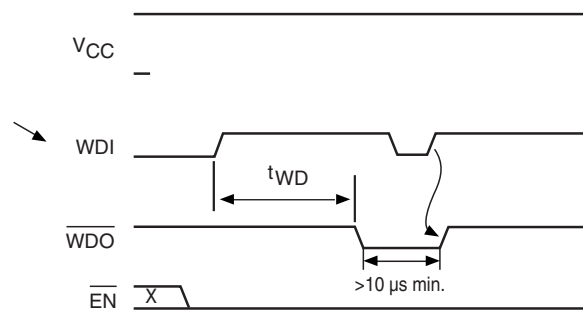


Figure 9. Trigger after timeout

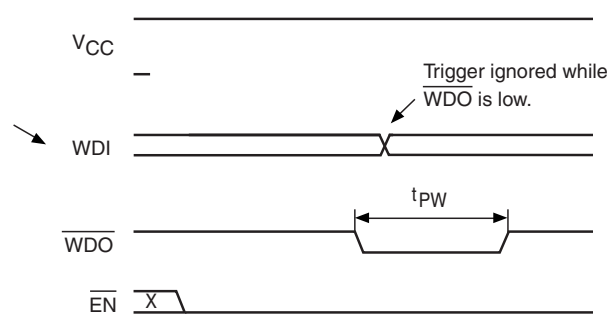
**STWD100xP**

*If a WDI trigger occurs after the  $\overline{WDO}$  output has asserted, the output will de-assert, but with a pulse width of at least 10  $\mu\text{s}$  (min).*



**STWD100xW, STWD100xX, STWD100xY**

*If a WDI trigger occurs after the  $\overline{WDO}$  output has asserted, it is ignored, and the output remains asserted for the specified time,  $t_{PW}$ .*



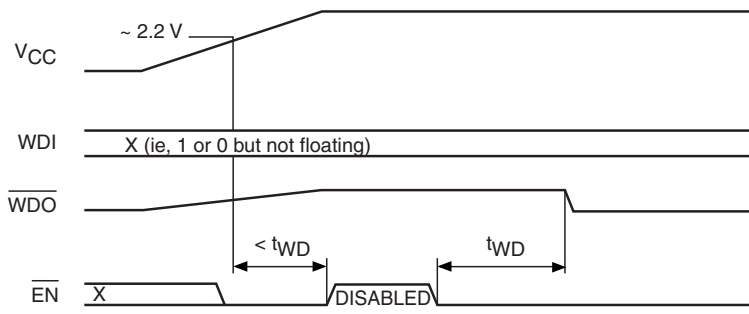
AI12665

Figure 10. Enable pin,  $\overline{EN}$ , triggering

**STWD100xx**

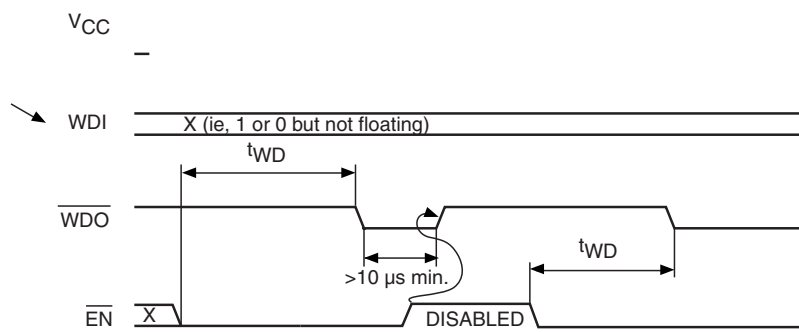
Whenever  $\overline{EN}$  is high, all timing is reset, and the part is disabled.

*Timing commences from 0 when  $\overline{EN}$  goes low.*



**STWD100xx**

*If  $\overline{EN}$  goes high while  $\overline{WDO}$  is asserted,  $\overline{WDO}$  will de-assert but only after the nominal minimum pulse width of 10  $\mu s$  has elapsed.*



A112666

## 4 Maximum ratings

Stressing the device above the rating listed in [Table 3](#) may cause permanent damage to the device. These are stress ratings only and operation of the device at these or any other conditions above those indicated in [Table 4](#) of this specification is not implied. Exposure to absolute maximum rating conditions for extended periods may affect device reliability. Refer also to the STMicroelectronics SURE program and other relevant quality documents.

**Table 3. Absolute maximum ratings**

Symbol	Parameter	Value	Unit
$T_{STG}$	Storage temperature ( $V_{CC}$ off)	-55 to 150	°C
$T_{SLD}^{(1)}$	Lead solder temperature for 10 seconds	260	°C
$V_{IO}$	Input or output voltage	-0.3 to $V_{CC} + 0.3$	V
$V_{CC}$	Supply voltage	-0.3 to 7.0	V
$I_O$	Output current	20	mA
$P_D$	Power dissipation	320	mW

1. Reflow at peak temperature of 260 °C (total thermal budget not to exceed 245 °C for greater than 30 seconds).

## 5 DC and AC parameters

This section summarizes the operating measurement conditions, and the DC and AC characteristics of the device. The parameters in [Table 5](#) that follows, are derived from tests performed under the measurement conditions summarized in [Table 4](#). Designers should check that the operating conditions in their circuit match the operating conditions when relying on the quoted parameters.

**Table 4. Operating and AC measurement conditions**

Parameter	Value	Unit
$V_{CC}$ supply voltage	2.7 to 5.5	V
Ambient operating temperature ( $T_A$ )	-40 to 125	°C
Input rise and fall times	$\leq 5$	ns
Input pulse voltages	0.2 to 0.8 $V_{CC}$	V
Input and output timing ref. voltages	0.3 to 0.7 $V_{CC}$	V

Table 5. DC and AC characteristics

Symbol	Description	Test condition <sup>(1)</sup>	Min.	Typ.	Max.	Unit
V <sub>CC</sub>	Operating voltage		2.7	5	5.5	V
I <sub>CC</sub>	V <sub>CC</sub> supply current			13	26	μA
I <sub>LO</sub>	Open drain output leakage current	From output to the GND or V <sub>CC</sub>	-1		+1	μA
	Input leakage current (WDI)		-1		+1	μA
V <sub>IH</sub>	Input high voltage (WDI, $\overline{EN}$ )		0.7 V <sub>CC</sub>			V
V <sub>IL</sub>	Input low voltage (WDI, $\overline{EN}$ )				0.3 V <sub>CC</sub>	V
V <sub>OL</sub>	Output low voltage ( $\overline{WDO}$ )	V <sub>CC</sub> ≥ 2.7 V, I <sub>SINK</sub> = 1.2 mA			0.3	V
		V <sub>CC</sub> ≥ 4.5 V, I <sub>SINK</sub> = 3.2 mA			0.4	V
V <sub>OH</sub>	Output high voltage ( $\overline{WDO}$ ) (push-pull only)	V <sub>CC</sub> ≥ 2.7 V, I <sub>SOURCE</sub> = 500 μA	0.8 V <sub>CC</sub>			V
		V <sub>CC</sub> ≥ 4.5 V, I <sub>SOURCE</sub> = 800 μA	0.8 V <sub>CC</sub>			V
<b>Enable pin ( <math>\overline{EN}</math> )</b>						
	$\overline{EN}$ input pulse width		1			μs
	$\overline{EN}$ glitch rejection			100		ns
	$\overline{EN}$ -to- $\overline{WDO}$ delay <sup>(2)</sup>			200		ns
	$\overline{EN}$ pull-down resistance		32	63	100	kΩ
<b>Watchdog timer</b>						
V <sub>START</sub>	Timer startup voltage		1.9	2.2	2.7	V
t <sub>WD</sub>	Watchdog timeout period	STWD100xP	2.3	3.4	4.6	ms
		STWD100xW	4.3	6.3	8.6	ms
		STWD100YxW	5.1	6.3	8.6	ms
		STWD100xX	71	102	142	ms
		STWD100xY	1.12	1.6	2.24	s
t <sub>PW</sub>	Watchdog active time		140	210	280	ms
	WDI-to- $\overline{WDO}$ delay <sup>(3)</sup>			150		ns
	WDI pulse width		1			μs
	WDI glitch rejection			100		ns

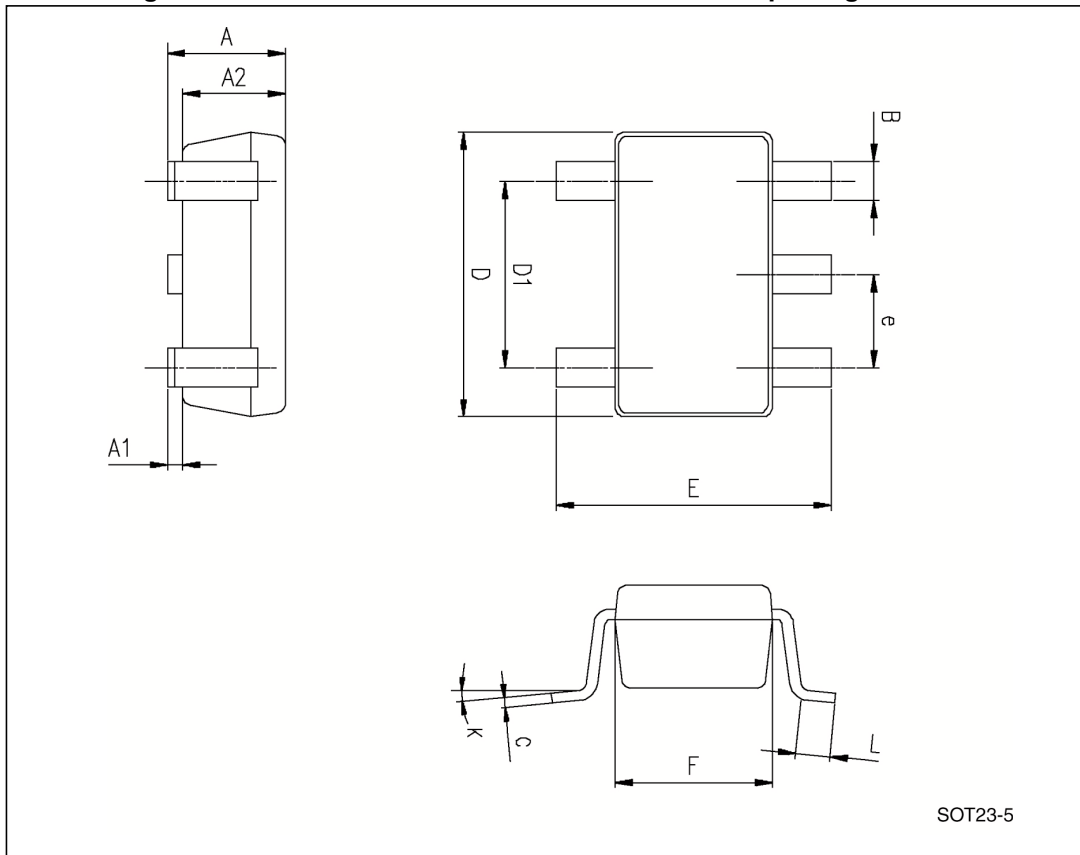
- Valid for ambient operating temperature: T<sub>A</sub> = -40 to 125 °C; V<sub>CC</sub> = 2.7 V to 5.5 V except where noted.
- $\overline{WDO}$  will assert for minimum of 10 μs even if  $\overline{EN}$  transitions high.
- $\overline{WDO}$  will assert for minimum of 10 μs regardless of transition on WDI (valid for STWD100xP only).

## 6 Package information

In order to meet environmental requirements, ST offers these devices in different grades of ECOPACK<sup>®</sup> packages, depending on their level of environmental compliance. ECOPACK specifications, grade definitions and product status are available at: [www.st.com](http://www.st.com). ECOPACK is an ST trademark.

The maximum ratings related to soldering conditions are also marked on the inner box label.

Figure 11. SOT23-5 - 5-lead small outline transistor package outline



SOT23-5

Table 6. SOT23-5 - 5-lead small outline transistor package mechanical data

Symbol	Dimensions					
	mm			inches		
	Typ.	Min.	Max.	Typ.	Min.	Max.
A	1.20	0.90	1.45	0.047	0.035	0.057
A1			0.15			0.006
A2	1.05	0.90	1.30	0.041	0.035	0.051
B	0.40	0.35	0.50	0.016	0.014	0.020
C	0.15	0.09	0.20	0.006	0.004	0.008
D	2.90	2.80	3.00	0.114	0.110	0.118
D1	1.90			0.075		
E	2.80	2.60	3.00	0.110	0.102	0.118
e	0.95			0.037		
F	1.60	1.50	1.75	0.063	0.059	0.069
K		0°	10°		0°	10°
L	0.35	0.10	0.60	0.014	0.004	0.024

Figure 12. SC70 (SOT323-5) - 5-lead small outline transistor package outline

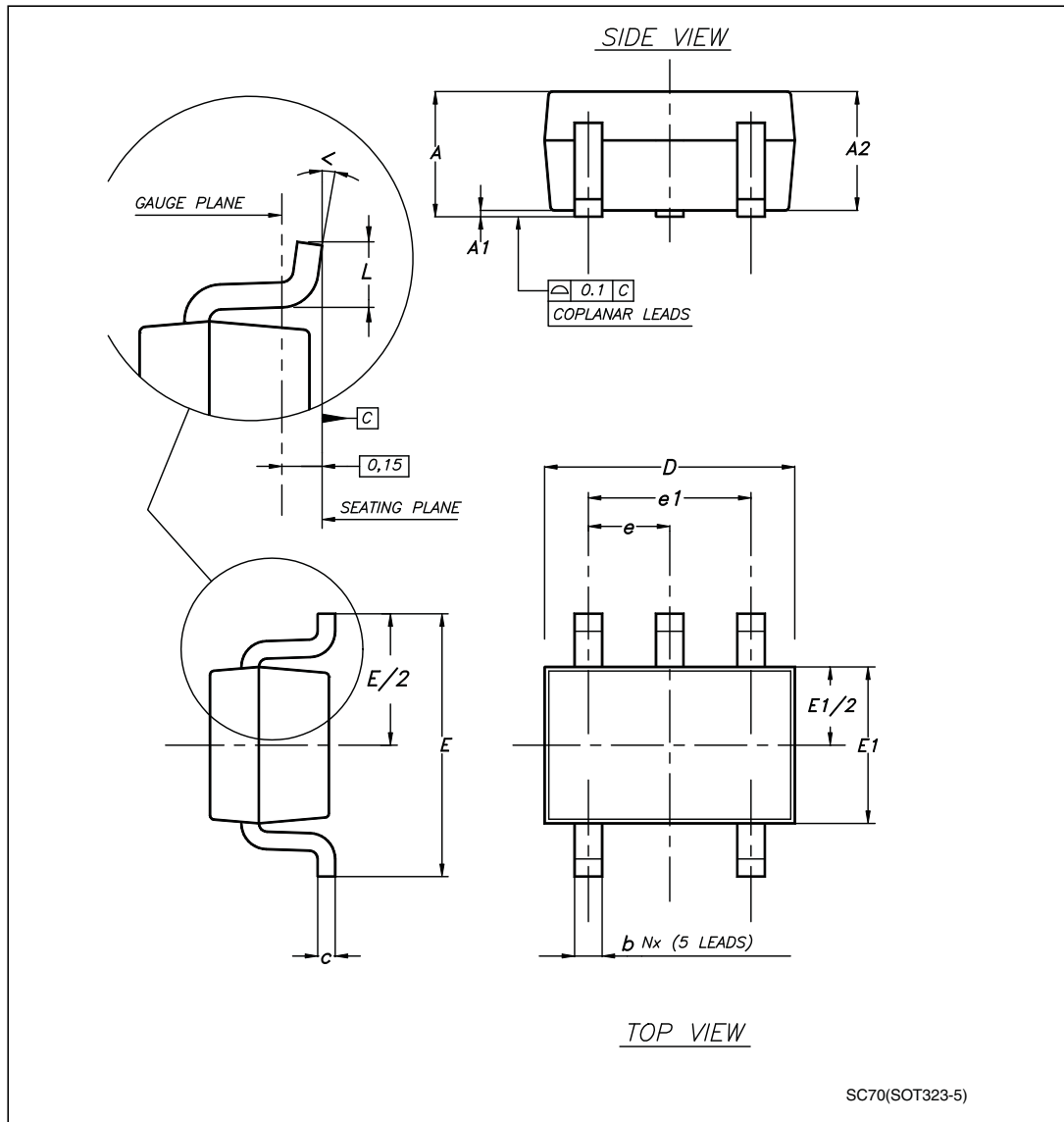


Table 7. SC70 (SOT323-5) – 5-lead small outline transistor package mechanical data

Symbol	Dimensions					
	mm			inches		
	Typ.	Min.	Max.	Typ.	Min.	Max.
A		0.80	1.10		0.031	0.043
A1		0.00	0.10		0.000	0.004
A2	0.90	0.80	1.00	0.035	0.031	0.039
b		0.15	0.30		0.006	0.012
c		0.10	0.22		0.004	0.009
D	2.00	1.80	2.20	0.079	0.071	0.087
E	2.10	1.80	2.40	0.083	0.071	0.094
E1	1.25	1.15	1.35	0.049	0.045	0.053
e	0.65			0.026		
e1	1.30			0.051		
L	0.36	0.26	0.46	0.014	0.010	0.018
<	–	0°	8°	–	0°	8°
N		5			5	

# 7 Part numbering

Table 8. Ordering information scheme

Example:	STWD100	Y	N	P	WY	3	F
<b>Device type</b>							
STWD100							
<b>Device grade</b>							
Y: automotive grade							
<b>Output type</b>							
N: open drain (active low)							
P: push-pull (active low)							
<b>Device version</b>							
P: $t_{WD} = 3.4 \text{ ms}$ , $t_{PW} = t_{WD} = 3.4 \text{ ms}$							
W: $t_{WD} = 6.3 \text{ ms}$ , $t_{PW} = 210 \text{ ms}$							
X: $t_{WD} = 102 \text{ ms}$ , $t_{PW} = 210 \text{ ms}$							
Y: $t_{WD} = 1.6 \text{ s}$ , $t_{PW} = 210 \text{ ms}$							
<b>Package</b>							
WY: SOT23-5							
W8: SC70-5 (SOT323-5)							
<b>Temperature range</b>							
3: -40 to +125 °C							
<b>Shipping method</b>							
F: ECOPACK® package, tape and reel							

Note: Please check device version availability on [www.st.com](http://www.st.com).  
Please contact local ST sales office for new device version request.

## 8 Package marking information

**Table 9. Device versions with marking descriptions**

Part number	Watchdog timing period		Output configuration	Topside marking	Bottomside marking <sup>(1)</sup>
	$t_{wd}$	$t_{pw}$			
STWD100NPxxxx	3.4 ms	3.4 ms	Open drain	WNP	PYWW
STWD100NWxxxx	6.3 ms	210 ms	Open drain	WNW	PYWW
STWD100NXxxxx	102 ms	210 ms	Open drain	WNX	PYWW
STWD100NYxxxx	1.6 s	210 ms	Open drain	WNY	PYWW
STWD100PWxxxx	6.3 ms	210 ms	Push-pull	WPW	PYWW
STWD100PXxxxx	102 ms	210 ms	Push-pull	WPX	PYWW
STWD100PYxxxx	1.6 s	210 ms	Push-pull	WPY	PYWW

1. Description: P = assembly plant code, Y = assembly year (0 to 9), WW = assembly work week (01 to 52).

## 9 Revision history

**Table 10. Document revision history**

Date	Revision	Changes
08-Nov-2007	1	Initial release.
23-Jan-2008	2	Updated cover page and <a href="#">Table 5</a> ; document status upgraded to full datasheet.
28-Jan-2008	3	Updated cover page.
17-Mar-2008	4	Updated cover page, <a href="#">Figure 4</a> , <a href="#">7</a> , <a href="#">9</a> , and <a href="#">Table 5</a> , <a href="#">9</a> .
31-Jul-2008	5	Updated <a href="#">Features</a> on cover page and <a href="#">Table 5</a> .
05-Mar-2012	6	Added product maturity information and section <a href="#">Applications</a> , updated <a href="#">Section 1</a> , <a href="#">Section 2.4</a> , <a href="#">Section 4</a> , <a href="#">Section 5</a> , <a href="#">Section 7</a> and <a href="#">Section 8</a> , ECOPACK <sup>®</sup> text, minor text corrections throughout document.
26-Oct-2012	7	Updated <a href="#">Features</a> (added ESD information). Added <a href="#">Table 1: Device summary</a> . Updated <a href="#">Table 8</a> (added automotive grade version to the device type). Minor corrections throughout document.
11-Mar-2014	8	Updated <a href="#">Table 1: Device summary</a> and <a href="#">Table 8: Ordering information scheme</a> Added STWD100YxW and values to $t_{WD}$ in <a href="#">Table 5: DC and AC characteristics</a>

**Please Read Carefully:**

Information in this document is provided solely in connection with ST products. STMicroelectronics NV and its subsidiaries ("ST") reserve the right to make changes, corrections, modifications or improvements, to this document, and the products and services described herein at any time, without notice.

All ST products are sold pursuant to ST's terms and conditions of sale.

Purchasers are solely responsible for the choice, selection and use of the ST products and services described herein, and ST assumes no liability whatsoever relating to the choice, selection or use of the ST products and services described herein.

No license, express or implied, by estoppel or otherwise, to any intellectual property rights is granted under this document. If any part of this document refers to any third party products or services it shall not be deemed a license grant by ST for the use of such third party products or services, or any intellectual property contained therein or considered as a warranty covering the use in any manner whatsoever of such third party products or services or any intellectual property contained therein.

**UNLESS OTHERWISE SET FORTH IN ST'S TERMS AND CONDITIONS OF SALE ST DISCLAIMS ANY EXPRESS OR IMPLIED WARRANTY WITH RESPECT TO THE USE AND/OR SALE OF ST PRODUCTS INCLUDING WITHOUT LIMITATION IMPLIED WARRANTIES OF MERCHANTABILITY, FITNESS FOR A PARTICULAR PURPOSE (AND THEIR EQUIVALENTS UNDER THE LAWS OF ANY JURISDICTION), OR INFRINGEMENT OF ANY PATENT, COPYRIGHT OR OTHER INTELLECTUAL PROPERTY RIGHT.**

**ST PRODUCTS ARE NOT DESIGNED OR AUTHORIZED FOR USE IN: (A) SAFETY CRITICAL APPLICATIONS SUCH AS LIFE SUPPORTING, ACTIVE IMPLANTED DEVICES OR SYSTEMS WITH PRODUCT FUNCTIONAL SAFETY REQUIREMENTS; (B) AERONAUTIC APPLICATIONS; (C) AUTOMOTIVE APPLICATIONS OR ENVIRONMENTS, AND/OR (D) AEROSPACE APPLICATIONS OR ENVIRONMENTS. WHERE ST PRODUCTS ARE NOT DESIGNED FOR SUCH USE, THE PURCHASER SHALL USE PRODUCTS AT PURCHASER'S SOLE RISK, EVEN IF ST HAS BEEN INFORMED IN WRITING OF SUCH USAGE, UNLESS A PRODUCT IS EXPRESSLY DESIGNATED BY ST AS BEING INTENDED FOR "AUTOMOTIVE, AUTOMOTIVE SAFETY OR MEDICAL" INDUSTRY DOMAINS ACCORDING TO ST PRODUCT DESIGN SPECIFICATIONS. PRODUCTS FORMALLY ESCC, QML OR JAN QUALIFIED ARE DEEMED SUITABLE FOR USE IN AEROSPACE BY THE CORRESPONDING GOVERNMENTAL AGENCY.**

Resale of ST products with provisions different from the statements and/or technical features set forth in this document shall immediately void any warranty granted by ST for the ST product or service described herein and shall not create or extend in any manner whatsoever, any liability of ST.

ST and the ST logo are trademarks or registered trademarks of ST in various countries.

Information in this document supersedes and replaces all information previously supplied.

The ST logo is a registered trademark of STMicroelectronics. All other names are the property of their respective owners.

© 2014 STMicroelectronics - All rights reserved

STMicroelectronics group of companies

Australia - Belgium - Brazil - Canada - China - Czech Republic - Finland - France - Germany - Hong Kong - India - Israel - Italy - Japan - Malaysia - Malta - Morocco - Philippines - Singapore - Spain - Sweden - Switzerland - United Kingdom - United States of America

[www.st.com](http://www.st.com)



# AMEYA360

## Components Supply Platform

### Authorized Distribution Brand :



### Website :

Welcome to visit [www.ameya360.com](http://www.ameya360.com)

### Contact Us :

#### ➤ Address :

401 Building No.5, JiuGe Business Center, Lane 2301, Yishan Rd  
Minhang District, Shanghai , China

#### ➤ Sales :

Direct +86 (21) 6401-6692

Email [amall@ameya360.com](mailto:amall@ameya360.com)

QQ 800077892

Skype [ameyasales1](#) [ameyasales2](#)

#### ➤ Customer Service :

Email [service@ameya360.com](mailto:service@ameya360.com)

#### ➤ Partnership :

Tel +86 (21) 64016692-8333

Email [mkt@ameya360.com](mailto:mkt@ameya360.com)