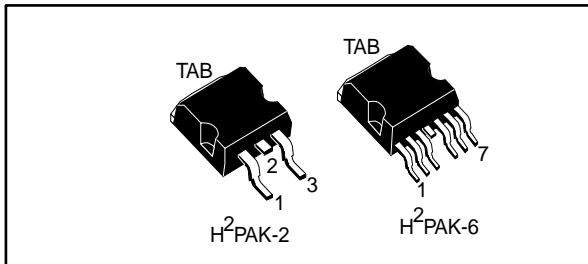
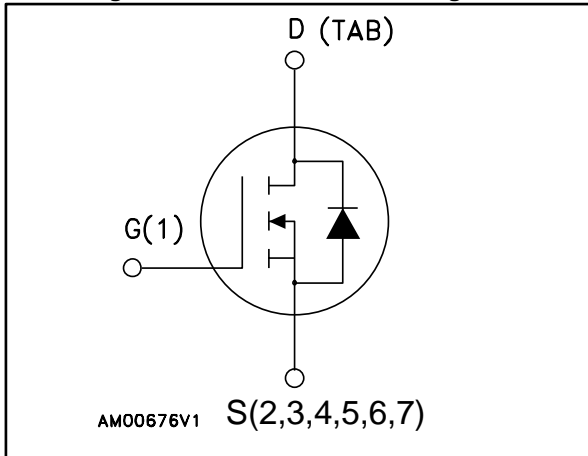


## N-channel 100 V, 1.9 mΩ typ., 180 A, STripFET™ F7 Power MOSFETs in H<sup>2</sup>PAK-2 and H<sup>2</sup>PAK-6 packages

Datasheet - production data


**Figure 1: Internal schematic diagram**


### Features

Order code	V <sub>DS</sub>	R <sub>DS(on)</sub> max.	I <sub>D</sub>
STH310N10F7-2	100 V	2.3 mΩ	180 A
STH310N10F7-6			

- Among the lowest R<sub>DS(on)</sub> on the market
- Excellent figure of merit (FoM)
- Low C<sub>rss</sub>/C<sub>iss</sub> ratio for EMI immunity
- High avalanche ruggedness

### Description

These N-channel Power MOSFETs utilize STripFET™ F7 technology with an enhanced trench gate structure that results in very low on-resistance, while also reducing internal capacitance and gate charge for faster and more efficient switching.

**Table 1: Device summary**

Order code	Marking	Package	Packing
STH310N10F7-2	310N10F7	H <sup>2</sup> PAK-2	Tape and reel
STH310N10F7-6		H <sup>2</sup> PAK-6	

---

**Contents**

<b>1</b>	<b>Electrical ratings .....</b>	<b>3</b>
<b>2</b>	<b>Electrical characteristics .....</b>	<b>4</b>
	2.1 Electrical characteristics (curves) .....	6
<b>3</b>	<b>Test circuits .....</b>	<b>8</b>
<b>4</b>	<b>Package information .....</b>	<b>9</b>
	4.1 H <sup>2</sup> PAK-2 package information.....	10
	4.2 H <sup>2</sup> PAK-6 package information.....	13
	4.3 Packing information.....	16
<b>5</b>	<b>Revision history .....</b>	<b>18</b>

# 1 Electrical ratings

**Table 2: Absolute maximum ratings**

Symbol	Parameter	Value	Unit
$V_{DS}$	Drain-source voltage	100	V
$V_{GS}$	Gate-source voltage	$\pm 20$	V
$I_D^{(1)}$	Drain current (continuous) at $T_C = 25\text{ }^\circ\text{C}$	180	A
	Drain current (continuous) at $T_C = 100\text{ }^\circ\text{C}$	120	A
$I_D^{(2)}$	Drain current (pulsed)	720	A
$P_{TOT}$	Total dissipation at $T_C = 25\text{ }^\circ\text{C}$	315	W
	Derating factor	2.1	W/ $^\circ\text{C}$
$E_{AS}^{(3)}$	Single pulse avalanche energy ( $T_J = 25\text{ }^\circ\text{C}$ $L = 0.55\text{ mH}$ , $I_{AS} = 65\text{ A}$ )	1	J
$T_J$	Operating junction temperature	-55 to 175	$^\circ\text{C}$
$T_{stg}$	Storage temperature		$^\circ\text{C}$

**Notes:**

- <sup>(1)</sup>Current limited by package
- <sup>(2)</sup>Pulse width limited by safe operating area
- <sup>(3)</sup>Starting  $T_J = 25\text{ }^\circ\text{C}$ ,  $I_D = 60\text{ A}$ ,  $V_{DD} = 50\text{ V}$

**Table 3: Thermal data**

Symbol	Parameter	Value	Unit
$R_{thj-case}$	Thermal resistance junction-case	0.48	$^\circ\text{C}/\text{W}$
$R_{thj-pcb}^{(1)}$	Thermal resistance junction-pcb	35	$^\circ\text{C}/\text{W}$

**Notes:**

- <sup>(1)</sup>When mounted on FR-4 board of 1 inch<sup>2</sup>, 2 oz Cu

## 2 Electrical characteristics

(T<sub>CASE</sub> = 25 °C unless otherwise specified)

**Table 4: On/off-state**

Symbol	Parameter	Test conditions	Min.	Typ.	Max.	Unit
V <sub>(BR)DSS</sub>	Drain-source breakdown voltage (V <sub>GS</sub> = 0)	I <sub>D</sub> = 250 μA	100			V
I <sub>DSS</sub>	Zero gate voltage drain current (V <sub>GS</sub> = 0)	V <sub>DS</sub> = 100 V			1	μA
		V <sub>DS</sub> = 100 V; T <sub>C</sub> = 125 °C			100	μA
I <sub>GSS</sub>	Gate body leakage current (V <sub>DS</sub> = 0)	V <sub>GS</sub> = 20 V			100	nA
V <sub>GS(th)</sub>	Gate threshold voltage	V <sub>DS</sub> = V <sub>GS</sub> , I <sub>D</sub> = 250 μA	2.5	3.5	4.5	V
R <sub>DS(on)</sub>	Static drain-source on-resistance	V <sub>GS</sub> = 10 V, I <sub>D</sub> = 60 A		1.9	2.3	mΩ

**Table 5: Dynamic**

Symbol	Parameter	Test conditions	Min.	Typ.	Max.	Unit	
C <sub>iss</sub>	Input capacitance	V <sub>DS</sub> = 25 V, f = 1 MHz, V <sub>GS</sub> = 0	-	12800	-	pF	
C <sub>oss</sub>	Output capacitance			3500		pF	
C <sub>rss</sub>	Reverse transfer capacitance			170		pF	
Q <sub>g</sub>	Total gate charge			V <sub>DD</sub> = 50 V, I <sub>D</sub> = 180 A		180	nC
Q <sub>gs</sub>	Gate-source charge			V <sub>GS</sub> = 10 V		78	nC
Q <sub>gd</sub>	Gate-drain charge			See <a href="#">Figure 14: "Gate charge test circuit"</a>		34	nC

**Table 6: Switching times**

Symbol	Parameter	Test conditions	Min.	Typ.	Max.	Unit
t <sub>d(on)</sub>	Turn-on delay time	V <sub>DD</sub> = 50 V, I <sub>D</sub> = 90 A, R <sub>G</sub> = 4.7 Ω, V <sub>GS</sub> = 10 V See <a href="#">Figure 13: "Switching times test circuit for resistive load"</a>	-	62	-	ns
t <sub>r</sub>	Rise time			108		ns
t <sub>d(off)</sub>	Turn-off delay time			148		ns
t <sub>f</sub>	Fall time			40		ns

Table 7: Source-drain diode

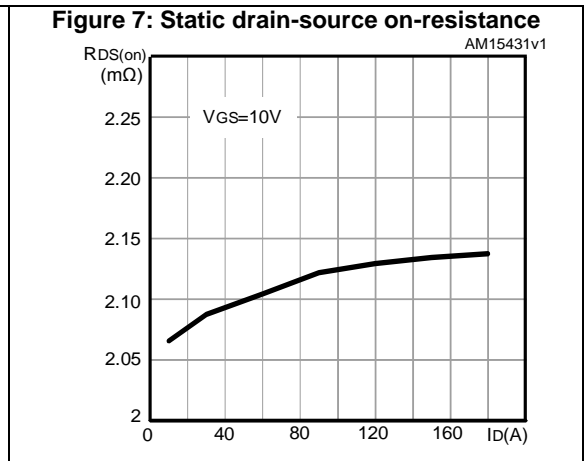
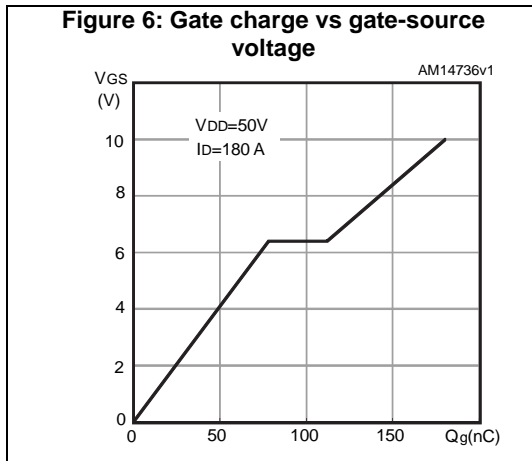
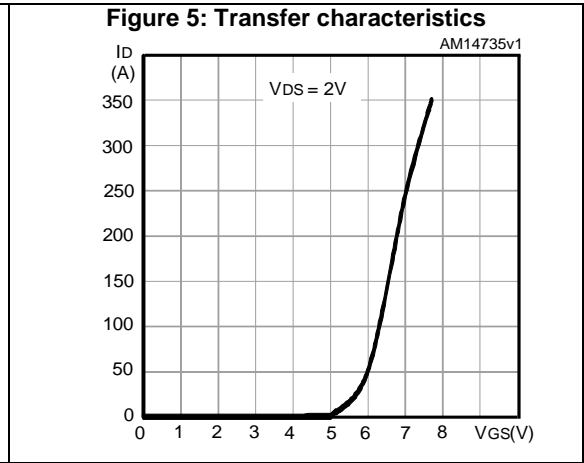
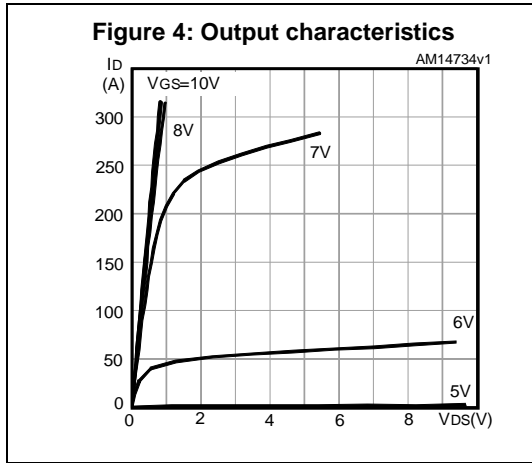
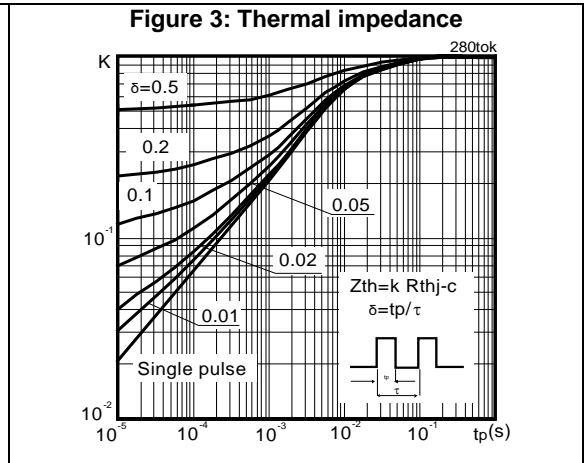
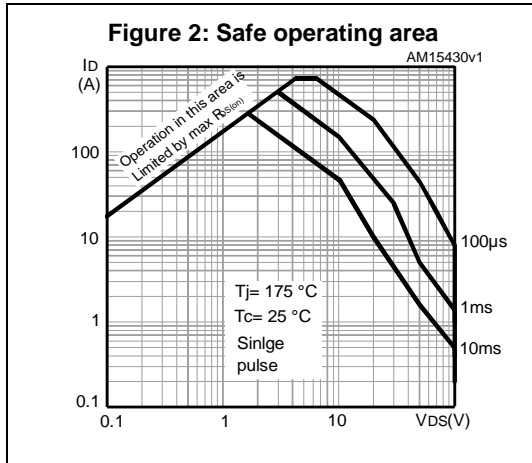
Symbol	Parameter	Test conditions	Min.	Typ.	Max.	Unit		
$I_{SD}$	Source-drain current		-		180	A		
$I_{SDM}^{(1)}$	Source-drain current (pulsed)				720	A		
$V_{SD}^{(2)}$	Forward on voltage	$I_{SD} = 60 \text{ A}, V_{GS} = 0$				1.5	V	
$t_{rr}$	Reverse recovery time	$I_{SD} = 180 \text{ A},$ $di/dt = 100 \text{ A}/\mu\text{s},$ $V_{DD} = 80 \text{ V},$ $T_j = 150 \text{ }^\circ\text{C}$			85		ns	
$Q_{rr}$	Reverse recovery charge					200		nC
$I_{RRM}$	Reverse recovery current					4.7		A

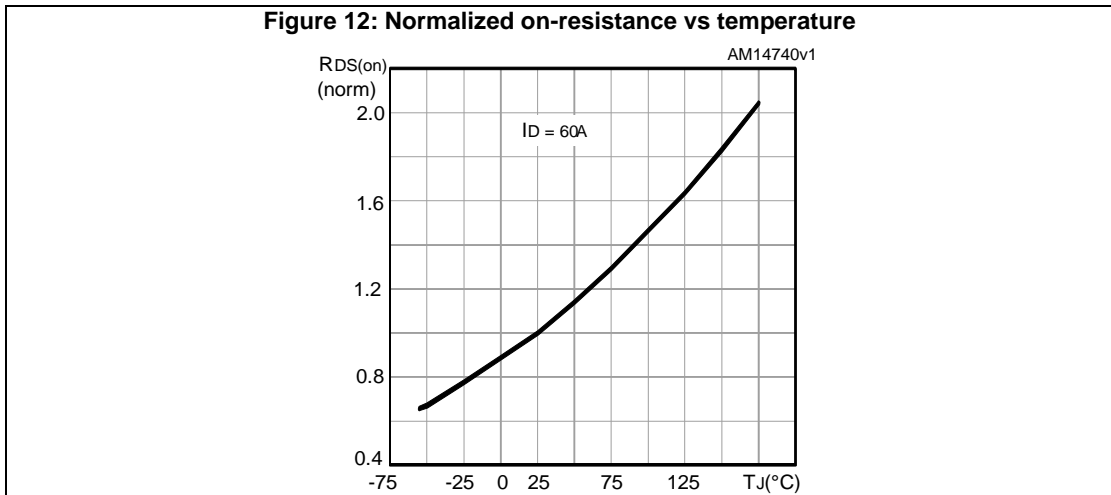
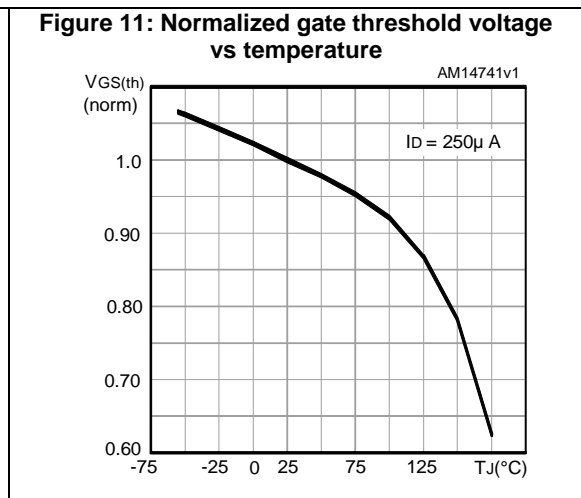
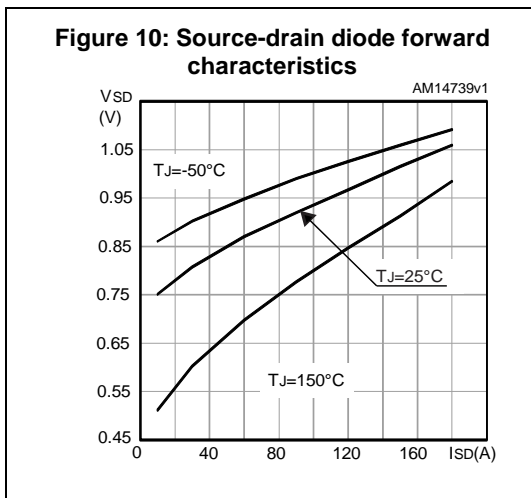
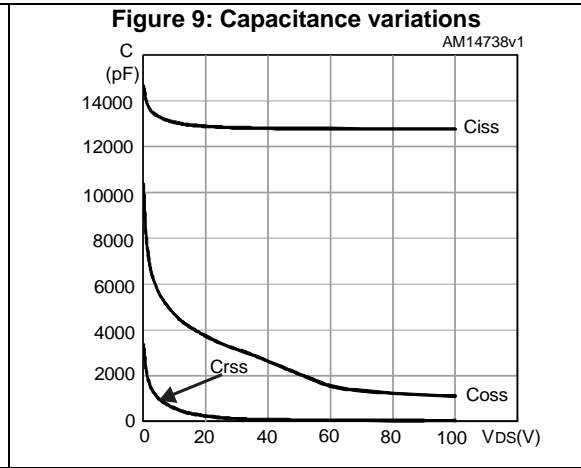
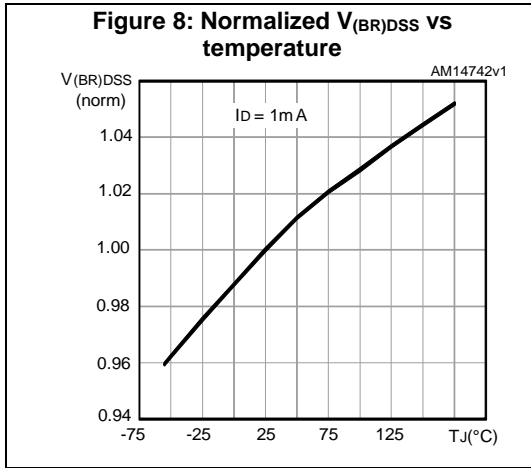
**Notes:**

<sup>(1)</sup>Pulse width limited by safe operating area

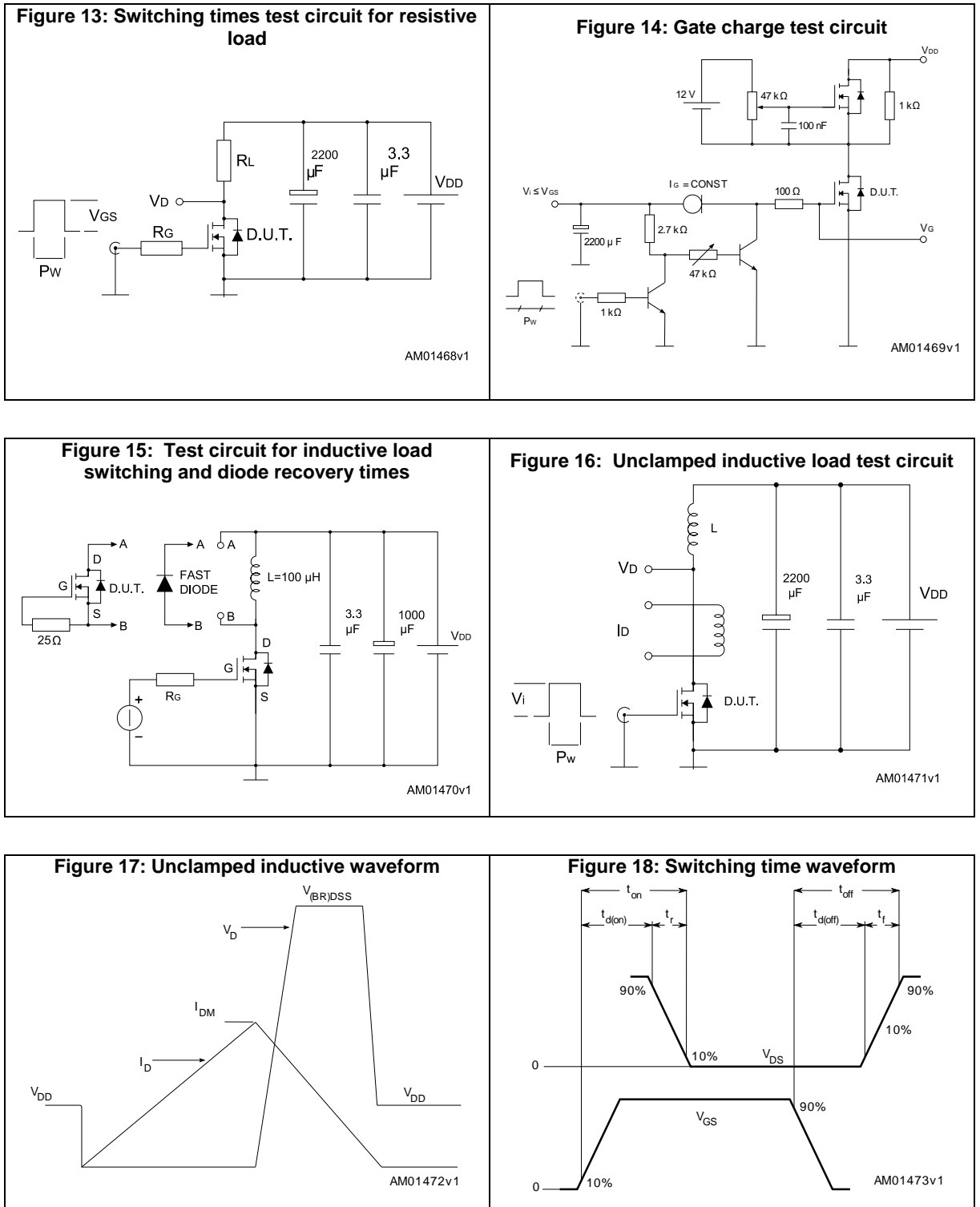
<sup>(2)</sup>Pulsed: pulse duration = 300  $\mu\text{s}$ , duty cycle 1.5%

## 2.1 Electrical characteristics (curves)





### 3 Test circuits



## 4 Package information

In order to meet environmental requirements, ST offers these devices in different grades of ECOPACK<sup>®</sup> packages, depending on their level of environmental compliance. ECOPACK<sup>®</sup> specifications, grade definitions and product status are available at: [www.st.com](http://www.st.com). ECOPACK<sup>®</sup> is an ST trademark.

### 4.1 H<sup>2</sup>PAK-2 package information

Figure 19: H<sup>2</sup>PAK-2 outline

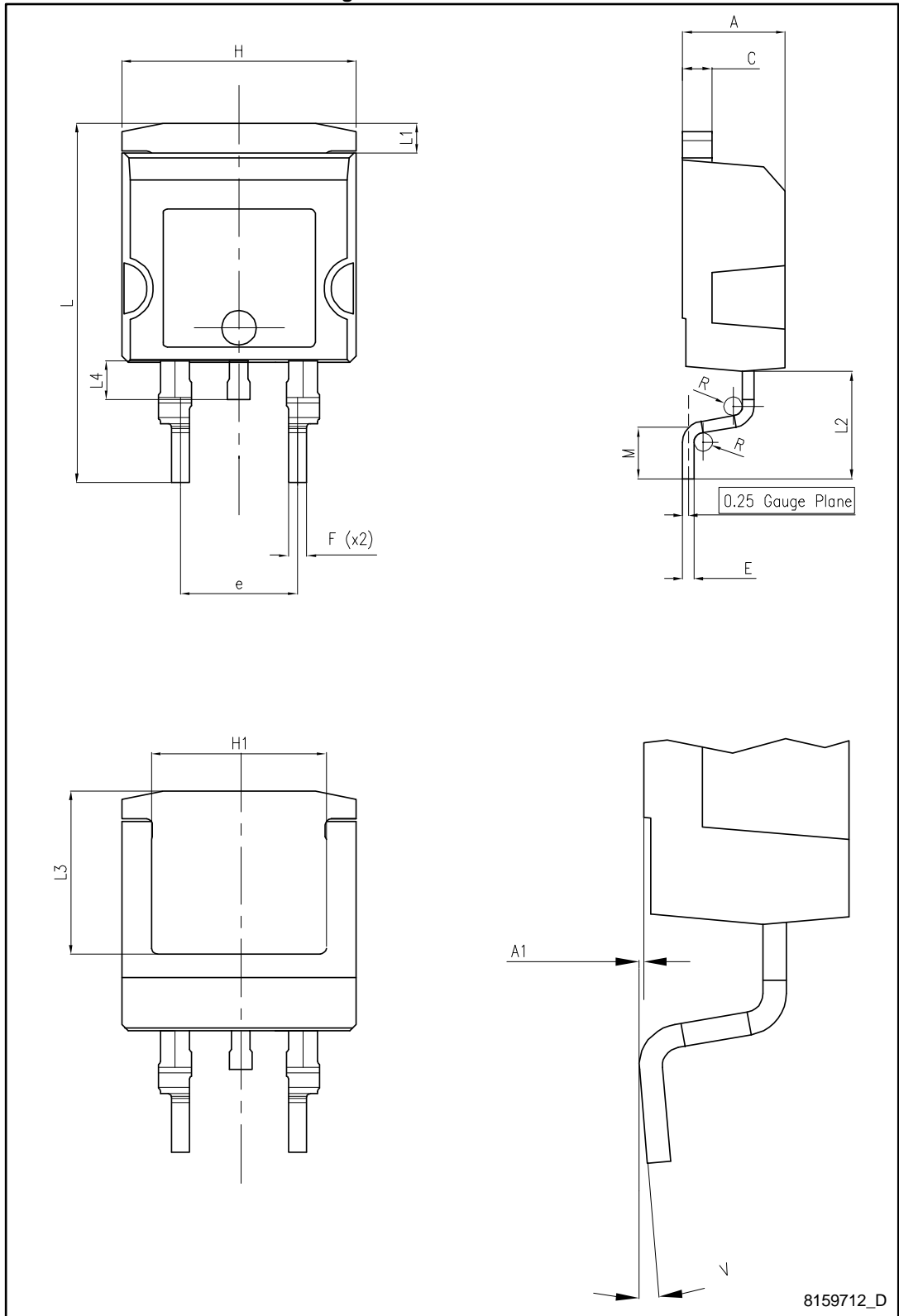
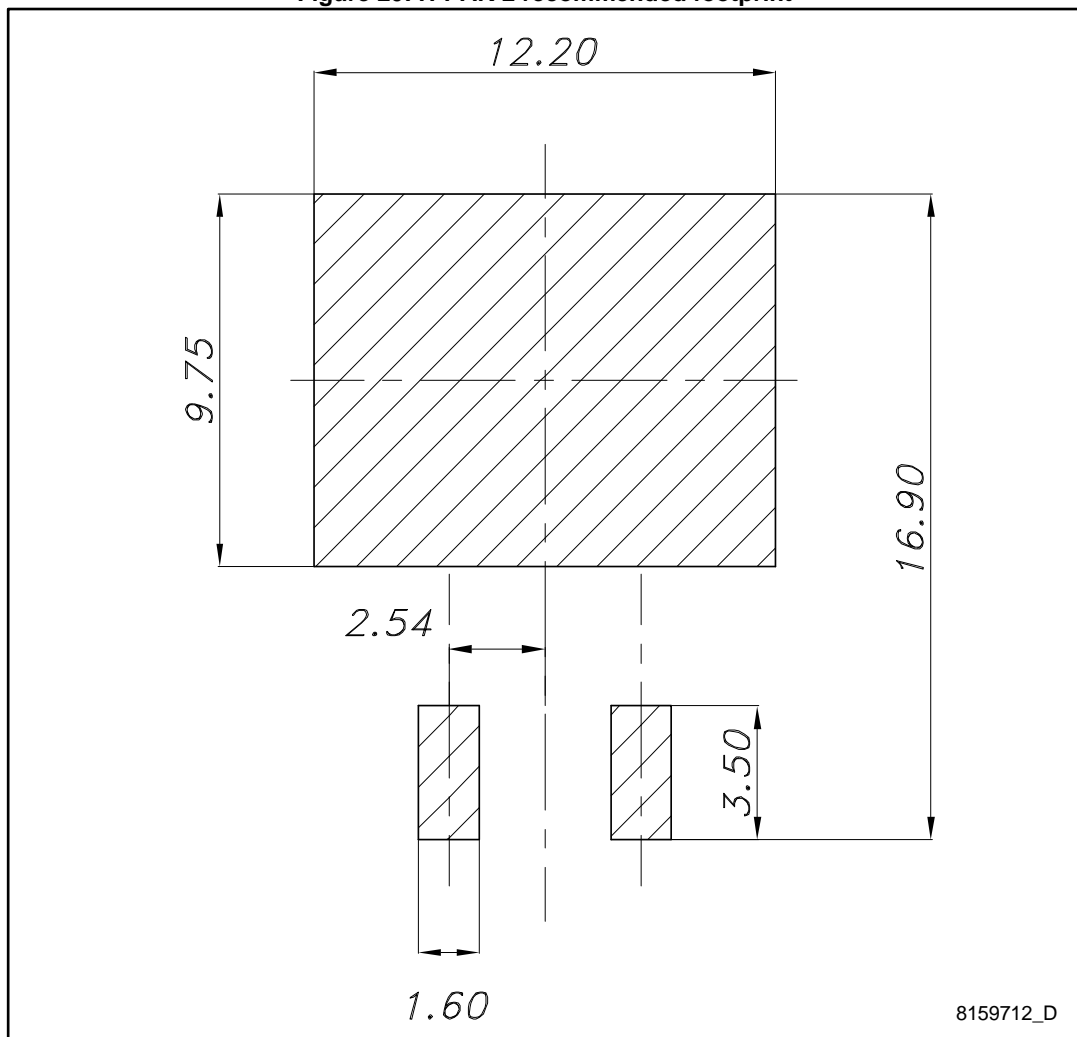


Table 8: H<sup>2</sup>PAK-2 mechanical data

Dim.	mm		
	Min.	Typ.	Max.
A	4.30	-	4.80
A1	0.03		0.20
C	1.17		1.37
e	4.98		5.18
E	0.50		0.90
F	0.78		0.85
H	10.00		10.40
H1	7.40		7.80
L	15.30		15.80
L1	1.27		1.40
L2	4.93		5.23
L3	6.85		7.25
L4	1.5		1.7
M	2.6		2.9
R	0.20		0.60
V	0°		8°

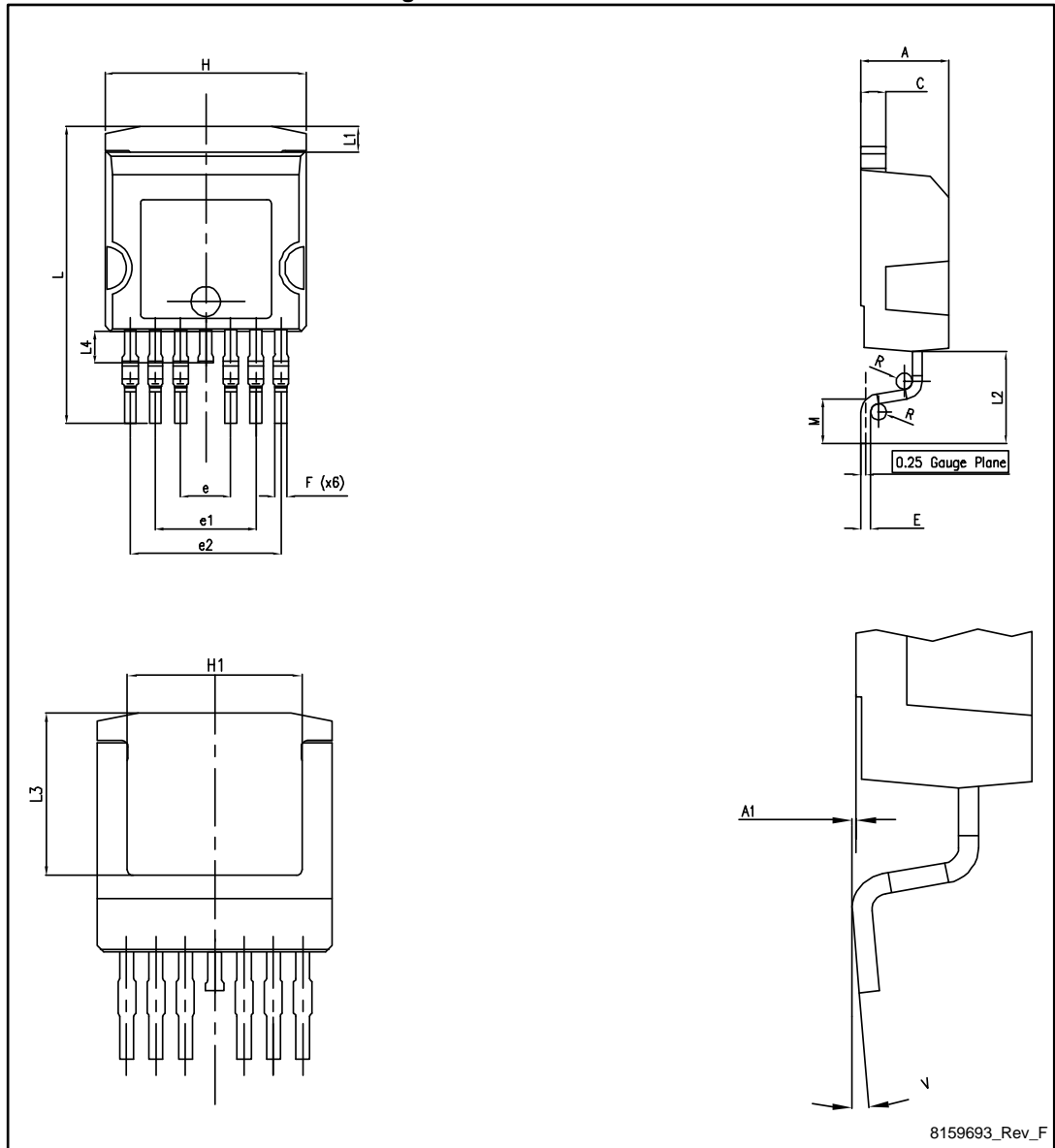
Figure 20: H<sup>2</sup>PAK-2 recommended footprint



8159712\_D

### 4.2 H<sup>2</sup>PAK-6 package information

Figure 21: H<sup>2</sup>PAK-6 outline

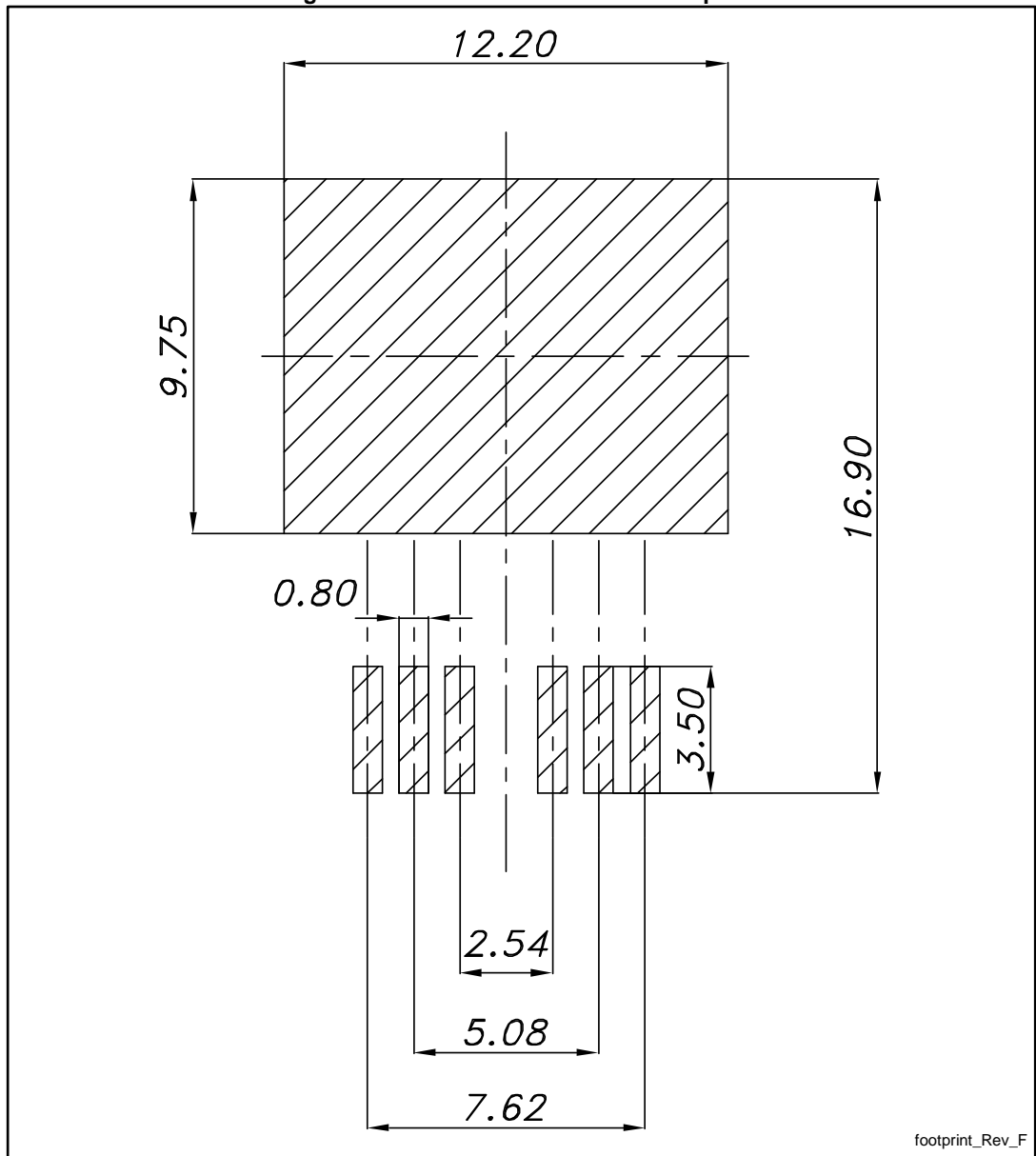


8159693\_Rev\_F

Table 9: H<sup>2</sup>PAK-6 mechanical data

Dim.	mm		
	Min.	Typ.	Max.
A	4.30		4.80
A1	0.03		0.20
C	1.17		1.37
e	2.34		2.74
e1	4.88		5.28
e2	7.42		7.82
E	0.45		0.60
F	0.50		0.70
H	10.00		10.40
H1	7.40		7.80
L	14.75		15.25
L1	1.27		1.40
L2	4.35		4.95
L3	6.85		7.25
L4	1.5		1.75
M	1.90		2.50
R	0.20		0.60
V	0°		8°

Figure 22: H<sup>2</sup>PAK-6 recommended footprint



Dimensions are in mm.

### 4.3 Packing information

Figure 23: Tape outline

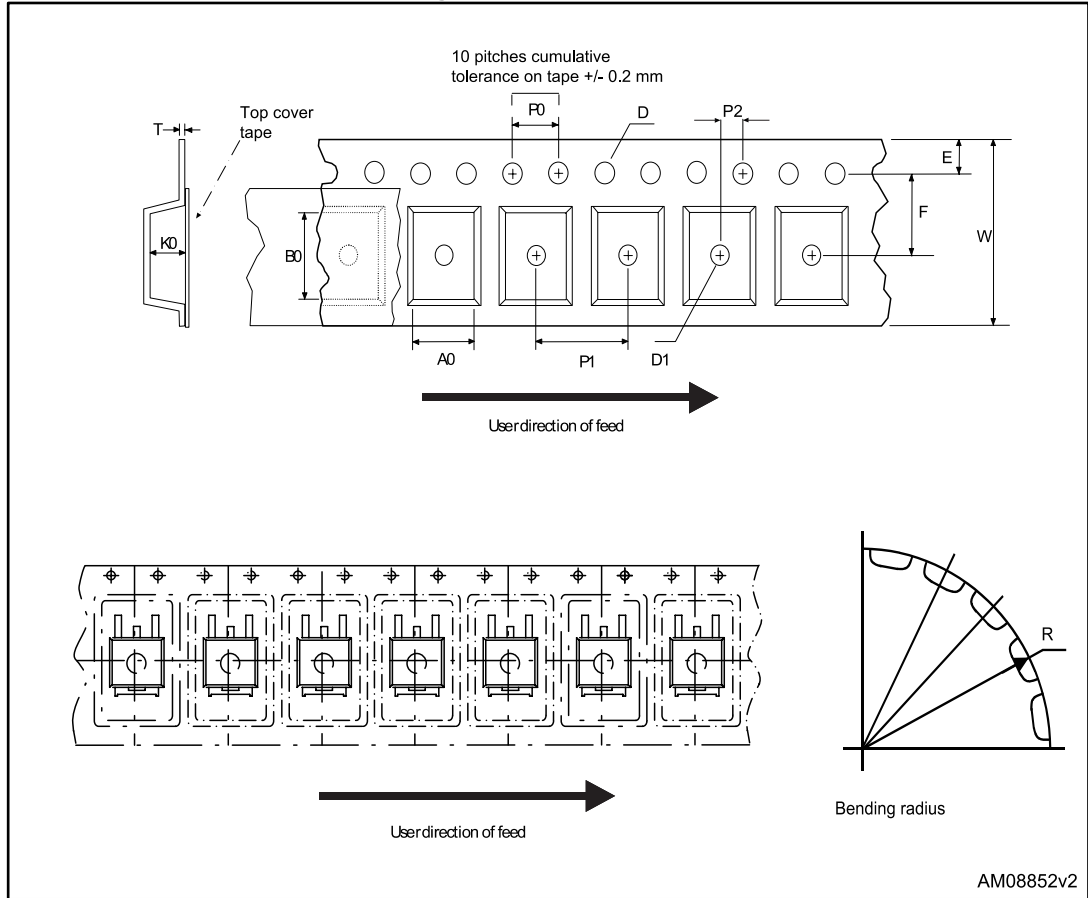


Figure 24: Reel outline

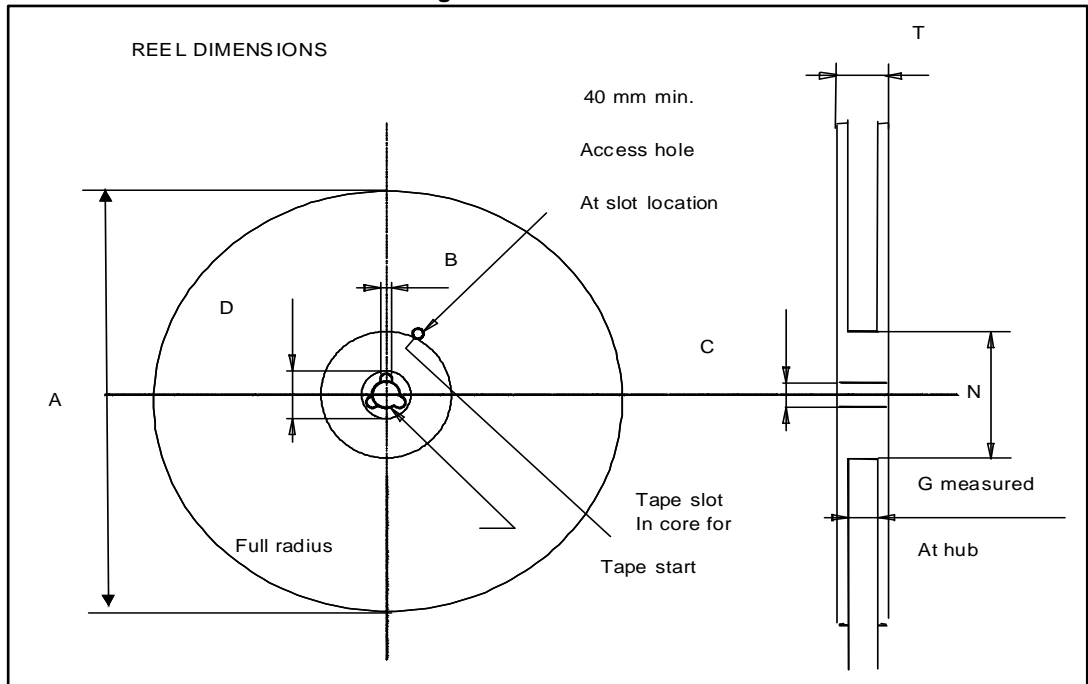


Table 10: Tape and reel mechanical data

Tape			Reel		
Dim.	mm		Dim.	mm	
	Min.	Max.		Min.	Max.
A0	10.5	10.7	A		330
B0	15.7	15.9	B	1.5	
D	1.5	1.6	C	12.8	13.2
D1	1.59	1.61	D	20.2	
E	1.65	1.85	G	24.4	26.4
F	11.4	11.6	N	100	
K0	4.8	5.0	T		30.4
P0	3.9	4.1			
P1	11.9	12.1	Base quantity		1000
P2	1.9	2.1	Bulk quantity		1000
R	50				
T	0.25	0.35			
W	23.7	24.3			

## 5 Revision history

**Table 11: Document revision history**

Date	Revision	Changes
10-Dec-2012	1	Initial release. Part number(s) previously included in datasheet ID02287
23-Jul-2013	2	<ul style="list-style-type: none"><li>• Document status promoted from preliminary to production data</li><li>• Modified: <math>I_{DSS}</math> and <math>V_{GS}</math> value in table 4</li><li>• Added: <math>E_{AS}</math> value in table 2</li><li>• Minor text changes</li></ul>
27-Nov-2014	3	<ul style="list-style-type: none"><li>• Updated: H<sup>2</sup>PAK-6 package information.</li><li>• Updated the title, features and description.</li><li>• Minor text changes.</li></ul>

**IMPORTANT NOTICE – PLEASE READ CAREFULLY**

STMicroelectronics NV and its subsidiaries ("ST") reserve the right to make changes, corrections, enhancements, modifications, and improvements to ST products and/or to this document at any time without notice. Purchasers should obtain the latest relevant information on ST products before placing orders. ST products are sold pursuant to ST's terms and conditions of sale in place at the time of order acknowledgement.

Purchasers are solely responsible for the choice, selection, and use of ST products and ST assumes no liability for application assistance or the design of Purchasers' products.

No license, express or implied, to any intellectual property right is granted by ST herein.

Resale of ST products with provisions different from the information set forth herein shall void any warranty granted by ST for such product.

ST and the ST logo are trademarks of ST. All other product or service names are the property of their respective owners.

Information in this document supersedes and replaces information previously supplied in any prior versions of this document.

© 2014 STMicroelectronics – All rights reserved

# AMEYA360

## Components Supply Platform

### Authorized Distribution Brand :



### Website :

Welcome to visit [www.ameya360.com](http://www.ameya360.com)

### Contact Us :

#### ➤ Address :

401 Building No.5, JiuGe Business Center, Lane 2301, Yishan Rd  
Minhang District, Shanghai , China

#### ➤ Sales :

Direct +86 (21) 6401-6692

Email [amall@ameya360.com](mailto:amall@ameya360.com)

QQ 800077892

Skype [ameyasales1](#) [ameyasales2](#)

#### ➤ Customer Service :

Email [service@ameya360.com](mailto:service@ameya360.com)

#### ➤ Partnership :

Tel +86 (21) 64016692-8333

Email [mkt@ameya360.com](mailto:mkt@ameya360.com)