

Customer Information Sheet

DRAWING No.: S1761-XXR

SHEET 2 OF 2

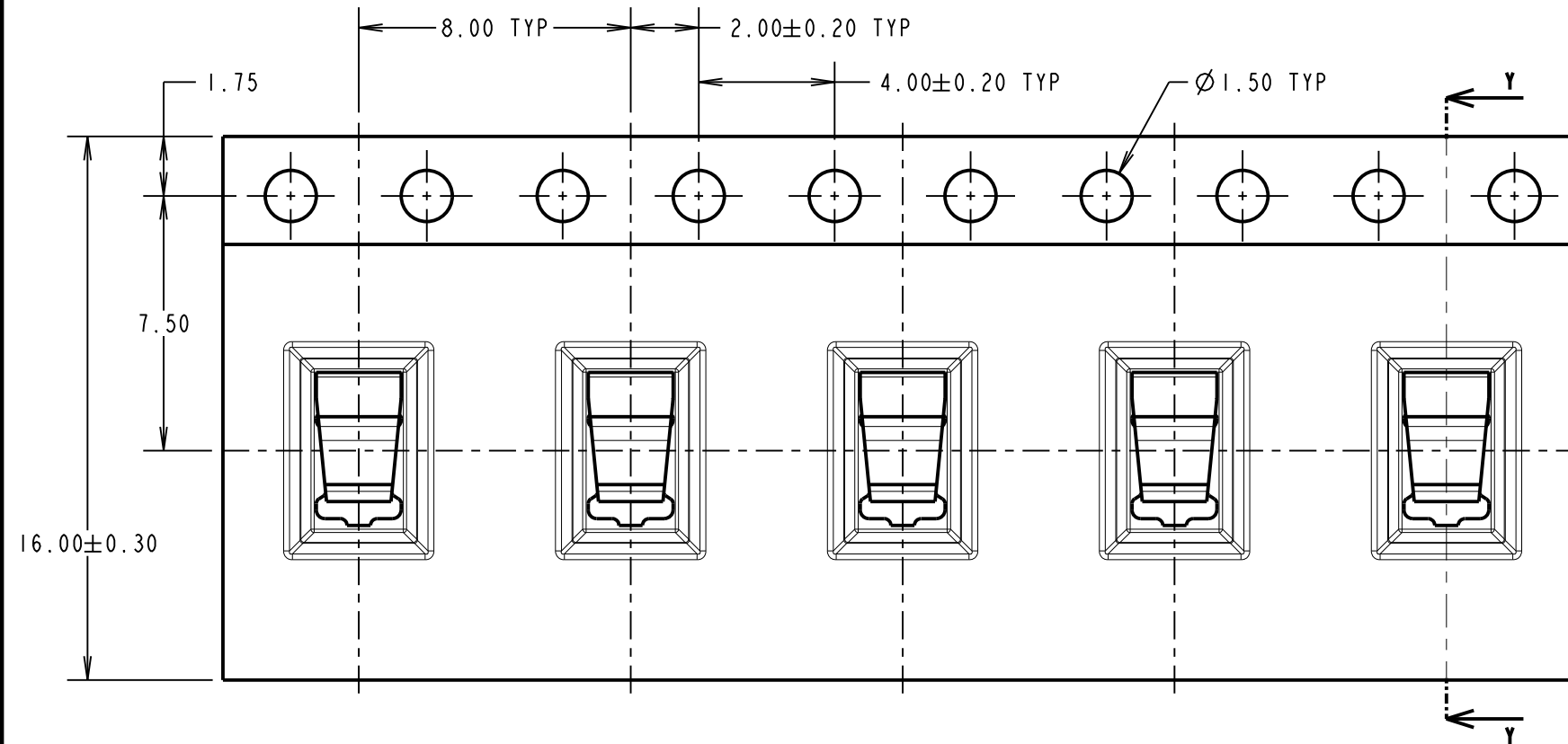
IF IN DOUBT - ASK

©

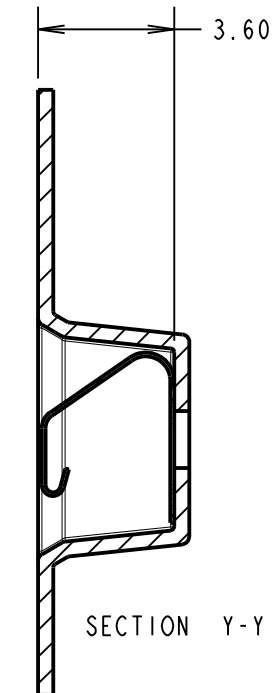
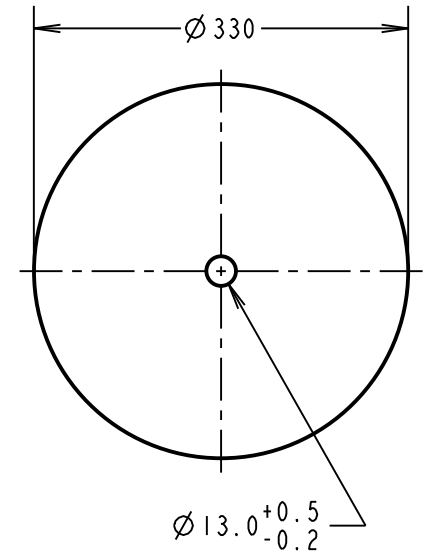
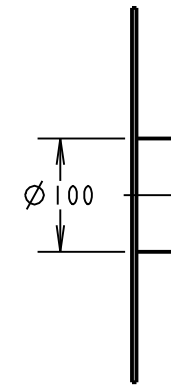
NOT TO SCALE

THIRD ANGLE PROJECTION

ALL DIMENSIONS IN mm

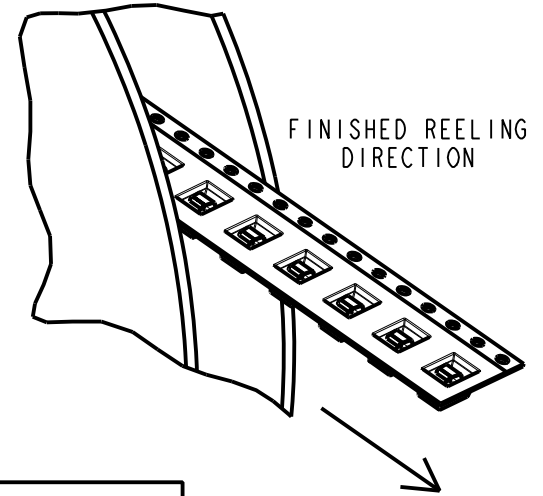
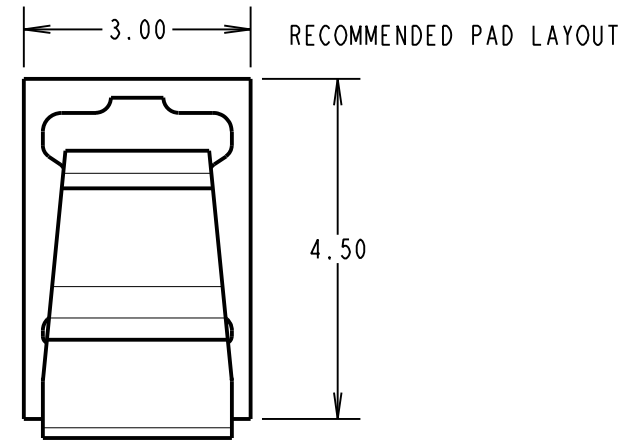
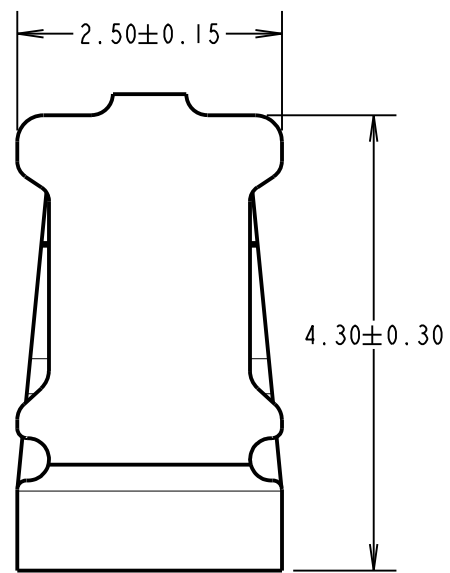
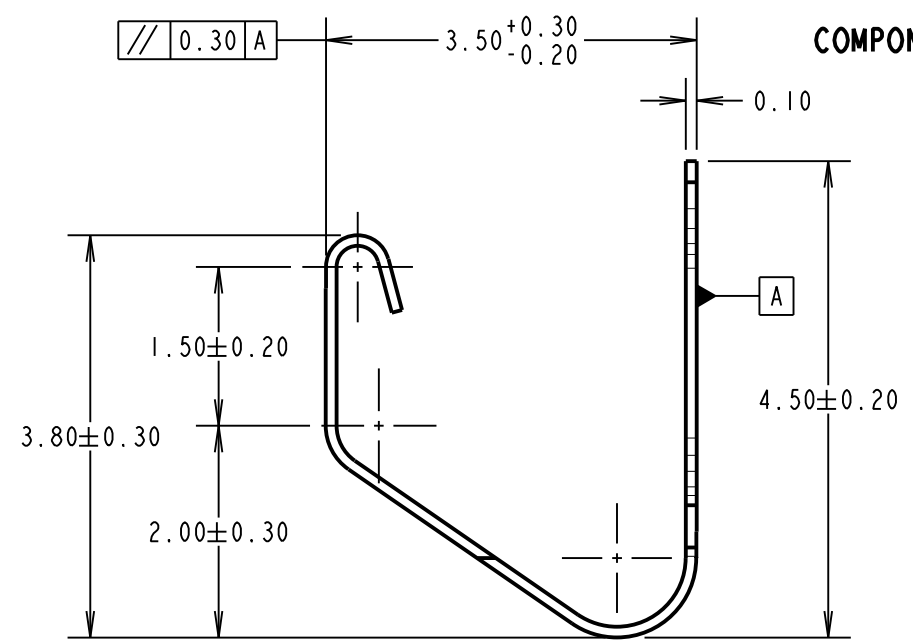


REEL DIMENSIONS



SECTION Y-Y

COMPONENT DETAILS



ORDER CODE:
S1761-XXR

FINISH:
42 = 0.76-1.27µ NICKEL ALL OVER,
GOLD FLASH ON CONTACT AREA,
2.5µ 100% TIN ON FOOT AREA
46 = 100% TIN OVER NICKEL

NOTES:
1. QUANTITY PER REEL = 2000.

SB	8	04.02.14	12352
NAME	ISS.	DATE	C/NOTE
APPROVED: S.BENNETT			
CHECKED: M.PLESTED			
DRAWN: N. CODLING			
CUSTOMER REF.:			
ASSEMBLY DRG:			

COMPONENT SPECIFICATION:
MATERIAL = TITANIUM COPPER ALLOY,
RECOMMENDED WORKING HEIGHT = 2.50mm / MIN FORCE = 1.5N
MINIMUM WORKING HEIGHT = 1.75mm / MAX FORCE = 8.5N
ELECTRICAL:
CURRENT RATING = 4A
MECHANICAL:
DURABILITY = 1500 CYCLES
ENVIRONMENTAL:
OPERATING TEMPERATURE = -55°C TO +125°C

HARWIN

www.harwin.com
technical@harwin.com

THIS DRAWING AND ANY INFORMATION OR DESCRIPTIVE MATTER SET OUT HEREON ARE CONFIDENTIAL AND COPYRIGHT PROPERTY OF THE HARWIN GROUP AND MUST NOT BE DISCLOSED, LOANED, COPIED OR USED FOR MANUFACTURING, TENDERING OR FOR ANY OTHER PURPOSE WITHOUT THEIR WRITTEN PERMISSION.

TOLERANCES
X. = ±1mm
X.X = ±0.25mm
X.XX = ±0.10mm
X.XXX = ±0.01mm
ANGLES = ±5°
UNLESS STATED

MATERIAL: SEE ABOVE
FINISH: SEE ABOVE
S/AREA: mm²

TITLE:
S1761-XX EMI SHIELD FINGER IN TAPE AND REEL
DRAWING NUMBER:
S1761-XXR
SHT 2 OF 2

AMEYA360

Components Supply Platform

Authorized Distribution Brand :



Website :

Welcome to visit www.ameya360.com

Contact Us :

➤ Address :

401 Building No.5, JiuGe Business Center, Lane 2301, Yishan Rd
Minhang District, Shanghai , China

➤ Sales :

Direct +86 (21) 6401-6692

Email amall@ameya360.com

QQ 800077892

Skype ameyasales1 ameyasales2

➤ Customer Service :

Email service@ameya360.com

➤ Partnership :

Tel +86 (21) 64016692-8333

Email mkt@ameya360.com