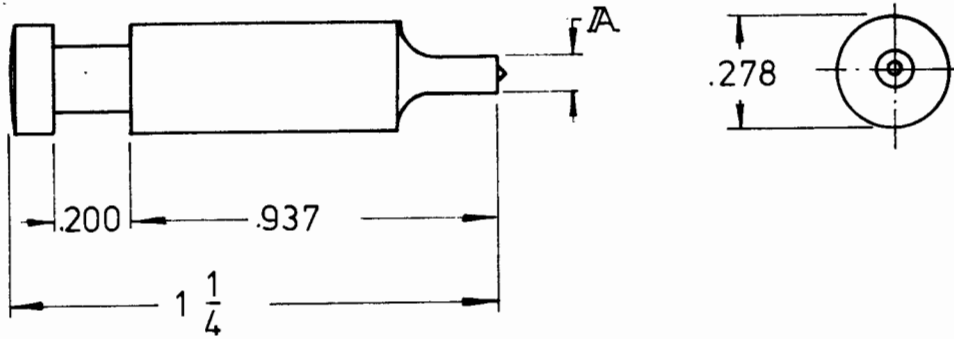
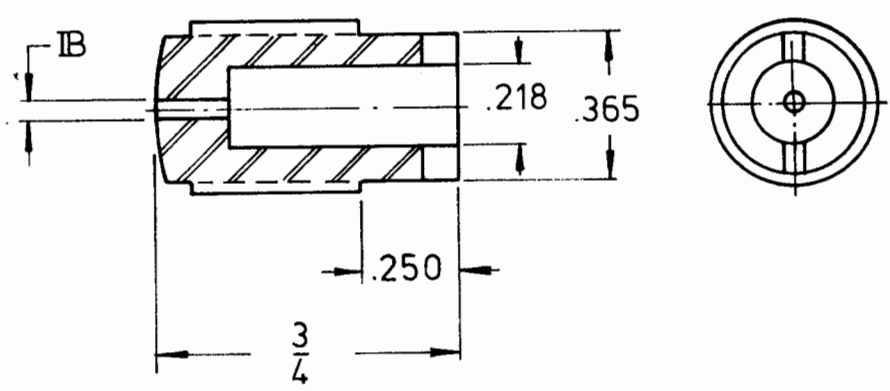


PUNCH



NO.
CODE
M

DIE



P/No.	A	IB
1331	.062	.067
1332	.072	.078
1333	.094	.099
1334	.125	.131
1335	.156	.161
1336	.187	.192

~~CONFIDENTIAL~~

KEYSTONE ELECTRONICS CORP. ASTORIA, N.Y. 11105-2017		
PART NAME DIE SET		
MATERIAL STEEL		
FINISH	DRAWN BY L.N.	DATE 5.19.82
	APPROVED A.A.	SCALE
TOLERANCES FRACTIONAL $\pm .015$ DECIMAL $\pm .005$ ANGULAR $\pm 1/2^\circ$ UNLESS OTHERWISE NOTED		DWG. NO. 1331-1336

DATE	REVISION	ISSUE
------	----------	-------

AMEYA360

Components Supply Platform

Authorized Distribution Brand :



Website :

Welcome to visit www.ameya360.com

Contact Us :

➤ Address :

401 Building No.5, JiuGe Business Center, Lane 2301, Yishan Rd
Minhang District, Shanghai , China

➤ Sales :

Direct +86 (21) 6401-6692

Email amall@ameya360.com

QQ 800077892

Skype [ameyasales1](#) [ameyasales2](#)

➤ Customer Service :

Email service@ameya360.com

➤ Partnership :

Tel +86 (21) 64016692-8333

Email mkt@ameya360.com