

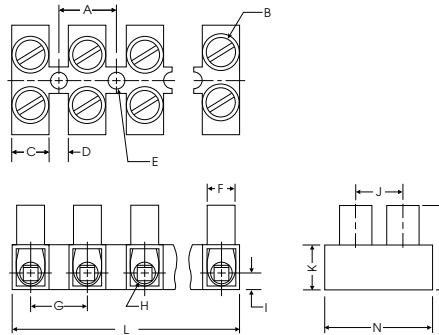
# FEED-THROUGH FLAT BASE EUROSTRIPS® 300V - Panel Mount

For wire-to-wire connections in HVAC, appliance, equipment, power distribution and other industrial applications with strict budget and space requirements.

Easy to use double row terminal strips are a cost-effective alternative to barrier strips or other types of terminal blocks. Simply strip the wire, insert, and tighten the screw.<sup>a</sup> Eurostrips® feature tubular screw clamps, with or without wire protectors, and recessed metal parts for finger protection. The wire protectors include an integral wire stop in the center of the terminal. The stainless steel wire protectors exhibit excellent memory and the wire stop insures the most effective connection.

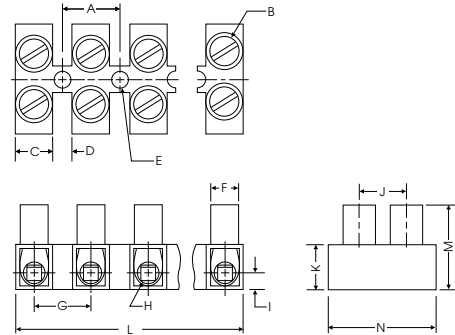
Eurostrips® described on this and the following page are available with a flat base for minimum clearance applications. They can be panel mounted or left to free float. Offered in easy to cut standard 12 pole strips, they can also be ordered pre-cut with the required number of poles.

- Tubular Screw Clamp
- With or Without Wire Protectors
- Panel Mount or Free Float
- Housing Material: Polyamide 6.6
- Color: Opaque White
- Marking Plates or Factory Imprinted



## TS1.5

Flat Base  
Pole Spacing 8mm (.315)  
Mounting Hole Diameter 2.8mm (.110)  
Stripping Length 5mm (.197)



## TS2.5

Flat Base  
Pole Spacing 10mm (.394)  
Mounting Hole Diameter 3.5mm (.138)  
Stripping Length 6mm (.236)

### Ratings

IEC/VDE  
UL (File No. E148805)  
CSA (File No. LR38962)

| Wire Range         | Current | Voltage |
|--------------------|---------|---------|
| 1.5mm <sup>2</sup> | 18A     | 380V    |
| 22-12 AWG          | 20A     | 300V    |
| 22-16 AWG          | 15A     | 300V    |

| Wire Range         | Current | Voltage |
|--------------------|---------|---------|
| 2.5mm <sup>2</sup> | 26A     | 380V    |
| 22-10 AWG          | 30A     | 300V    |
| 18-12 AWG          | 30A     | 300V    |

| Ordering Information                             | No. of Poles  | Type       | Cat. No. | Length (L) mm (in.) | Std. Pk.    |
|--|---|------------|----------|---------------------|-------------|
| <b>Eurostrip®, Flat Base with Wire Protector</b> | 2   | TS1.5/2wp  | 40.002   | 13.6 ( .53)         | 100         |
|  | 3   | TS1.5/3wp  | 40.003   | 21.5 ( .85)         | 100         |
|  | 4   | TS1.5/4wp  | 40.004   | 29.5 (1.16)         | 100         |
|  | 5   | TS1.5/5wp  | 40.005   | 37.4 (1.47)         | 100         |
|  | 6   | TS1.5/6wp  | 40.006   | 45.4 (1.79)         | 50          |
|  | 7   | TS1.5/7wp  | 40.007   | 53.3 (2.10)         | 50          |
|  | 8   | TS1.5/8wp  | 40.008   | 61.3 (2.41)         | 50          |
|  | 9   | TS1.5/9wp  | 40.009   | 69.2 (2.72)         | 50          |
|  | 10  | TS1.5/10wp | 40.010   | 77.2 (3.04)         | 50          |
|  | 11  | TS1.5/11wp | 40.011   | 85.1 (3.35)         | 50          |
|  | 12  | TS1.5/12wp | 40.012   | 93.0 (3.66)         | 50          |
|  | <b>Eurostrip®, Flat Base without Wire Protector<sup>b</sup></b> | 2          | TS1.5/2  | 40.052              | 13.6 ( .53) |
| 3  |   | TS1.5/3    | 40.053   | 21.5 ( .85)         | 100         |
| 4  |   | TS1.5/4    | 40.054   | 29.5 (1.16)         | 100         |
| 5  |   | TS1.5/5    | 40.055   | 37.4 (1.47)         | 100         |
| 6  |   | TS1.5/6    | 40.056   | 45.4 (1.79)         | 50          |
| 7  |   | TS1.5/7    | 40.057   | 53.3 (2.10)         | 50          |
| 8  |   | TS1.5/8    | 40.058   | 61.3 (2.41)         | 50          |
| 9  |   | TS1.5/9    | 40.059   | 69.2 (2.72)         | 50          |
| 10   |   | TS1.5/10   | 40.060   | 77.2 (3.04)         | 50          |
| 11   |   | TS1.5/11   | 40.061   | 85.1 (3.35)         | 50          |
| 12   |   | TS1.5/12   | 40.062   | 93.0 (3.66)         | 50          |

| Ordering Information                             | No. of Poles  | Type       | Cat. No. | Length (L) mm (in.) | Std. Pk.    |
|--|---|------------|----------|---------------------|-------------|
| <b>Eurostrip®, Flat Base with Wire Protector</b> | 2   | TS2.5/2wp  | 40.202   | 17.0 ( .67)         | 100         |
|  | 3   | TS2.5/3wp  | 40.203   | 27.0 (1.06)         | 100         |
|  | 4   | TS2.5/4wp  | 40.204   | 37.0 (1.46)         | 100         |
|  | 5   | TS2.5/5wp  | 40.205   | 47.0 (1.85)         | 100         |
|  | 6   | TS2.5/6wp  | 40.206   | 57.0 (2.24)         | 50          |
|  | 7   | TS2.5/7wp  | 40.207   | 67.0 (2.64)         | 50          |
|  | 8   | TS2.5/8wp  | 40.208   | 77.0 (3.03)         | 50          |
|  | 9   | TS2.5/9wp  | 40.209   | 87.0 (3.43)         | 50          |
|  | 10  | TS2.5/10wp | 40.210   | 97.0 (3.82)         | 50          |
|  | 11  | TS2.5/11wp | 40.211   | 107.0 (4.21)        | 50          |
|  | 12  | TS2.5/12wp | 40.212   | 117.0 (4.61)        | 50          |
|  | <b>Eurostrip®, Flat Base without Wire Protector<sup>b</sup></b> | 2          | TS2.5/2  | 40.252              | 17.0 ( .67) |
| 3  |   | TS2.5/3    | 40.253   | 27.0 (1.06)         | 100         |
| 4  |   | TS2.5/4    | 40.254   | 37.0 (1.46)         | 100         |
| 5  |   | TS2.5/5    | 40.255   | 47.0 (1.85)         | 100         |
| 6  |   | TS2.5/6    | 40.256   | 57.0 (2.24)         | 50          |
| 7  |   | TS2.5/7    | 40.257   | 67.0 (2.64)         | 50          |
| 8  |   | TS2.5/8    | 40.258   | 77.0 (3.03)         | 50          |
| 9  |   | TS2.5/9    | 40.259   | 87.0 (3.43)         | 50          |
| 10   |   | TS2.5/10   | 40.260   | 97.0 (3.82)         | 50          |
| 11   |   | TS2.5/11   | 40.261   | 107.0 (4.21)        | 50          |
| 12   |   | TS2.5/12   | 40.262   | 117.0 (4.61)        | 50          |

For Accessories, please refer to pages 50, 51

### Dimensions mm (in.)

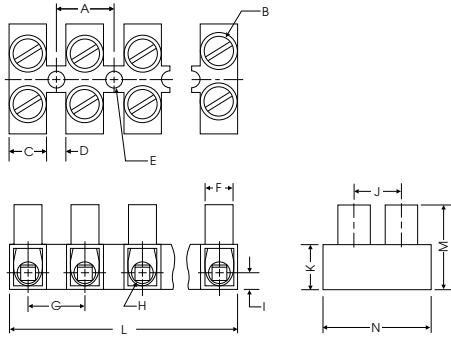
|                |                  |                 |
|----------------|------------------|-----------------|
| A = 8.0 (.315) | E = Ø2.8 (.110)  | I = 2.5 (.099)  |
| B = M2.5 x 4.3 | F = Ø5.35 (.211) | J = 7.5 (.296)  |
| C = 5.6 (.221) | G = 8.0 (.315)   | K = 6.7 (.264)  |
| D = 2.4 (.095) | H = Ø3.0 (.118)  | M = 13.7 (.540) |
|                |                  | N = 18.2 (.716) |

### Dimensions mm (in.)

|                 |                 |                 |
|-----------------|-----------------|-----------------|
| A = 10.0 (.394) | E = Ø3.5 (.137) | I = 3.0 (.118)  |
| B = M3 x 5.8    | F = Ø5.7 (.225) | J = 9.5 (.374)  |
| C = 6.4 (.252)  | G = 10.0 (.394) | K = 8.0 (.315)  |
| D = 3.5 (.138)  | H = Ø3.6 (.142) | M = 15.5 (.611) |
|                 |                 | N = 21.8 (.858) |

<sup>a</sup> Clamp screws are zinc chromated steel. Stainless steel or nickel plated brass screws are available, consult Altech for ordering information.

<sup>b</sup> Use for solid wire or wire with a ferrule.



## TS6

Flat Base  
 Pole Spacing 12mm (.472)  
 Mounting Hole Diameter 4.2mm (.165)  
 Stripping Length 7mm (.276)

| Wire Range       | Current | Voltage |
|------------------|---------|---------|
| 6mm <sup>2</sup> | 44A     | 380V    |
| 20-8 AWG         | 40A     | 300V    |
| 18-10 AWG        | 40A     | 300V    |

| Type     | Cat. No. | Length (L)<br>mm (in.) | Std. Pk. |
|----------|----------|------------------------|----------|
| TS6/2wp  | 40.402   | 20.0 (.79)             | 100      |
| TS6/3wp  | 40.403   | 32.0 (1.26)            | 100      |
| TS6/4wp  | 40.404   | 44.0 (1.73)            | 100      |
| TS6/5wp  | 40.405   | 56.0 (2.21)            | 100      |
| TS6/6wp  | 40.406   | 68.0 (2.68)            | 50       |
| TS6/7wp  | 40.407   | 80.0 (3.15)            | 50       |
| TS6/8wp  | 40.408   | 92.0 (3.62)            | 50       |
| TS6/9wp  | 40.409   | 104.0 (4.10)           | 50       |
| TS6/10wp | 40.410   | 116.0 (4.57)           | 25       |
| TS6/11wp | 40.411   | 128.0 (5.03)           | 25       |
| TS6/12wp | 40.412   | 140.0 (5.51)           | 25       |
|          |          |                        |          |
| TS6/2    | 40.452   | 20.0 (.79)             | 100      |
| TS6/3    | 40.453   | 32.0 (1.26)            | 100      |
| TS6/4    | 40.454   | 44.0 (1.73)            | 100      |
| TS6/5    | 40.455   | 56.0 (2.21)            | 100      |
| TS6/6    | 40.456   | 68.0 (2.68)            | 50       |
| TS6/7    | 40.457   | 80.0 (3.15)            | 50       |
| TS6/8    | 40.458   | 92.0 (3.62)            | 50       |
| TS6/9    | 40.459   | 104.0 (4.10)           | 50       |
| TS6/10   | 40.460   | 116.0 (4.57)           | 25       |
| TS6/11   | 40.461   | 128.0 (5.03)           | 25       |
| TS6/12   | 40.462   | 140.0 (5.51)           | 25       |

### Dimensions mm (in.)

|                 |                 |                 |
|-----------------|-----------------|-----------------|
| A = 12.0 (.472) | E = Ø4.4 (.173) | I = 4.3 (.169)  |
| B = M3.5 x 7    | F = Ø6.8 (.268) | J = 9.5 (.374)  |
| C = 7.6 (.299)  | G = 12.0 (.472) | K = 9.0 (.354)  |
| D = 4.3 (.169)  | H = Ø4.2 (.165) | M = 17.7 (.697) |
|                 |                 | N = 23.0 (.906) |

# FEED-THROUGH EUROSTRIPS®

## 300V and 600V

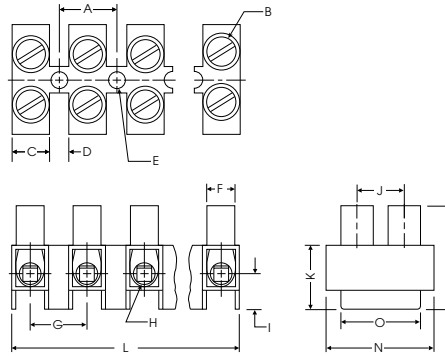
### Standoff Feet Panel Mount

For wire-to-wire connections in HVAC, appliance, equipment, power distribution and other industrial applications with restricted budget and space requirements.

Easy to use double row terminal strips are a cost-effective alternative to barrier strips or other types of terminal blocks. Simply strip the wire, insert, and tighten the screw.<sup>a</sup> Eurostrips® feature tubular screw clamps, with or without wire protectors, and recessed screws and contacts to prevent shocks and shorts. The wire protectors include an integral wire stop in the center of the terminal. The stainless steel wire protectors exhibit excellent memory and the wire stop insures the most efficient connection.

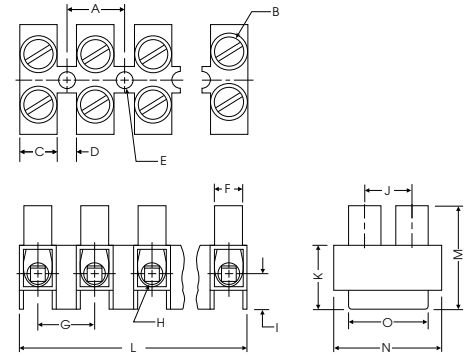
Eurostrips described on this and the following page are available with standoff feet for increased wiring efficiency. They can be panel mounted or left to free float. Offered in easy to cut 12 pole strips, they can also be ordered precut with the required number of poles.

- Tubular Screw Clamp
- With or Without Wire Protectors
- Panel Mount or Free Float
- Housing Material: Polyamide 6.6
- Color: Opaque White
- Marking Plates or Factory Imprinted



### TSF1.5

Standoff Feet  
Pole Spacing 8mm (.315)  
Mounting Hole Diameter 2.8mm (.110)  
Stripping Length 5mm (.197)



### TSF2.5

Standoff Feet  
Pole Spacing 10mm (.394)  
Mounting Hole Diameter 3.5mm (.138)  
Stripping Length 6mm (.236)

#### Ratings

IEC/VDE

UL (File No. E148805)

CSA (File No. LR38962)

#### Wire Range

1.5mm<sup>2</sup>

22-12 AWG

22-16 AWG

#### Current

18A

20A

15A

#### Voltage

380V

600V

300V

#### Wire Range

2.5mm<sup>2</sup>

22-10 AWG

18-12 AWG

#### Current

26A

30A

30A

#### Voltage

380V

600V

600V

#### Ordering Information

No. of Poles

Type

Cat. No.

Length (L)  
mm (in.)

Std. Pk.

Type

Cat. No.

Length (L)  
mm (in.)

Std. Pk.

**Eurostrip®, Standoff Feet with Wire Protector**

|    |             |        |             |     |
|----|-------------|--------|-------------|-----|
| 2  | TSF1.5/2wp  | 40.102 | 13.6 ( .53) | 100 |
| 3  | TSF1.5/3wp  | 40.103 | 21.5 ( .85) | 100 |
| 4  | TSF1.5/4wp  | 40.104 | 29.5 (1.16) | 100 |
| 5  | TSF1.5/5wp  | 40.105 | 37.4 (1.47) | 100 |
| 6  | TSF1.5/6wp  | 40.106 | 45.4 (1.79) | 50  |
| 7  | TSF1.5/7wp  | 40.107 | 53.3 (2.10) | 50  |
| 8  | TSF1.5/8wp  | 40.108 | 61.3 (2.41) | 50  |
| 9  | TSF1.5/9wp  | 40.109 | 69.2 (2.72) | 50  |
| 10 | TSF1.5/10wp | 40.110 | 77.2 (3.04) | 50  |
| 11 | TSF1.5/11wp | 40.111 | 85.1 (3.35) | 50  |
| 12 | TSF1.5/12wp | 40.112 | 93.0 (3.66) | 50  |

|             |        |              |     |
|-------------|--------|--------------|-----|
| TSF2.5/2wp  | 40.302 | 17.0 ( .67)  | 100 |
| TSF2.5/3wp  | 40.303 | 27.0 (1.06)  | 100 |
| TSF2.5/4wp  | 40.304 | 37.0 (1.46)  | 100 |
| TSF2.5/5wp  | 40.305 | 47.0 (1.85)  | 100 |
| TSF2.5/6wp  | 40.306 | 57.0 (2.24)  | 50  |
| TSF2.5/7wp  | 40.307 | 67.0 (2.64)  | 50  |
| TSF2.5/8wp  | 40.308 | 77.0 (3.03)  | 50  |
| TSF2.5/9wp  | 40.309 | 87.0 (3.43)  | 50  |
| TSF2.5/10wp | 40.310 | 97.0 (3.82)  | 50  |
| TSF2.5/11wp | 40.311 | 107.0 (4.21) | 50  |
| TSF2.5/12wp | 40.312 | 117.0 (4.61) | 50  |

**Eurostrip®, Standoff Feet without Wire Protector<sup>b</sup>**

|    |           |        |             |     |
|----|-----------|--------|-------------|-----|
| 2  | TSF1.5/2  | 40.152 | 13.6 ( .53) | 100 |
| 3  | TSF1.5/3  | 40.153 | 21.5 ( .85) | 100 |
| 4  | TSF1.5/4  | 40.154 | 29.5 (1.16) | 100 |
| 5  | TSF1.5/5  | 40.155 | 37.4 (1.47) | 100 |
| 6  | TSF1.5/6  | 40.156 | 45.4 (1.79) | 50  |
| 7  | TSF1.5/7  | 40.157 | 53.3 (2.10) | 50  |
| 8  | TSF1.5/8  | 40.158 | 61.3 (2.41) | 50  |
| 9  | TSF1.5/9  | 40.159 | 69.2 (2.72) | 50  |
| 10 | TSF1.5/10 | 40.160 | 77.2 (3.04) | 50  |
| 11 | TSF1.5/11 | 40.161 | 85.1 (3.35) | 50  |
| 12 | TSF1.5/12 | 40.162 | 93.0 (3.66) | 50  |

|           |        |              |     |
|-----------|--------|--------------|-----|
| TSF2.5/2  | 40.352 | 17.0 ( .67)  | 100 |
| TSF2.5/3  | 40.353 | 27.0 (1.06)  | 100 |
| TSF2.5/4  | 40.354 | 37.0 (1.46)  | 100 |
| TSF2.5/5  | 40.355 | 47.0 (1.85)  | 50  |
| TSF2.5/6  | 40.356 | 57.0 (2.24)  | 50  |
| TSF2.5/7  | 40.357 | 67.0 (2.64)  | 50  |
| TSF2.5/8  | 40.358 | 77.0 (3.03)  | 50  |
| TSF2.5/9  | 40.359 | 87.0 (3.43)  | 50  |
| TSF2.5/10 | 40.360 | 97.0 (3.82)  | 50  |
| TSF2.5/11 | 40.361 | 107.0 (4.21) | 50  |
| TSF2.5/12 | 40.362 | 117.0 (4.61) | 50  |

#### For Accessories, please refer to pages 50, 51

#### Dimensions mm (in.)

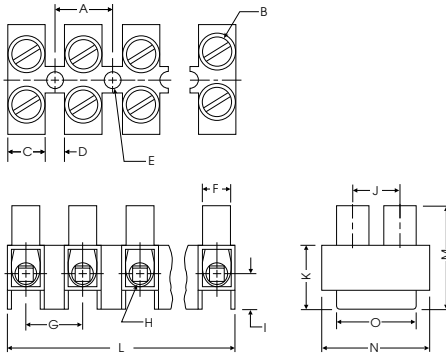
|                |                  |                 |
|----------------|------------------|-----------------|
| A = 8.0 (.315) | E = Ø2.8 (.110)  | J = 7.5 (.296)  |
| B = M2.5 x 4.3 | F = Ø5.35 (.211) | K = 10.1 (.398) |
| C = 5.6 (.221) | G = 8.0 (.315)   | M = 17.0 (.670) |
| D = 2.4 (.095) | H = Ø3.0 (.118)  | N = 18.2 (.716) |
|                | I = 6.1 (.240)   | O = 12.0 (.472) |

#### Dimensions mm (in.)

|                 |                 |                 |
|-----------------|-----------------|-----------------|
| A = 10.0 (.394) | E = Ø3.5 (.138) | J = 9.5 (.374)  |
| B = M3 x 5.8    | F = Ø5.7 (.225) | K = 12.0 (.472) |
| C = 6.4 (.252)  | G = 10.0 (.394) | M = 19.4 (.764) |
| D = 3.5 (.138)  | H = Ø3.6 (.142) | N = 22.3 (.879) |
|                 | I = 7.4 (.292)  | O = 14.0 (.552) |

<sup>a</sup>Clamp screws are zinc chromated steel. Stainless steel or nickel plated brass screws are available, consult Altech for ordering information.

<sup>b</sup>Use for solid wire or wire with a ferrule.



## TSF6

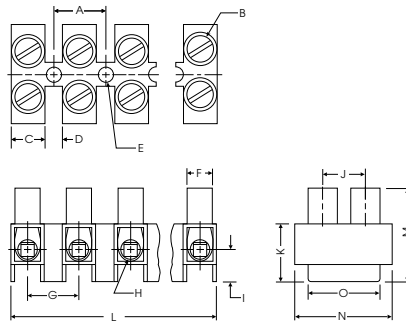
Standoff Feet  
 Pole Spacing 12mm (.472)  
 Mounting Hole Diameter 4.2mm (.165)  
 Stripping Length 7mm (.276)

| Wire Range       | Current | Voltage |
|------------------|---------|---------|
| 6mm <sup>2</sup> | 44A     | 380V    |
| 20-8 AWG         | 40A     | 600V    |
| 18-10 AWG        | 40A     | 600V    |

| Type      | Cat. No. | Length (L)<br>mm (in.) | Std.<br>Pk. |
|-----------|----------|------------------------|-------------|
| TSF6/2wp  | 40.502   | 20.0 (.79)             | 100         |
| TSF6/3wp  | 40.503   | 32.0 (1.26)            | 100         |
| TSF6/4wp  | 40.504   | 44.0 (1.73)            | 100         |
| TSF6/5wp  | 40.505   | 56.0 (2.21)            | 100         |
| TSF6/6wp  | 40.506   | 68.0 (2.68)            | 50          |
| TSF6/7wp  | 40.507   | 80.0 (3.15)            | 50          |
| TSF6/8wp  | 40.508   | 92.0 (3.62)            | 50          |
| TSF6/9wp  | 40.509   | 104.0 (4.10)           | 50          |
| TSF6/10wp | 40.510   | 116.0 (4.57)           | 25          |
| TSF6/11wp | 40.511   | 128.0 (5.03)           | 25          |
| TSF6/12wp | 40.512   | 140.0 (5.51)           | 25          |
| TSF6/2    | 40.552   | 20.0 (.79)             | 100         |
| TSF6/3    | 40.553   | 32.0 (1.26)            | 100         |
| TSF6/4    | 40.554   | 44.0 (1.73)            | 100         |
| TSF6/5    | 40.555   | 56.0 (2.21)            | 100         |
| TSF6/6    | 40.556   | 68.0 (2.68)            | 50          |
| TSF6/7    | 40.557   | 80.0 (3.15)            | 50          |
| TSF6/8    | 40.558   | 92.0 (3.62)            | 50          |
| TSF6/9    | 40.559   | 104.0 (4.10)           | 50          |
| TSF6/10   | 40.560   | 116.0 (4.57)           | 25          |
| TSF6/11   | 40.561   | 128.0 (5.03)           | 25          |
| TSF6/12   | 40.562   | 140.0 (5.51)           | 25          |

### Dimensions mm (in.)

|                 |                 |                 |
|-----------------|-----------------|-----------------|
| A = 12.0 (.472) | E = Ø4.4 (.173) | J = 9.6 (.378)  |
| B = M3.5 x 7    | F = Ø6.8 (.268) | K = 12.5 (.492) |
| C = 7.6 (.299)  | G = 12.0 (.472) | M = 20.9 (.823) |
| D = 4.3 (.169)  | H = 4.2 (.165)  | N = 23.0 (.906) |
|                 | I = 8.5 (.335)  | O = 15.8 (.622) |



## TSF16

Standoff Feet  
 Pole Spacing 15.1mm (.595)  
 Mounting Hole Diameter 4.0mm (.157)  
 Stripping Length 8mm (.315)

| Wire Range        | Current | Voltage |
|-------------------|---------|---------|
| 16mm <sup>2</sup> | 82A     | 660V    |
| 14-6 AWG          | 63A     | 600V    |
| 18-6 AWG          | 65A     | 600V    |

| Type       | Cat. No. | Length (L)<br>mm (in.) | Std.<br>Pk. |
|------------|----------|------------------------|-------------|
| TSF16/2wp  | 40.702   | 25.0 (.98)             | 40          |
| TSF16/3wp  | 40.703   | 40.0 (1.58)            | 40          |
| TSF16/4wp  | 40.704   | 55.0 (2.17)            | 40          |
| TSF16/5wp  | 40.705   | 70.5 (2.28)            | 40          |
| TSF16/6wp  | 40.706   | 86.0 (3.39)            | 20          |
| TSF16/7wp  | 40.707   | 101.0 (3.98)           | 20          |
| TSF16/8wp  | 40.708   | 116.0 (4.57)           | 20          |
| TSF16/9wp  | 40.709   | 131.0 (5.16)           | 10          |
| TSF16/10wp | 40.710   | 146.0 (5.75)           | 10          |
| TSF16/11wp | 40.711   | 161.0 (6.34)           | 10          |
| TSF16/12wp | 40.712   | 176.0 (6.93)           | 10          |
| TSF16/2    | 40.752   | 25.0 (.98)             | 40          |
| TSF16/3    | 40.753   | 40.0 (1.58)            | 40          |
| TSF16/4    | 40.754   | 55.0 (2.17)            | 40          |
| TSF16/5    | 40.755   | 70.5 (2.28)            | 40          |
| TSF16/6    | 40.756   | 86.0 (3.39)            | 20          |
| TSF16/7    | 40.757   | 101.0 (3.98)           | 20          |
| TSF16/8    | 40.758   | 116.0 (4.57)           | 20          |
| TSF16/9    | 40.759   | 131.0 (5.16)           | 10          |
| TSF16/10   | 40.760   | 146.0 (5.75)           | 10          |
| TSF16/11   | 40.761   | 161.0 (6.34)           | 10          |
| TSF16/12   | 40.762   | 176.0 (6.93)           | 10          |

### Dimensions mm (in.)

|                 |                 |                  |
|-----------------|-----------------|------------------|
| A = 15.1 (.595) | E = Ø4.2 (.165) | J = 11.0 (.433)  |
| B = M5 x 8      | F = Ø8.0 (.315) | K = 16.5 (.650)  |
| C = 9.6 (.378)  | G = 15.1 (.595) | M = 25.8 (1.017) |
| D = 5.4 (.213)  | H = Ø6.0 (.236) | N = 26.3 (1.035) |
|                 | I = 10.4 (.410) | O = 15.1 (.595)  |

# PLUGGABLE EUROSTRIPS®

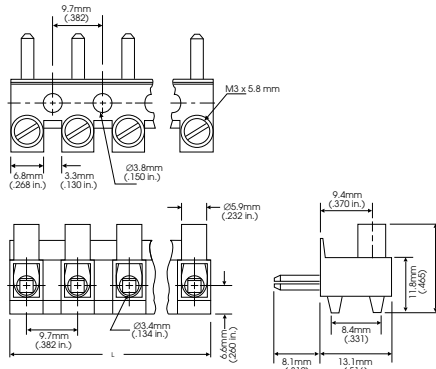
## 300 V - Panel Mount

For wire-to-wire connections in HVAC, appliance, equipment, power and other distribution applications. Pluggable Eurostrips® speed and simplify replacement of subassemblies, etc. They reduce downtime and misconnections.

Two-piece pluggable terminal strips feature tubular screw clamps, with or without wire protectors, and recessed metal parts for finger protection. A spring loaded contact prevents inadvertent unplugging.

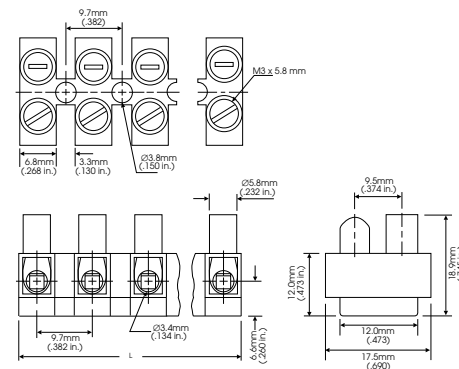
The headers and plugs have standoff feet for increased accessibility and can be panel mounted or free float. Offered in easy to cut 12 pole strips, they can also be ordered precut with the required number of poles.

- Tubular Screw Clamp
- Copper Alloy Wire Protectors
- Panel Mount or Free Float
- Housing Material: Polyamide 6.6
- Color: Opaque White



### TSP2.5 PLUG

Standoff Feet  
Pole Spacing 10mm (.394)  
Mounting Hole Diameter 3.5mm (.138)  
Stripping Length 6mm (.236)



### TSH2.5 HEADER

Standoff Feet  
Pole Spacing 10mm (.394)  
Mounting Hole Diameter 3.5mm (.138)  
Stripping Length 6mm (.236)

**Ratings**  
IEC/VDE  
UL (File No. E103245)

**Wire Range** 2.5mm<sup>2</sup> 20-12 AWG  
**Current** 16A 13A  
**Voltage** 380V 300V

**Wire Range** 2.5mm<sup>2</sup> 20-12 AWG  
**Current** 16A 13A  
**Voltage** 380V 300V

| Ordering Information                            |   | No. of Poles | Type          | Cat. No.      | Length (L) mm (in.) | Std. Pk.    | Type          | Cat. No.      | Length (L) mm (in.) | Std. Pk. |
|---|---|--------------|---------------|---------------|---------------------|-------------|---------------|---------------|---------------------|----------|
| <b>Eurostrip® Plug</b><br>with Wire Protector   | 2   | TSP2.5/2wp   | <b>40.802</b> | 17.0 (.67)    | 50                  | TSH2.5/2wp  | <b>40.902</b> | 17.0 (.67)    | 50                  |          |
|   | 3   | TSP2.5/3wp   | <b>40.803</b> | 27.0 (1.06)   | 50                  | TSH2.5/3wp  | <b>40.903</b> | 27.0 (1.06)   | 50                  |          |
|   | 4   | TSP2.5/4wp   | <b>40.804</b> | 37.0 (1.46)   | 50                  | TSH2.5/4wp  | <b>40.904</b> | 37.0 (1.46)   | 50                  |          |
|   | 5   | TSP2.5/5wp   | <b>40.805</b> | 47.0 (1.85)   | 50                  | TSH2.5/5wp  | <b>40.905</b> | 47.0 (1.85)   | 50                  |          |
| <b>Eurostrip® Header</b><br>with Wire Protector | 6   | TSP2.5/6wp   | <b>40.806</b> | 57.0 (2.24)   | 25                  | TSH2.5/6wp  | <b>40.906</b> | 57.0 (2.24)   | 25                  |          |
|   | 7   | TSP2.5/7wp   | <b>40.807</b> | 67.0 (2.64)   | 25                  | TSH2.5/7wp  | <b>40.907</b> | 67.0 (2.64)   | 25                  |          |
|   | 8   | TSP2.5/8wp   | <b>40.808</b> | 77.0 (3.03)   | 25                  | TSH2.5/8wp  | <b>40.908</b> | 77.0 (3.03)   | 25                  |          |
|   | 9   | TSP2.5/9wp   | <b>40.809</b> | 87.0 (3.43)   | 25                  | TSH2.5/9wp  | <b>40.909</b> | 87.0 (3.43)   | 25                  |          |
|   | 10  | TSP2.5/10wp  | <b>40.810</b> | 97.0 (3.82)   | 10                  | TSH2.5/10wp | <b>40.910</b> | 97.0 (3.82)   | 10                  |          |
|   | 11  | TSP2.5/11wp  | <b>40.811</b> | 107.0 (4.21)  | 10                  | TSH2.5/11wp | <b>40.911</b> | 107.0 (4.21)  | 10                  |          |
|   | 12  | TSP2.5/12wp  | <b>40.812</b> | 117.0 (4.61)  | 10                  | TSH2.5/12wp | <b>40.912</b> | 117.0 (4.61)  | 10                  |          |
|   | <b>Eurostrip® Plug</b><br>without Wire Protector <sup>a</sup> | 2            | TSP2.5/2      | <b>40.852</b> | 17.0 (.67)          | 50          | TSH2.5/2      | <b>40.952</b> | 17.0 (.67)          | 50       |
| 3   |   | TSP2.5/3     | <b>40.853</b> | 27.0 (1.06)   | 50                  | TSH2.5/3    | <b>40.953</b> | 27.0 (1.06)   | 50                  |          |
| 4   |   | TSP2.5/4     | <b>40.854</b> | 37.0 (1.46)   | 50                  | TSH2.5/4    | <b>40.954</b> | 37.0 (1.46)   | 50                  |          |
| 5   |   | TSP2.5/5     | <b>40.855</b> | 47.0 (1.85)   | 50                  | TSH2.5/5    | <b>40.955</b> | 47.0 (1.85)   | 50                  |          |
| 6   |   | TSP2.5/6     | <b>40.856</b> | 57.0 (2.24)   | 25                  | TSH2.5/6    | <b>40.956</b> | 57.0 (2.24)   | 25                  |          |
| 7   |   | TSP2.5/7     | <b>40.857</b> | 67.0 (2.64)   | 25                  | TSH2.5/7    | <b>40.957</b> | 67.0 (2.64)   | 25                  |          |
| 8   |   | TSP2.5/8     | <b>40.858</b> | 77.0 (3.03)   | 25                  | TSH2.5/8    | <b>40.958</b> | 77.0 (3.03)   | 25                  |          |
| 9   |   | TSP2.5/9     | <b>40.859</b> | 87.0 (3.43)   | 25                  | TSH2.5/9    | <b>40.959</b> | 87.0 (3.43)   | 25                  |          |
| 10  |   | TSP2.5/10    | <b>40.860</b> | 97.0 (3.82)   | 10                  | TSH2.5/10   | <b>40.960</b> | 97.0 (3.82)   | 10                  |          |
| 11  |   | TSP2.5/11    | <b>40.861</b> | 107.0 (4.21)  | 10                  | TSH2.5/11   | <b>40.961</b> | 107.0 (4.21)  | 10                  |          |
| 12  |   | TSP2.5/12    | <b>40.862</b> | 117.0 (4.61)  | 10                  | TSH2.5/12   | <b>40.962</b> | 117.0 (4.61)  | 10                  |          |



<sup>a</sup>Use for solid wire or wire with a ferrule.

## EUROSTRIP® ACCESSORIES

Convenient options that facilitate installation and wire termination.

### EXTERNAL JUMPERS

Bus potentials between poles on Eurostrip® Terminal Strips reducing wiring time and eliminating wire jumpers.

Jumper Pole positions may be removed to provide selective jumpering. When using external jumpers, the terminal's rated cross section is usually reduced one wire size. For Jumper maximum current ratings, refer to the corresponding Eurostrip® IEC/VDE current rating.

Material: Metal-Copper Alloy, Nickel Plate  
Insulation: Polyamide 6.6  
Color: Black.

### ISOLATION PARTITIONS

Isolation Partition KA provides separation between adjacent poles of different potentials on 600V Eurostrips® with standoff feet. Visual separation between poles is also provided by an Isolation Partition, assisting circuit identification and increasing wiring efficiency.

Material: Polyamide 6.6; Color: Black.

### MOUNTING PINS

Speed panel mounting of Eurostrips® with AH Mounting Pins. Simply match drill clearance hole in panel, position Eurostrip® and install Mounting Pin through hole and into mounting hole in Eurostrip® housing. Once pin passes beyond Eurostrip® housing, it automatically expands, securing housing to panel. Use two or more Mounting Pins per Eurostrip®.

Material: Polyacetal; Color: AH46 Black, AH16 Gray

### MARKING PLATES

Install Marking Plate MP under or on top of Eurostrip® housing to identify individual pole positions to increase wiring efficiency, save installation time and facilitate wire hook-up, system modification and trouble shooting. Select blank Marking Plate for hand marking or imprinted. Material: Self-extinguishing PVC; Color: White with Black Imprint.

### IMPRINTING

Mark individual pole positions to save installation time and facilitate wire hook-up, system modification and trouble shooting. Choose turret or ledge marking for optimum identification. To order Imprinting specify consecutive, identical or custom character imprints; and marking location - Turret (T) or Ledge (L). Imprints: Rub-Resistant, Black Ink. See examples on facing pages.



## EQ EXTERNAL JUMPERS

| Type     | Cat. No. | No. of Poles <sup>a</sup> , Pole Spacing | Use With Types                |
|----------|----------|--|-------------------------------|
| EQ1.5/2  | 41.442   | 2 pole, 8mm (.315)                       | TS1.5, TSF1.5                 |
| EQ1.5/3  | 41.443   | 3 pole, 8mm (.315)                       |                               |
| EQ1.5/4  | 41.444   | 4 pole, 8mm (.315)                       |                               |
| EQ1.5/12 | 41.452   | 12 pole, 8mm (.315)                      |                               |
| EQ2.5/2  | 41.462   | 2 pole, 10mm (.394)                      | TS2.5, TSF2.5, TSP2.5, TSH2.5 |
| EQ2.5/3  | 41.463   | 3 pole, 10mm (.394)                      |                               |
| EQ2.5/4  | 41.464   | 4 pole, 10mm (.394)                      |                               |
| EQ2.5/12 | 41.472   | 12 pole, 10mm (.394)                     |                               |
| EQ6/2    | 41.482   | 2 pole, 12mm (.472)                      | TS6.0, TSF6.0                 |
| EQ6/3    | 41.483   | 3 pole, 12mm (.472)                      |                               |
| EQ6/4    | 41.484   | 4 pole, 12mm (.472)                      |                               |
| EQ6/12   | 41.492   | 12 pole, 12mm (.472)                     |                               |
| EQ16/2   | 41.502   | 2 pole, 15mm (.591)                      | TSF16                         |
| EQ16/3   | 41.503   | 3 pole, 15mm (.591)                      |                               |
| EQ16/4   | 41.504   | 4 pole, 15mm (.591)                      |                               |
| EQ16/12  | 41.512   | 12pole, 15mm (.591)                      |                               |

Std. Pk.: 2 pole - 20  
3 pole - 20  
4 pole - 20  
12 pole - 5

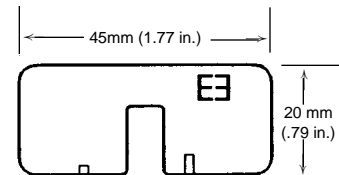
<sup>a</sup>Other pole positions available, consult Altech.

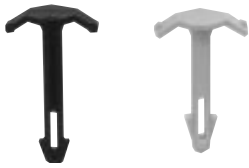


## KA ISOLATION PARTITION

| Type | Cat. No. | Thickness mm (in.) | Use With Types |
|------|----------|--------------------|----------------|
| KA46 | 41.410   | 3.4 (.134)         | TSF2.5, TSF6   |

Std. Pk.: 5

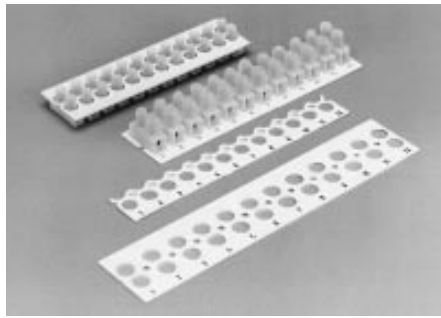




## AH MOUNTING PINS

| Type | Cat. No. | Panel Thickness<br>mm (in.) | Use With<br>Types |
|------|----------|-----------------------------|-------------------|
| AH46 | 41.420   | 0.8 - 1.7<br>(.031-.067)    | TSF2.5<br>TSF6    |
| AH16 | 41.421   | 1.0 - 2.1<br>(.039 - .083)  | TSF16             |

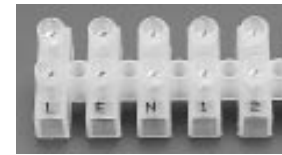
Std. Pk.: 50



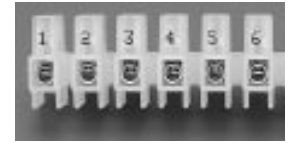
## MP MARKING PLATES

| Type   | Cat. No. | Description*                | Use With<br>Types |
|--------|----------|-----------------------------|-------------------|
| MPB2.5 | 41.200   | Blank                       | TS2.5,<br>TSF2.5  |
| MPB6   | 41.400   | Blank                       | TS6,<br>TSF6      |
| MPB10  | 41.600   | Blank                       | TSF16             |
| MPI2.5 | 41.201   | Consecutive<br>Nos. 1 - 12  | TS2.5,<br>TSF2.5  |
| MPI6   | 41.401   | Consecutive<br>Nos. 1 - 12  | TS6,<br>TSF6      |
| MPI10  | 41.601   | Consecutive<br>Nos. 1 - 12  | TSF16             |
| MPI2.5 | 41.202   | Consecutive<br>Nos. 13 - 24 | TS2.5,<br>TSF2.5  |
| MPI6   | 41.402   | Consecutive<br>Nos. 13 - 24 | TS6,<br>TSF6      |
| MPI10  | 41.602   | Consecutive<br>Nos. 13 - 24 | TSF16             |

Std. Pk.: 25



Ledge Location



Turret Location

## IMPRINTING

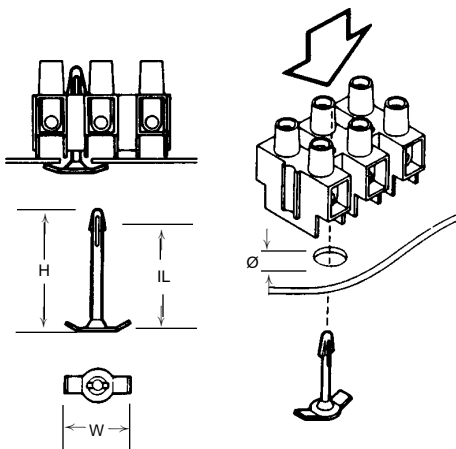
Type Cat. No.

The following are listed as examples:

TS1.5/12wp-i(1-12)T 40.012i(1-12)T  
**Marking Instruction:** Consecutive, imprint 1 through 12, Turret Location

TS2.5/12wp-i(1)L 40.212i(1)L  
**Marking Instruction:** Identical, imprint 1, Ledge Location

Std. Pk.: 1000



| Dimensions mm (in.) |                |                        |                 |            |
|---------------------|----------------|------------------------|-----------------|------------|
| Mounting Pin Type   | Pin Height (H) | Insertion* Length (IL) | Panel Hole Dia. | Width (W)  |
| AH46                | 21.5 (.85)     | 14.5 (.57)             | 4.5 (.18)       | 13.0 (.51) |
| AH16                | 24.5 (.96)     | 19.0 (.75)             | 5.5 (.22)       | 13.0 (.51) |

\*Eurostrip® housing thickness and panel thickness.

\* Custom Imprints available, please consult Altech

# AMEYA360

## Components Supply Platform

Authorized Distribution Brand :



Website :

Welcome to visit [www.ameya360.com](http://www.ameya360.com)

Contact Us :

➤ Address :

401 Building No.5, JiuGe Business Center, Lane 2301, Yishan Rd  
Minhang District, Shanghai , China

➤ Sales :

Direct +86 (21) 6401-6692

Email [amall@ameya360.com](mailto:amall@ameya360.com)

QQ 800077892

Skype [ameyasales1](#) [ameyasales2](#)

➤ Customer Service :

Email [service@ameya360.com](mailto:service@ameya360.com)

➤ Partnership :

Tel +86 (21) 64016692-8333

Email [mkt@ameya360.com](mailto:mkt@ameya360.com)