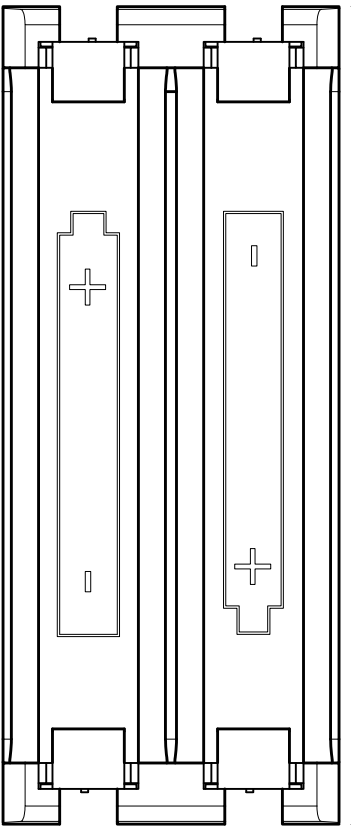
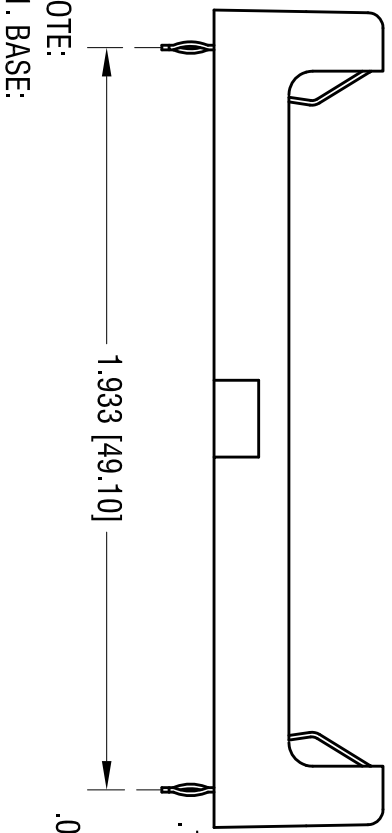


2.140 MAX.



1.810 [45.97]



1.933 [49.10]

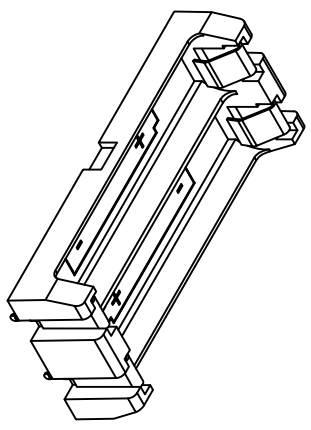
.875 [22.23]

.440 [11.18]

.050 [1.27] DIA. X
.050 [1.27] L. LEG

.140 [3.56]
.038 [0.97]
TYP.

.430 [10.92]



ACTUAL SIZE

DATE	DESCRIPTION	REV.
10.03.13	CHANGE AS PER ECN 13-077	A

KEYSTONE ELECTRONICS CORP.
www.keyelco.com • ASTORIA, N.Y. 11105-2017 • Tel (718) 956-8900

PART NAME
THM DUAL BATTERY HOLDER, AAA

MATERIAL
AS NOTED

FINISH
AS NOTED

DRN BY	DATE
NT	12.08.09

TOLERANCES	INCH	[MM]	CODE	DWG NO.
DECIMAL	± .010	[± 0.25]	C	1023
ANGULAR	± 1°			

UNLESS OTHERWISE SPECIFIED

THIS DOCUMENT IS THE PROPERTY OF
KEYSTONE ELECTRONICS CORP. AND
SHALL NOT BE REPRODUCED, DISTRIBUTED
OR USED AS A BASIS FOR MANUFACTURE
WITHOUT PRIOR WRITTEN PERMISSION
FROM KEYSTONE ELECTRONICS CORP.

- NOTE:
1. BASE:
MAT'L: HEAT RESISTANCE NYLON
STANLYL 46 OR EQUIVALENT
 2. CONTACT:
MAT'L: .012 [0.30] THK STAINLESS STEEL
FINISH: TIN NICKEL PLATE.

AMEYA360

Components Supply Platform

Authorized Distribution Brand :



Website :

Welcome to visit www.ameya360.com

Contact Us :

➤ Address :

401 Building No.5, JiuGe Business Center, Lane 2301, Yishan Rd
Minhang District, Shanghai , China

➤ Sales :

Direct +86 (21) 6401-6692

Email amall@ameya360.com

QQ 800077892

Skype [ameyasales1](#) [ameyasales2](#)

➤ Customer Service :

Email service@ameya360.com

➤ Partnership :

Tel +86 (21) 64016692-8333

Email mkt@ameya360.com