

Compact LCD Bias IC With High Speed Amplifiers for TV and Monitor TFT-LCD Panels

FEATURES

- 2.5 V to 6.0 V Input Voltage Range
- Vs Output Voltage up to 18 V
 - 1%-Accurate Boost Converter With 4.5 A Switch Current
 - 600 kHz Fixed Frequency PWM Operation
 - Overvoltage Protection
 - Adjustable Softstart
- Regulated Positive Charge Pump Converter VGH
- Integrated Gate Voltage Shaping of VGH
- Regulated Negative Charge-Pump Driver VGL
- Adjustable Sequencing for Vs and VGH
- 3 Integrated High-Speed Operational

Amplifiers

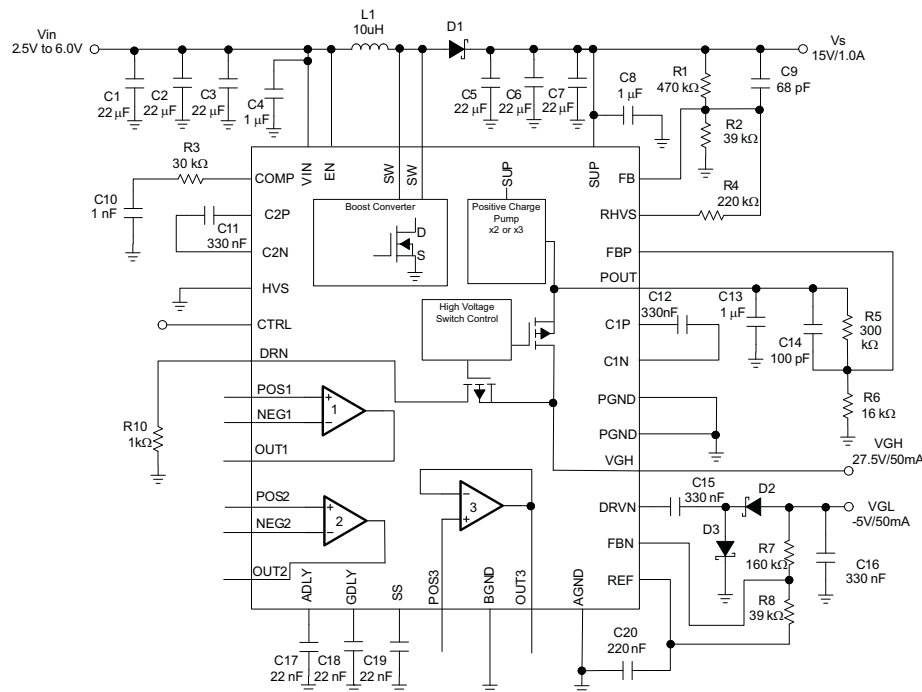
- 50 MHz 3 db Bandwidth
- Slew Rate 45 V/ μ s
- 215 mA Short Circuit Current
- High Voltage Test Mode (HVS)
- Thermal Shutdown
- 40-Pin 5×5-mm QFN Package

APPLICATIONS

- LCD Monitor
- LCD TV Panel

DESCRIPTION

The TPS65165 is a Compact LCD Bias IC with 3 high-speed operational amplifiers for gamma correction and/or VCOM supply. The device generates all 3 voltage rails for TFT-LCD displays (Vs, VGL and VGH). The device incorporates a high-voltage switch that can be controlled by a logic signal from the timing controller (TCON) to provide the gate-voltage modulation for VGH. If this function is not required, the CTRL pin can be tied high.



Please be aware that an important notice concerning availability, standard warranty, and use in critical applications of Texas Instruments semiconductor products and disclaimers thereto appears at the end of this data sheet.

The device also features a high-voltage stress test, where the output voltage of VGH is typically set to 30 V, and the output voltage of Vs is programmable to any higher voltage. The high-voltage stress test is enabled by pulling the HVS pin high. Adjustable sequencing is implemented, and can be programmed by selecting the capacitor values connected to ADLY and GDLY. The device consists of a boost converter to provide the source voltage Vs operating at a fixed switching frequency of 600 kHz. A fully integrated positive charge pump, switching automatically between doubler and tripler mode provides an adjustable regulated TFT gate on voltage VGH. A negative charge pump driver provides adjustable regulated output voltage VGL. To minimize external components the charge pumps for VGH and VGL operate at a fixed switching frequency of 1.2 MHz. The device includes safety features like overvoltage protection of the boost converter, short circuit protection of VGH and VGL as well as thermal shutdown.

ORDERING INFORMATION⁽¹⁾

T _A	ORDERING	QFN PACKAGE	PACKAGE MARKING
-40°C to 85°C	TPS65165RSBR	RSB	TPS65165

(1) The TPS65165RSBR is available taped and reeled and shipped in quantities of 3000 devices per reel.

ABSOLUTE MAXIMUM RATINGS

over operating free-air temperature range (unless otherwise noted) ⁽¹⁾

		VALUE	UNIT
Input voltage range V _{IN} ⁽²⁾		-0.3 V to 7.0	V
Voltage range at EN, CTRL, HVS		-0.3 V to 7.0	V
Voltage on	SUP	22	V
	SW	25	
	POUT, VGH, DRN	32	
Peak switch current		Internally limited	V
ESD rating	HBM	2	kV
	MM	200	V
	CDM	750	V
Continuous total power dissipation		See Dissipation Rating Table	
T _J	Operating junction temperature range	-40 to 150	°C
T _A	Operating ambient temperature range	-40 to 85	°C
T _{stg}	Storage temperature range	-65 to 150	°C

- (1) Stresses beyond those listed under *absolute maximum ratings* may cause permanent damage to the device. These are stress ratings only, and functional operation of the device at these or any other conditions beyond those indicated under *recommended operating conditions* is not implied. Exposure to absolute–maximum–rated conditions for extended periods may affect device reliability.
- (2) All voltage values are with respect to network ground terminal.

DISSIPATION RATINGS⁽¹⁾

PACKAGE	R _{θJA}	T _A < 25°C POWER RATING	T _A = 70°C POWER RATING	T _A = 85°C POWER RATING
40-pin QFN	30°C/W	3.3 W	1.8 W	1.3 W

(1) Exposed thermal die is soldered to the PCB using thermal vias. Refer to Texas Instruments Application report (SLUA271) QFN/SON PCB Attachment.

RECOMMENDED OPERATING CONDITIONS

		MIN	NOM	MAX	UNIT
V _{IN}	Input voltage range	2.5		6.0	V
T _A	Operation ambient temperature	-40		85	°C
T _J	Operating junction temperature	-40		125	°C

ELECTRICAL CHARACTERISTICS

$V_{IN}=5.0V$, $V_S=15V$, $HVS=low$, $EN=CTRL=high$, $T_A = -40^{\circ}C$ to $85^{\circ}C$, typical values are at $T_A = 25^{\circ}C$ (unless otherwise noted)

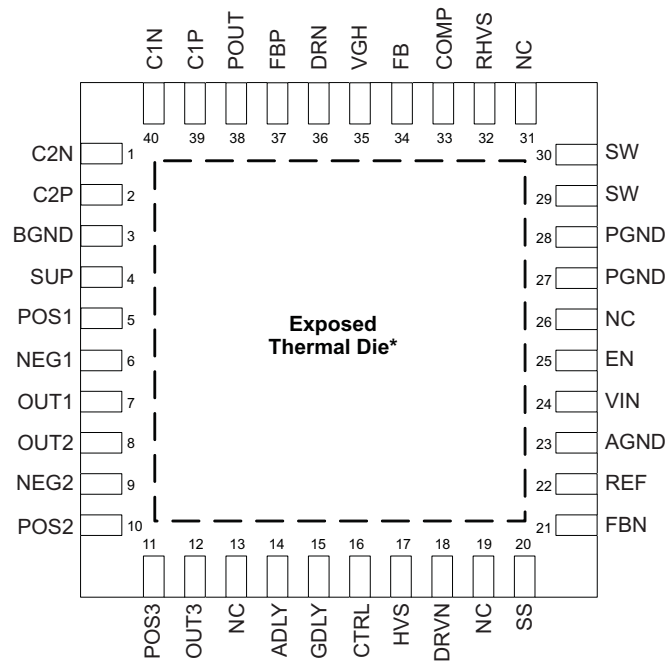
PARAMETER		TEST CONDITIONS	MIN	TYP	MAX	UNIT
SUPPLY CURRENT						
V_{IN}	Input voltage range		2.5		6.0	V
I_{QVIN}	No load quiescent current into VIN	Device not switching		1	1.5	mA
I_{QSUP}	No load quiescent current into SUP	Device not switching		20	25	mA
I_{SD}	Shutdown current into VIN	$V_{in}=6V$			1	μA
	Shutdown current into SUP	$V_{in}=6V$, $SUP = V_{in}-0.5V$			8	
V_{UVLO}	Under-voltage lockout threshold	Vin rising		2.3	2.5	V
		Vin falling		2.2	2.3	V
	Thermal shutdown	Temperature rising		155		$^{\circ}C$
	Thermal shutdown hysteresis			5		$^{\circ}C$
LOGIC SIGNALS EN, CTRL, HVS						
V_{th}	Threshold voltage	$V_{in} = 2.5 V$ to $6.0 V$	0.4		1.4	V
I_l	Input leakage current			± 0.01	± 0.1	μA
HIGH VOLTAGE STRESS TEST (HVS)						
V_{POUT}	Positive charge pump output voltage	HVS = high	28.5	30	31.5	V
RHVS	RHVS pull down resistance	HVS = high, $V_{in} = 2.5 V$ to $6.0 V$, $I_{HVS} = 100 \mu A$	0.5	1	1.5	k Ω
I_{RHVS}	RHVS leakage current	HVS = low, $V_{RHVS} = 1.5 V$			100	nA
MAIN BOOST CONVERTER V_S						
V_S	Output voltage range		7		18	V
V_{FB}	Feedback regulation voltage		1.136	1.146	1.154	V
I_{FB}	Feedback input bias current	$V_{FB} = 1.146$			100	nA
$R_{DS(ON)}$	N-MOSFET on-resistance (Q1)	$V_S = 15 V$, $I_{SW} = 500 mA$, $V_S = 7 V$, $I_{SW} = 500 mA$		75	140	m Ω
	P-MOSFET on-resistance (Q2)	$V_S = 15 V$; $I_{SW} = 100 mA$, $V_S = 7 V$; $I_{SW} = 100 mA$		10	16	Ω
I_{MAX}	Maximum P-MOSFET peak switch current (Q2)				1	A
I_{LIM}	N-MOSFET switch current limit (Q1)		4.4	5.5	6.6	A
I_{leak}	Switch leakage current	$V_{SW} = 15 V$			10	μA
V_{ovp}	Output overvoltage protection	FB = GND, Vout rising	19.5	20	21	V
f_{OSC}	Oscillator frequency		480	600	720	kHz
	Line regulation	$V_{in}=3.0V$ to $6.0V$, $I_{out}=100mA$		0.045		%/V
	Load regulation	$I_{out}=100mA$ to $700mA$, $V_{in}=5.0V$		0.23		%/A
NEGATIVE CHARGE PUMP VGL						
VGL	Output voltage range				-2	V
V_{FB}	Feedback regulation voltage		-48	0	48	mV
I_{FB}	Feedback input bias current	$V_{FB} = 0 V$			100	nA
V_{ref}	Reference voltage	$V_{IN} = 2.5 V$ to $6 V$, $I_{REF} = 10 \mu A$	1.205	1.213	1.219	V
R_{DSon}	Q7 P-Channel switch R_{DSon}	$I_{DRVN} = 40 mA$		4.4		Ω
V_{DropN}	Current sink voltage drop ⁽¹⁾	$I_{DRN} = 40 mA$, $V_{FBN} = V_{FBNnominal} - 5\%$		130	300	mV
		$I_{DRN} = 100 mA$, $V_{FBN} = V_{FBNnominal} - 5\%$		280	450	mV
POSITIVE CHARGE PUMP (POUT)						
V_{POUT}	Output voltage range				30	V
V_{FB}	Feedback regulation voltage	CTRL = GND, VGH = open	1.187	1.214	1.238	V
I_{FB}	Feedback input bias current	FBO = 1.214 V			100	nA

(1) The maximum charge pump output current is half the drive current I_{DRN} of the internal current source or sink

ELECTRICAL CHARACTERISTICS (continued)
 $V_{IN}=5.0V$, $V_S=15V$, HVS=low, EN=CTRL=high, $T_A = -40^{\circ}C$ to $85^{\circ}C$, typical values are at $T_A = 25^{\circ}C$ (unless otherwise noted)

PARAMETER		TEST CONDITIONS	MIN	TYP	MAX	UNIT
V _d	D1–D4 Schottky diode forward voltage	I _{D1-D4} = 40 mA		610	800	mV
R _{eff}	Effective output resistance	Doubler Mode (x2); I _{POUT} = 20 mA		94		Ω
		Doubler Mode (x2); I _{POUT} = 50 mA		63		Ω
		Tripler Mode (x3); I _{POUT} = 20 mA		141		Ω
		Tripler Mode (x3); I _{POUT} = 50 mA		94		Ω
HIGH VOLTAGE SWITCH VGH						
R _{DSON}	POUT to VGH R _{DSON}	CTRL = high, P _{OUT} = 27 V, I = 20 mA		8.5	16	Ω
	DRN to VGH R _{DSON}	CTRL = low, V _{DRN} = 5 V, I = 20 mA		38	62	Ω
I _{DRN}	DRN input current	CTRL = low, V _{VGH} = V _{DRN}		10		μA
t _{dly}	CTRL to VGH propagation delay	CTRL = high to low, P _{OUT} = 27 V, V _{DRN} = GND		125		ns
R _{VGH}	VGH pull down resistance	EN = low, I = 20 mA		1		kΩ
CONTROL AND SOFTSTART ADLY, GDLY, SS						
I _{ADLY}	Drive current into delay capacitor ADLY	V _{ADLY} = 1.213 V	3.5	4.8	6.2	μA
I _{GDLY}	Drive current into delay capacitor GDLY	V _{ADLY} = 1.213 V	3.5	4.8	6.2	μA
I _{SS}	SS charge current	V _{SS} = 0 V	2.8	4.5	6.2	μA
OPERATIONAL AMPLIFIERS 1, 2, 3						
V _{OS}	Input offset voltage	V _{CM} = V _S /2	–15	3	18	mV
I _B	Input bias current	V _{CM} = V _S /2		0	3	μA
V _{CM}	Common mode input voltage range		0		V _S	V
CMRR	Common mode rejection ratio	V _{CM} = 7.5 V	55	75		dB
A _{VOL}	Open loop gain	0.5 V ≤ V _{out} ≤ 14.5 V, No load	50			dB
V _{OL}	Output voltage swing low	I _{OUT} = 10 mA		100	200	mV
V _{OH}	Output voltage swing high	I _{OUT} = 10 mA		100	V _S –200	mV
I _{sc}	Short circuit current		120	215		mA
I _O	Output current	V _{OUT} = 7.5 V, Input offset voltage 10 mV	90	170		mA
PSRR	Power supply rejection ratio			80		dB
SR	Slew rate	A _V = 1, V _{IN} = 2 V _{pp}		45		V/μs
BW	–3dB Bandwidth	A _V = 1, V _{OUT} = 50 mV _{pp} , Output High Impedance		50		MHz
GBWP	Gain bandwidth product			26		MHz
R _{off}	Pull down resistor			10		kΩ

PIN ASSIGNMENT



NOTE: The exposed thermal die is connected to AGNG. NC pin is internally not connected.

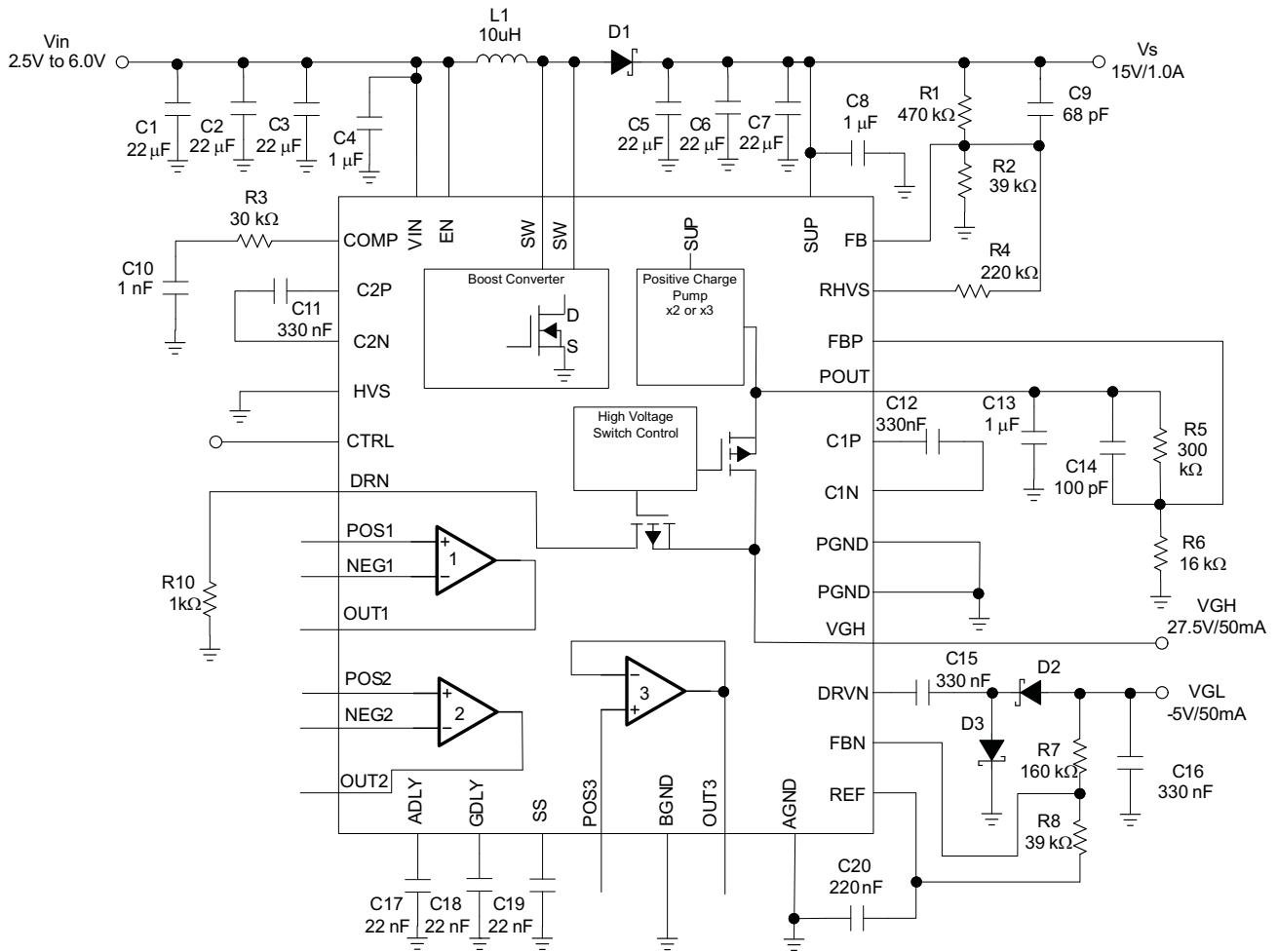
TERMINAL FUNCTIONS

TERMINAL		I/O	DESCRIPTION
NAME	NO.		
C2N	1	I/O	Negative terminal of the flying capacitor for the positive charge pump. Typically a 330nF flying capacitor is required.
C2P	2	I/O	Positive terminal of the flying capacitor for the positive charge pump. Typically a 330nF flying capacitor is required.
BGND	3		Low noise ground for the operational amplifier.
SUP	4	I	Supply input for the operational amplifier and charge pump stages. Connect to the main output Vs, with a 1- μ F bypass capacitor.
POS1	5	I	Non-inverting input of Operational Amplifier 1.
NEG1	6	I	Inverting input of the Operational Amplifier 1.
OUT1	7	O	Output of Operational Amplifier 1. When the device is disabled, the output is pulled to GND via a 1-k Ω resistor.
OUT2	8	O	Output of Operational Amplifier 2. When the device is disabled, the output is pulled to GND via a 1-k Ω resistor.
NEG2	9	I	Inverting input of Operational Amplifier 2.
POS2	10	I	Non-inverting input of Operational Amplifier 2.
POS3	11	I	Non-inverting input of Operational Amplifier 3.
OUT3	12	O	Output of Operational Amplifier 3. When the device is disabled, the output is pulled to GND via a 1-k Ω resistor.
NC	13, 19, 26, 31		Not connected. These pin can be connected to GND to improve the thermal resistance of the package.
ADLY	14	O	Adjustable EN high-to-start-up delay of the main boost converter, negative and positive charge pump. Connect a capacitor from this pin to GND to set the desired delay time. (See SETTING THE DELAY TIMES ADLY, GDLY)
GDLY	15	O	Adjustable EN high-to-enable delay of the high-voltage switch Q8 (gate voltage shaping). Connect a capacitor from this pin to GND to set the desired delay time. (See SETTING THE DELAY TIMES ADLY, GDLY)
CTRL	16	I	Logic control input for the internal high voltage switch (gate voltage shaping).

PIN ASSIGNMENT (continued)
TERMINAL FUNCTIONS (continued)

TERMINAL		I/O	DESCRIPTION
NAME	NO.		
HVS	17	I	Logic control input to enable High Voltage Stress Test. With HVS=low the high voltage stress test is disabled. With HVS=high the high voltage stress test is enabled.
DRVN	18	I/O	Drive pin for the negative charge pump converter generating VGL. Using a single stage charge pump inverts the voltage present at the main boost converter Vs and regulates it down to the desired voltage programmed by the feedback divider.
SS	20	O	Softstart for the main boost converter generating Vs. Connect a capacitor to this pin to set the softstart time.
FBN	21	I	Feedback of the negative charge pump converter.
REF	22	O	Reference output. Connect a 220-nF capacitor directly from REF pin to AGND to minimize possible noise coupling into the reference of the IC.
AGND	23	I	Analog Ground , positive and negative charge pump ground.
VIN	24	I	Supply pin for the IC. Bypass this pin with a 1- μ F capacitor directly to GND.
EN	25	I	Enable pin of the IC. EN=high enables the IC. EN= low disables the IC. This pin must be terminated.
PGND	27, 28		Power Ground for the boost converter.
SW	29, 30	I/O	Switch pin of the boost regulator generating Vs
RHVS	32	I	This resistor sets the voltage of the boost converter Vs when the High Voltage Stress test is enabled. (HVS=high). With HVS=high the RHVS pin is pulled to GND which sets the output voltage for the boost converter. When HVS is disabled (HVS=low) the RHVS pin is high impedance.
COMP	33	O	Compensation for the regulation loop of the boost converter generating Vs.
FB	34	I	Feedback of the boost converter generating Vs.
VGH	35	O	This is the output voltage of the internal high voltage switch, controlled by the CTRL signal.
DRN	36	I/O	Connect the discharge resistor for the Gate voltage shaping to this pin.
FBP	37	I	This is the feedback for the positive charge pump converter generating VGH
POUT	38	O	Output of the positive charge pump which is internally connected to the high voltage switch Q2. Connect a 1- μ F output capacitor to this pin as well as the feedback divider to set the output voltage for the positive charge pump respectively for VGH.
C1P	39	I/O	Positive terminal of the flying capacitor for the positive charge pump. Typically a 330-nF flying capacitor is required.
C1N	40	I/O	Negative terminal of the flying capacitor for the positive charge pump. Typically a 330-nF flying capacitor is required.

BLOCK DIAGRAM



TYPICAL CHARACTERISTICS

TABLE OF GRAPHS

		FIGURE
MAIN BOOST CONVERTER (Vs)		
η	Efficiency, main boost converter Vs	vs Load current
	PWM operation at nominal load current	Figure 1
	PWM operation at light load current	Figure 2
	Load transient response	Figure 3
	Softstart boost converter V_S	Figure 4
	Overshoot protection	Figure 5
SYSTEM FUNCTIONALITY		
	Power-on sequencing	Figure 6
	Gate voltage shaping VGH	Figure 7
NEGATIVE CHARGE PUMP DRIVER		
	VGL	vs load current
POSITIVE CHARGE PUMP		
	VGH	vs load current (doubler mode)
VCOM BUFFERS		
	Input to output offset voltage	vs Opamp 1 load current
	Input to output offset voltage	vs Opamp 2 load current
	Input to output offset voltage	vs Opamp 3 load current

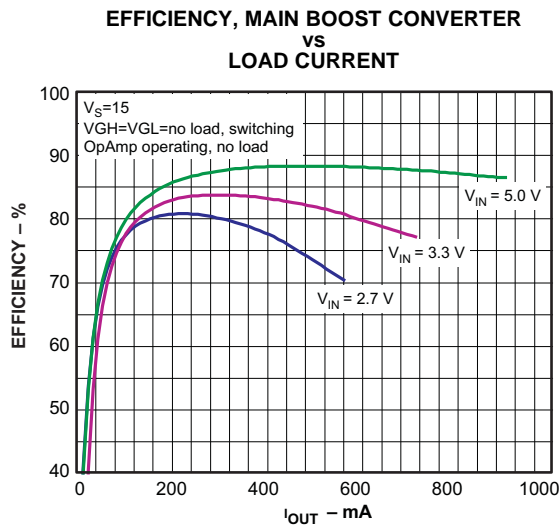


Figure 1.

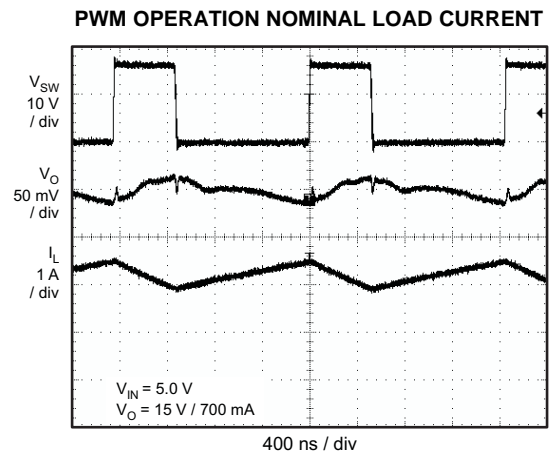


Figure 2.

PWM OPERATION AT LIGHT LOAD CURRENT

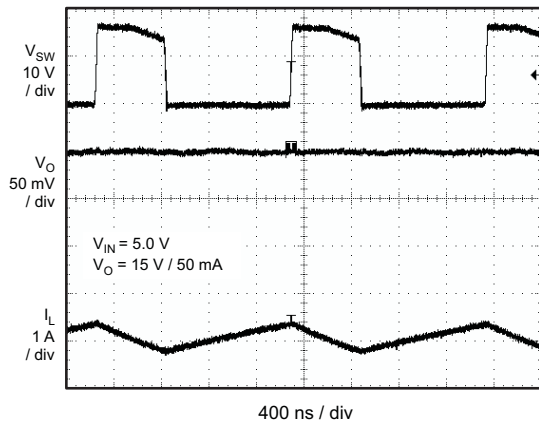


Figure 3.

LOAD TRANSIENT RESPONSE

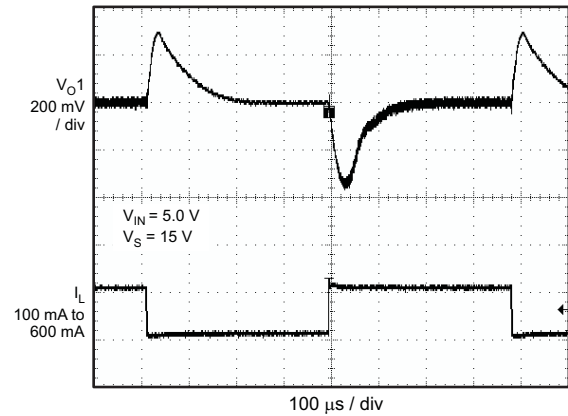


Figure 4.

SOFTSTART BOOST CONVERTER - V_S

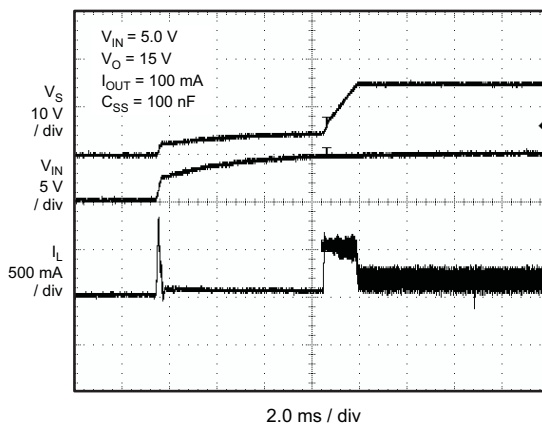


Figure 5.

OVERVOLTAGE PROTECTION

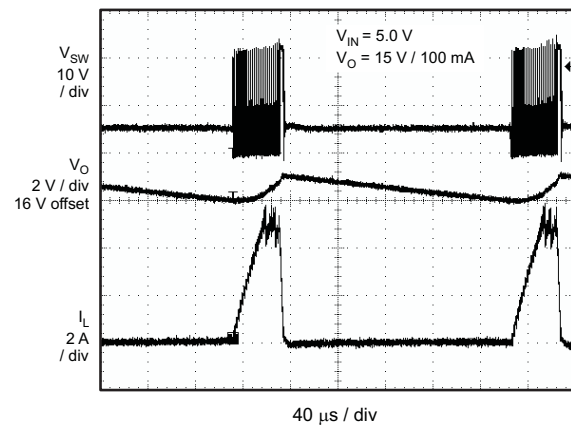


Figure 6.

POWER-ON SEQUENCING

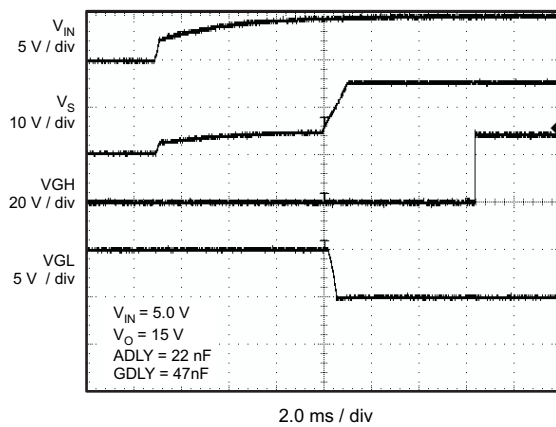


Figure 7.

GATE VOLTAGE SHAPING - V_{GH}

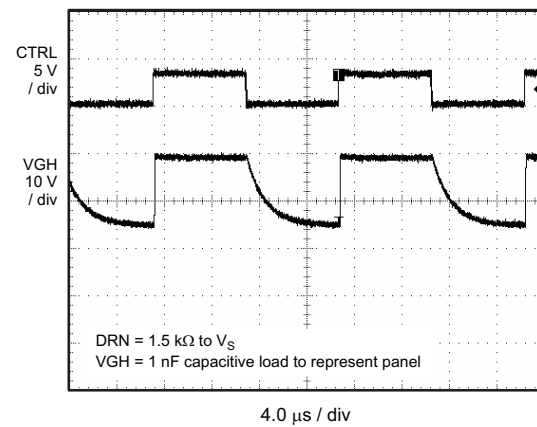


Figure 8.

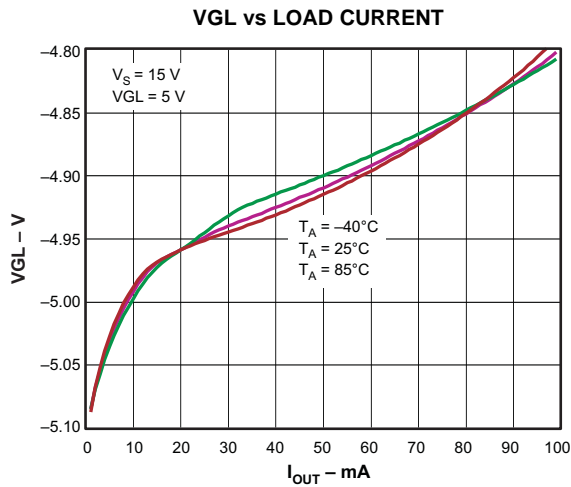


Figure 9.

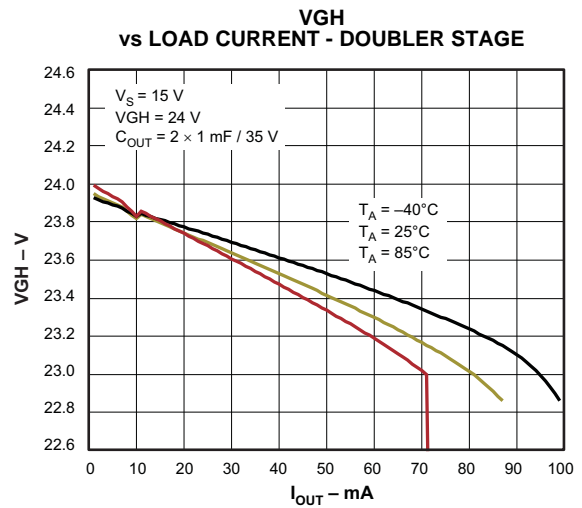


Figure 10.

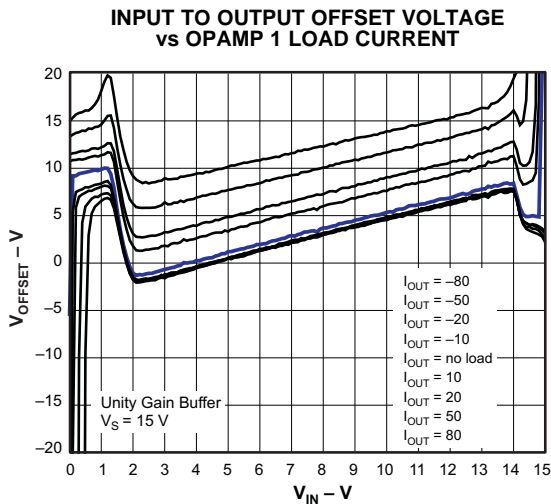


Figure 11.

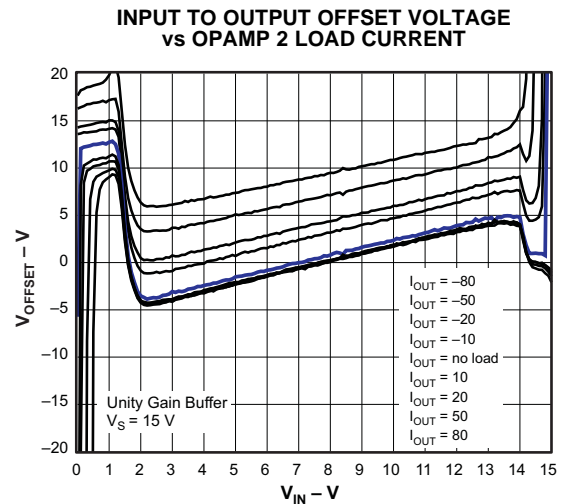


Figure 12.

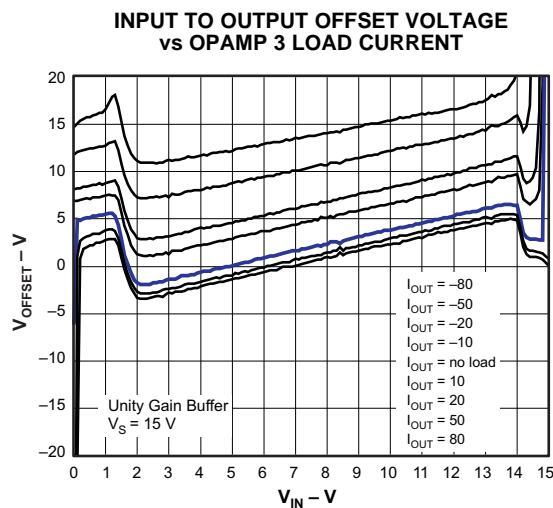


Figure 13.

APPLICATION INFORMATION

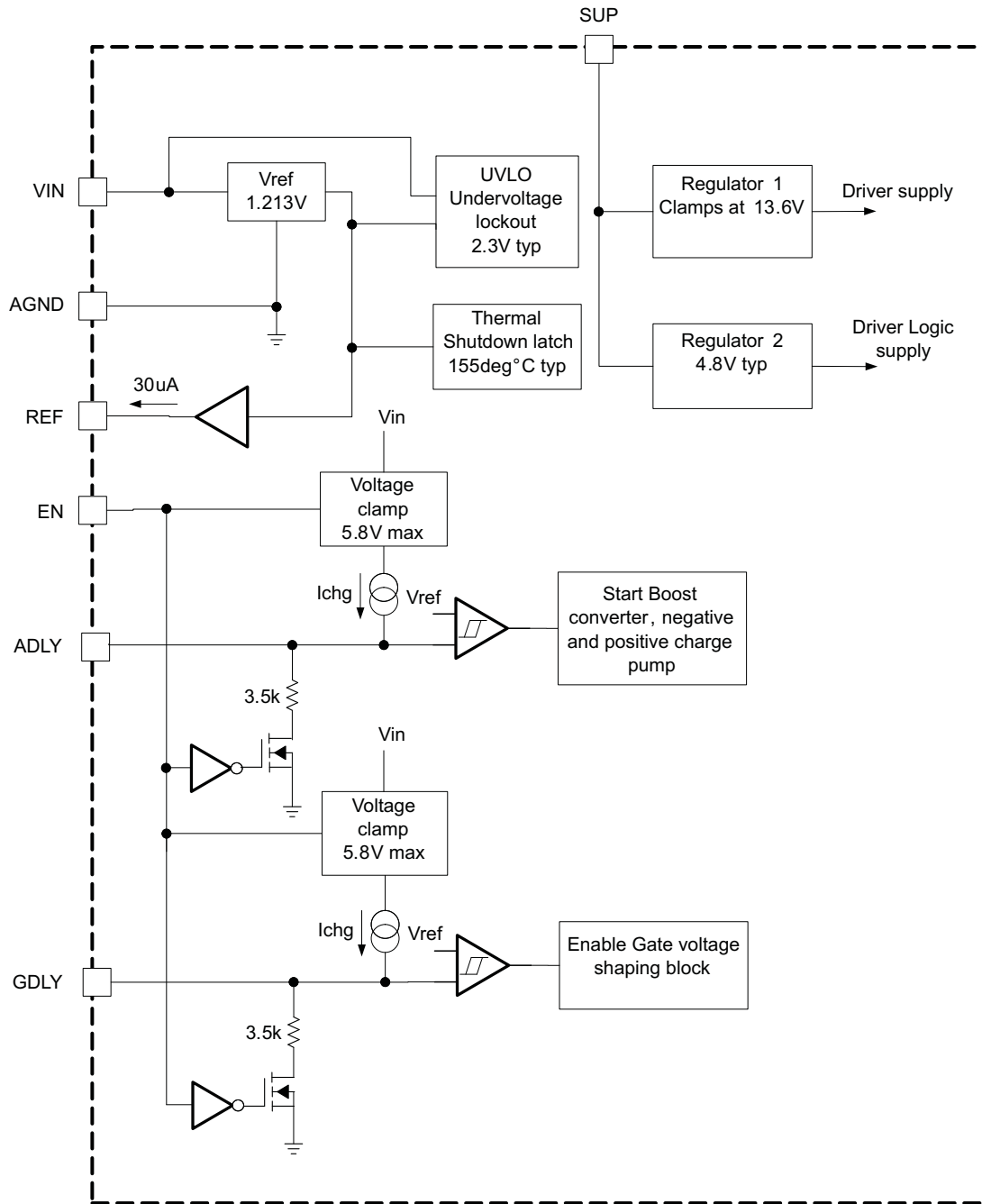


Figure 14. Control Block TPS65165

THERMAL SHUTDOWN

The thermal-shutdown feature prevents damage from excessive heat and power dissipation. Typically the thermal-shutdown threshold is 155°C. When the device enters thermal-shutdown then the device does not restart automatically. The device can only be restarted by cycling the input voltage below its undervoltage-lockout threshold or by cycling the enable EN to ground.

APPLICATION INFORMATION (continued)

UNDERVOLTAGE LOCKOUT

To avoid device malfunction at low input voltages, an undervoltage lockout is included which enables the device only when the input voltage exceeds 2.3 V.

REFERENCE OUTPUT, REF

The device provides a reference output that is used to regulate the negative charge pump. In order to have a stable reference voltage, a 220-nF bypass capacitor is required, connected directly from REF to AGND. The reference output has a current capability of 30 μA which should not be exceeded. Because of this, the feedback resistor value from FBN to REF should not be smaller than 40 kΩ.

START-UP SEQUENCING

Start-up sequencing can be controlled by adjusting the delay times ADLY and GDLY. After the delay time set by ADLY passed by, the boost converter, negative and positive charge pumps start at the same time. VGH will only go high once the delay time, set by GDLY passed by and the signal applied to CTRL is high.

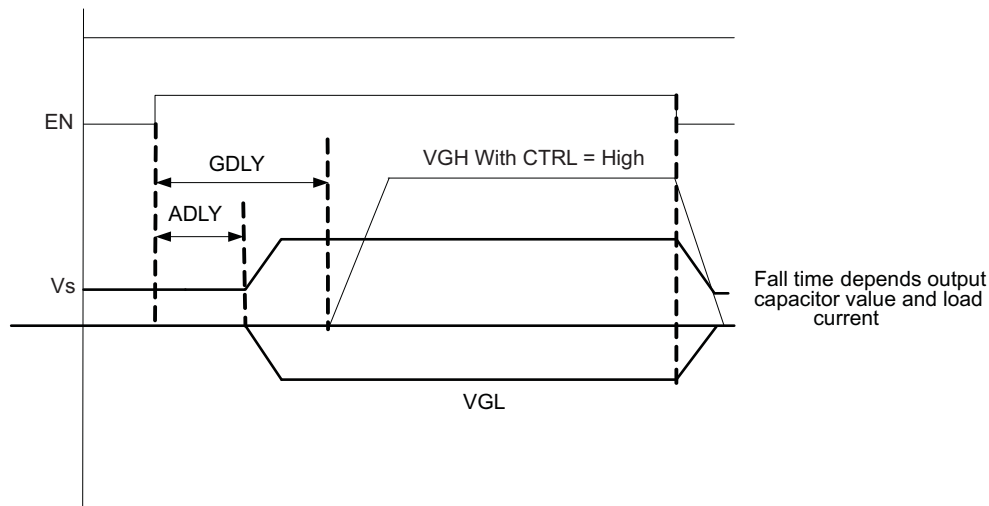


Figure 15. Power-On Sequencing

SETTING THE DELAY TIMES ADLY, GDLY

Connecting an external capacitor to the ADLY and GDLY pin sets the delay time. If no delay time is required these pins can be left open. To set the delay time, the external capacitor connected to ADLY and GDLY is charged with a constant current source (typically 5 μA). The delay time is terminated when the capacitor voltage has reached the internal reference voltage of Vref = 1.213 V. The external delay capacitor is calculated by:

$$C_{dly} = \frac{5 \mu A \times t_d}{V_{ref}} = \frac{5 \mu A \times t_d}{1.213V} \tag{1}$$

with t_d = Desired delay time

APPLICATION INFORMATION (continued)

BOOST CONVERTER

The TPS65165 boost converter block is shown in Figure 16. The boost converter operates with PWM (Pulse Width Modulation) and a fixed switching frequency of 600 kHz. The converter uses a unique fast-response, voltage-mode controller scheme with input voltage feedforward. This achieves excellent line and load regulation (0.2%/A load regulation typical) and allows the use of small external components. To increase the flexibility in the selection of external component values, the device uses external loop compensation. Although the boost converter looks like a non-synchronous boost converter topology operating in discontinuous conduction mode, at light loads, the TPS65165 maintains continuous conduction even at minimal load currents. This is achieved with a novel architecture using an external Schottky diode with an integrated MOSFET in parallel connected between SW pin and the SUP pin. The purpose of this MOSFET is to allow the current to go below ground, which is the case at light load conditions. For this purpose, a small integrated P-Channel MOSFET (Q2) with a typical $R_{DS(ON)}$ of 10 Ω is sufficient. When the inductor current is positive, the external Schottky diode with the lower forward voltage carries the current. This causes the converter to operate with a fixed frequency in continuous-conduction mode over the entire load-current range. This avoids ringing on the switch pin as seen with a typical non-synchronous boost converter, and allows a simpler compensation network.

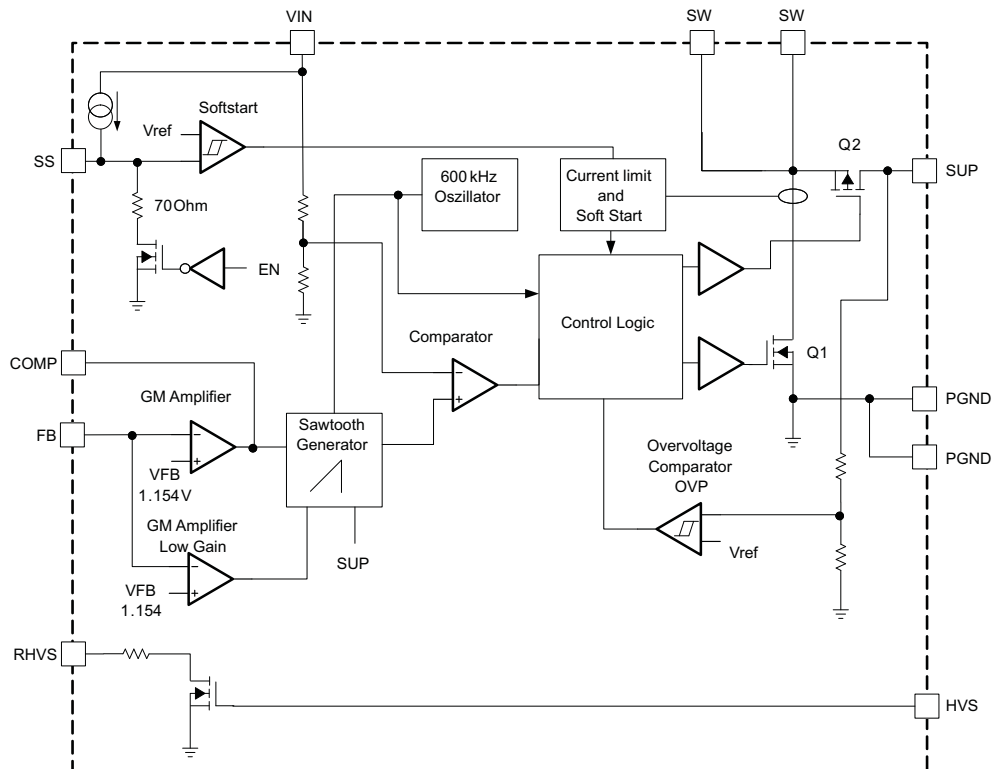


Figure 16. Boost Converter Block TPS65165

SOFTSTART BOOST CONVERTER

To minimize inrush current during start-up, an external capacitor connected to the softstart pin (SS) is used to slowly ramp up the internal current limit of the boost converter. The larger the capacitor, the slower the ramp-up of the current limit, and the longer the softstart time. A 22-nF capacitor is usually sufficient for typical applications.

APPLICATION INFORMATION (continued)

HIGH VOLTAGE STRESS TEST BOOST CONVERTER AND POSITIVE CHARGE PUMP

The TPS65165 incorporates a high voltage stress test where the output voltage of the boost converter V_s and the positive charge pump POUT are set to a higher output voltage compared to the nominal programmed output voltage. The High Voltage Stress test is enabled by pulling the HVS pin to high. With HVS=high the voltage on POUT, respectively VGH is regulated to a fixed output voltage of 30 V. The boost converter V_s is programmed to a higher voltage determined by the resistor connected to RHVS. With HVS=high the RHVS pin is pulled to GND which sets the voltage for the boost converter during the High Voltage Stress Test. The output voltage for the boost converter during high voltage stress test is calculated as:

$$V_{S_{HVS}} = V_{FB} \frac{R1 + R2 \parallel R4}{R2 \parallel R4} = 1.146V \frac{R1 + R2 \parallel R4}{R2 \parallel R4}$$

$$R4 = \frac{R1 \times R2}{\left(\frac{V_{S_{HVS}}}{V_{FB}} - 1\right) \times R2 - R1}$$

(2)

With:

$V_{S_{HVS}}$ = Boost converter output voltage with HVS=high

$V_{FB} = 1.146V$

R4 = Resistor connected to pin RHVS

OVERVOLTAGE PROTECTION BOOST CONVERTER

The boost converter has an integrated overvoltage-protection circuit to prevent the switch voltage from exceeding the absolute maximum switch voltage rating in the event of a system fault. The device protects itself if the feedback pin is shorted to ground by clamping the boost-converter output voltage to 20 V. To implement the overvoltage protection, the overvoltage comparator shown in [Figure 16](#) monitors the output voltage via the SUP pin. When the output voltage exceeds the overvoltage threshold of typically 20 V, the device stops switching until the output voltage drops below the comparator threshold again. The typical waveform is shown in [Figure 6](#).

INPUT CAPACITOR SELECTION VIN, SUP

Low-ESR ceramic capacitors are recommended for good input-voltage filtering. The TPS65165 has an analog input (VIN) and a power supply input (SUP) powering all the internal rails, including the operational amplifiers. 1- μ F bypass capacitors are required as close as possible from VIN to GND, and from SUP to GND. Depending on the overall load current, two or three 22- μ F input capacitors are required. For better input-voltage filtering, the input capacitor values can be increased. Refer to [Table 1](#) and typical applications for input capacitor recommendations.

Table 1. Input Capacitor Selection

CAPACITOR	VOLTAGE RATING	COMPONENT SUPPLIER	COMMENTS
22 μ F/1210	6.3 V	Taiyo Yuden	Cin
1 μ F/1206	6.3 V	Taiyo Yuden	Bypass AVIN, SUP

BOOST CONVERTER DESIGN PROCEDURE

The first step in the design procedure is to verify whether the maximum possible output current of the boost converter supports the specific application requirements. To simplify the calculation the fastest approach is to estimate the converter efficiency, by taking the efficiency numbers from the provided efficiency curves or to use a worst case assumption for the expected efficiency, e.g., 80%. With the efficiency number it is possible to calculate the steady state values of the application.

1. Converter Duty Cycle:

$$D = 1 - \frac{V_{in} \times \eta}{V_{out}} \quad (3)$$

2. Maximum output current:

$$I_{out} = \left(I_{sw} - \frac{V_{in} \times D}{2 \times f_s \times L} \right) \times (1 - D) \quad (4)$$

3. Peak switch current:

$$I_{swpeak} = \frac{V_{in} \times D}{2 \times f_s \times L} + \frac{I_{out}}{1 - D} \quad (5)$$

With:

I_{sw} = converter switch current (minimum switch current limit=4.4 A)

f_s = converter switching frequency (typical 600kHz)

L = Selected inductor value

η = Estimated converter efficiency (use the number from the efficiency curves or 0.8 as an estimation)

The peak switch current is the steady state peak switch current the integrated switch, inductor and external Schottky diode has to be rated for. The calculation must be done for the minimum input voltage where the peak switch current is highest.

INDUCTOR SELECTION

The TPS65165 typically operates with a 10- μ H inductor. The main parameter for inductor selection is the inductor saturation current. This should be higher than the peak switch current as calculated in [Equation 5](#), with additional margin for heavy load transients. An alternative, more conservative approach is to choose the inductor with saturation current at least as high as the typical switch current limit of 5.5 A.

The second important parameter is the inductor DC resistance. Usually the lower the DC resistance the higher the efficiency of the converter. The choice of an inductor can affect converter efficiency by as much as 10%. Possible inductors are shown in [Table 2](#).

Table 2. Inductor Selection Boost Converter

INDUCTOR VALUE	COMPONENT SUPPLIER	DIMENSIONS IN mm	Isat/DCR
10 μ H	Sumida CDRH8D38-100	8.3×8.3×4.0	3.0 A / 38 m Ω
10 μ H	Wuerth 744066100	10×10×3.8	4.0 A / 25 m Ω
10 μ H	Coilcraft DO3316P-103	12.95×9.4×5.51	3.8 A / 3838 m Ω

OUTPUT CAPACITOR SELECTION

For best output voltage filtering, a low-ESR output capacitor is recommended. Ceramic capacitors have a low ESR value and work best with the TPS65165. Three 22µF or six 10µF ceramic output capacitors in parallel are sufficient for most applications. More capacitors can be added to improve the load transient regulation. Refer to [Table 3](#) for details on selecting output capacitors.

Table 3. Output Capacitor Selection

CAPACITOR	VOLTAGE RATING	COMPONENT SUPPLIER
22 µF / 1812	16 V	Taiyo Yuden EMK432BJ226MM

Rectifier diode selection

To achieve high efficiency, a Schottky diode should be used. The reverse voltage rating should be higher than the maximum output voltage of the converter. The current rating for the Schottky diode is calculated as the off time of the converter times the typical switch current of the TPS65165:

$$I_{avg} = (1 - D) \times I_{sw} = \frac{V_{in}}{V_{out}} \times 5.5A \tag{6}$$

where I_{sw} = the typical switch current of the TPS65165 (5.5 A)

A Schottky diode with 2-A maximum average rectified forward current rating is sufficient for most applications.

The Schottky rectifier must have adequate power dissipation. The dissipated power is the average rectified forward current times the diode forward voltage.

$$P_D = I_{avg} \times V_F = I_{sw} \times (1 - D) \times V_{sw} \times \frac{V_{in}}{V_{out}} \times V_F \tag{7}$$

where I_{sw} = typical switch current of the TPS65165 (5.5 A)

Table 4. Rectifier Diode Selection (Boost Converter)

CURRENT RATING I_{avg}	Vr	V _{forward}	R _{θJA}	SIZE	COMPONENT SUPPLIER
3 A	20 V	0.36 V at 3 A	46°C/W	SMC	MBRS320, International Rectifier
2 A	20 V	0.44 V at 2 A	75°C/W	SMB	SL22, Vishay Semiconductor
2 A	20 V	0.5 V at 2 A	75°C/W	SMB	SS22, Fairchild Semiconductor

SETTING THE OUTPUT VOLTAGE AND SELECTING THE FEEDFORWARD CAPACITOR

The output voltage is set by the external resistor-divider value, and is calculated as:

$$V_{out} = 1.146V \times \left(1 + \frac{R1}{R2}\right) \tag{8}$$

Across the upper resistor, a bypass capacitor is required to speed up the circuit during load transients. The capacitor value is calculated as:

$$C_{ff} = \frac{1}{2 \times \pi \times f_z \times R1} = \frac{1}{2 \times \pi \times 5000 \times R1} \tag{9}$$

A standard value nearest to the calculated value should be used.

COMPENSATION (COMP)

The regulator loop can be compensated by adjusting the external components connected to the COMP pin. The COMP pin is the output of the internal transconductance error amplifier. A single capacitor connected to this pin sets the low-frequency gain. A 1.0-nF capacitor is sufficient for most of the applications. Adding a series resistor sets an additional zero and increases the high-frequency gain. [Equation 10](#) calculates the frequency where the resistor increases the high frequency gain.

$$f_z = \frac{1}{2 \times \pi \times C_c \times R_c} \tag{10}$$

Lower input voltages require a higher gain, and therefore a lower compensation-capacitor value. Refer to the typical applications for the appropriate component selection.

POSITIVE CHARGE PUMP

The fully-integrated positive charge pump automatically switches its gain between doubler and tripler mode. As shown in Figure 17, the input voltage of the positive charge pump is the SUP pin, that is connected to the output of the main boost converter (Vs).

The charge pump requires two 330-nF flying capacitors and a 1-μF output capacitance for stable operation. The positive charge pump also supports the high-voltage stress test by pulling the HVS pin high. This programs the output voltage to a fixed output voltage of 30 V by using the internal voltage divider as shown in Figure 17. During normal operation the HVS pin is pulled low, and the output voltage is programmed with the external voltage divider.

$$V_{out} = 1.213V \times \left(1 + \frac{R5}{R6}\right)$$

$$R5 = R6 \times \left(\frac{V_{out}}{V_{FB}} - 1\right) = R6 \times \left(\frac{V_{out}}{1.213} - 1\right)$$

(11)

To minimize noise and leakage-current sensitivity, we recommend a value of approximately 20 kΩ for the lower feedback divider resistor R6. A 100-pF feedforward capacitor across the upper feedback resistor R5 is typically required.

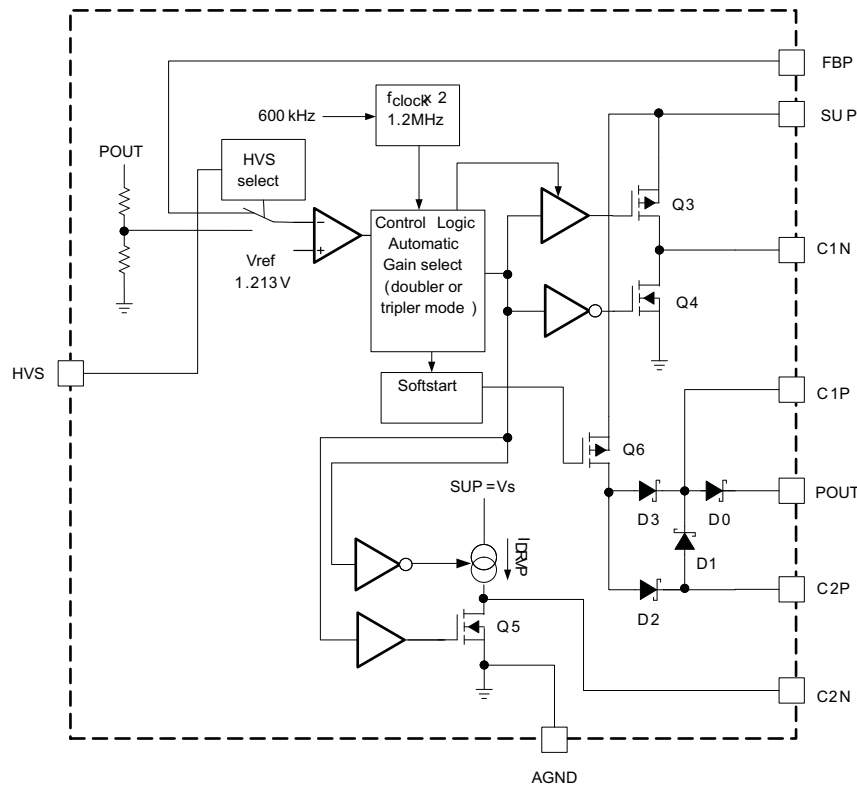


Figure 17. Positive Charge Pump Block TPS65165

NEGATIVE CHARGE PUMP DRIVER

The negative charge pump provides a regulated output voltage set by the external resistor divider. It inverts the voltage applied to the SUP pin (the boost-converter output voltage), and regulates it to the programmed voltage.

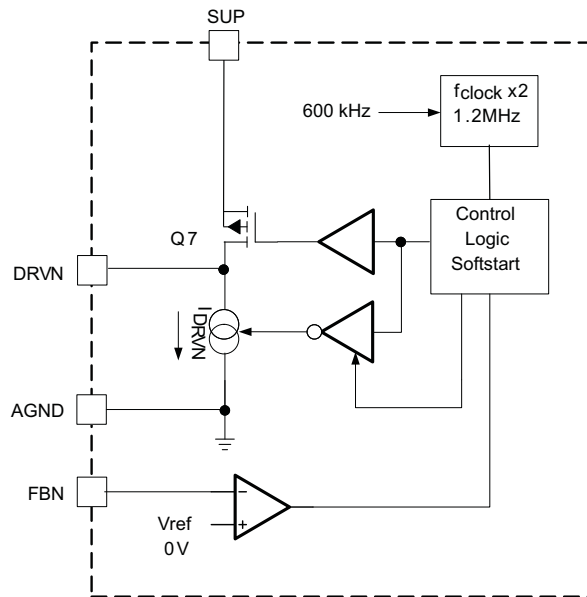


Figure 18. Negative Charge Pump Block TPS65165

The output voltage is $V_{GL} = (-V_s) + V_{DROD}$. V_{DROD} is the voltage drop across the external diodes and internal charge pump MOSFETs.

Setting the output voltage:

$$V_{out} = -V_{REF} \times \frac{R7}{R8} = -1.213V \times \frac{R7}{R8} \tag{12}$$

$$R7 = R8 \times \frac{|V_{out}|}{V_{REF}} = R8 \times \frac{|V_{out}|}{1.213} \tag{13}$$

Since the reference-output driver current should typically not exceed 30 μ A, the lower feedback-resistor value R8 should be in a range of 40 k Ω to 120 k Ω . The negative charge pump requires two external Schottky diodes. The peak current rating of the Schottky diode must be twice the load current of the output. For a 20-mA output current, the dual Schottky diode BAT54 is a good choice.

HIGH VOLTAGE SWITCH CONTROL (Gate Voltage Shaping)

For correct operation of this block it is not recommended to connect an output capacitor to VGH. If the output shows higher output ripple voltage than expected then the output capacitor value on POUT needs to be increased instead. The device has an integrated high-voltage switch to provide gate-voltage modulation of VGH. If this feature is not required, then CTRL pin must be pulled high or connected to VIN. When the device is disabled or the input voltage is below the undervoltage lockout (UVLO), both switches (Q4 and Q5) are off, and VGH is discharge by a 1-k Ω resistor over Q8, as shown in [Figure 19](#).

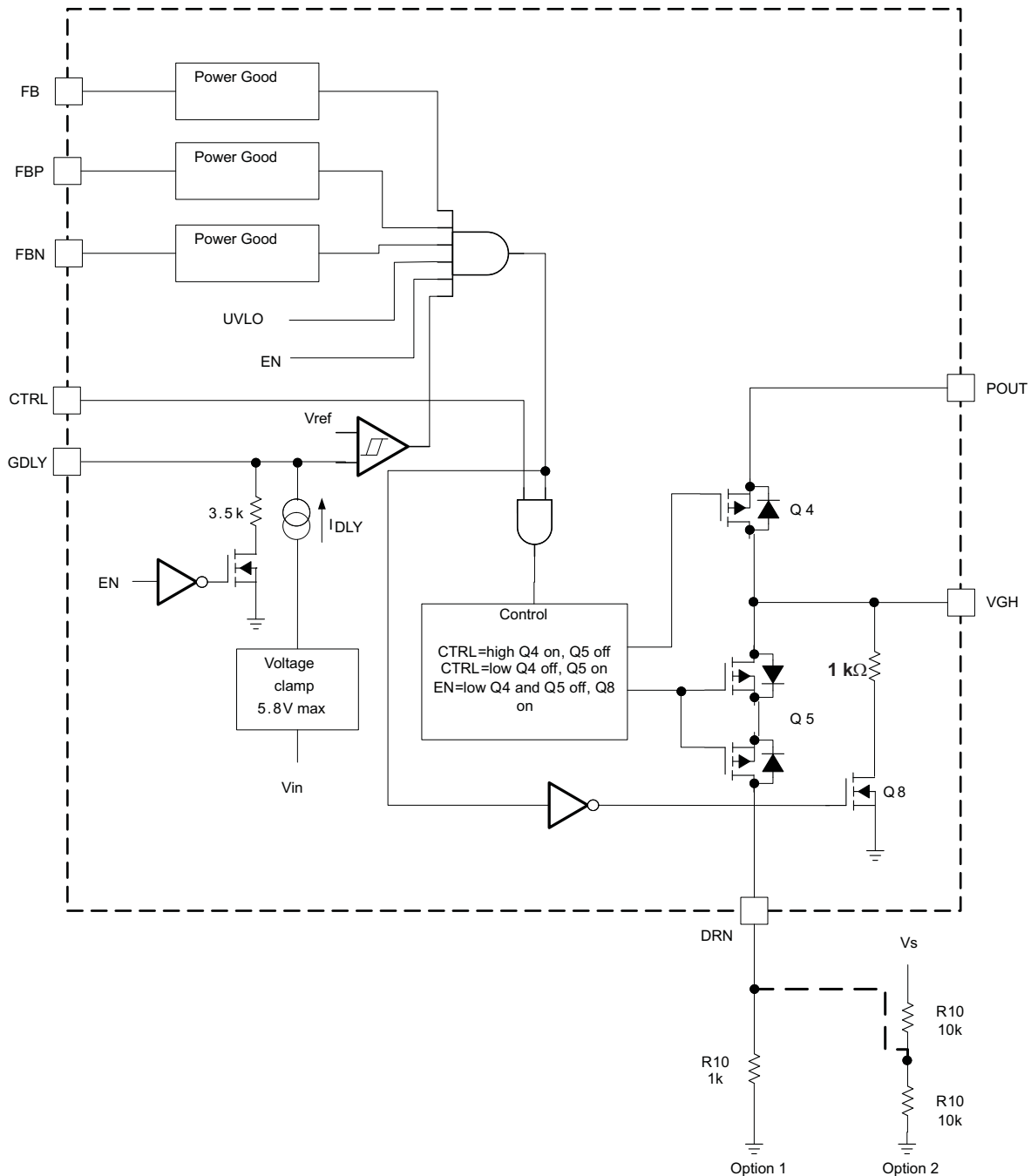


Figure 19. High Voltage Switch (Gate Voltage Shaping) Block TPS65165

To implement gate-voltage shaping, the control signal from the LCD timing controller (TCON) is connected to the CTRL pin. CTRL is activated when the device is enabled, the input voltage is above the undervoltage lockout, all the output voltages (Vs, VGL, VGH) are in regulation, and the delay time is set by the GDLY pin passed by. As soon as one of the outputs is pulled below its Power Good level, Q4 and Q5 are turned off and VGH is discharged via a 1-kΩ resistor over Q8.

With CTRL = high, Q4 is turned on and the charge pump output voltage is present at VGH. When the CTRL pin is pulled low, Q4 is turned off and Q5 is turned on, discharging VGH. The slope and time for discharging VGH is determined by the LCD capacitance and the termination on DRN. An additional output capacitor is not recommended on VGH. There are basically two options available to terminate the DRN pin, depending on the LCD capacitance and required overall converter efficiency.

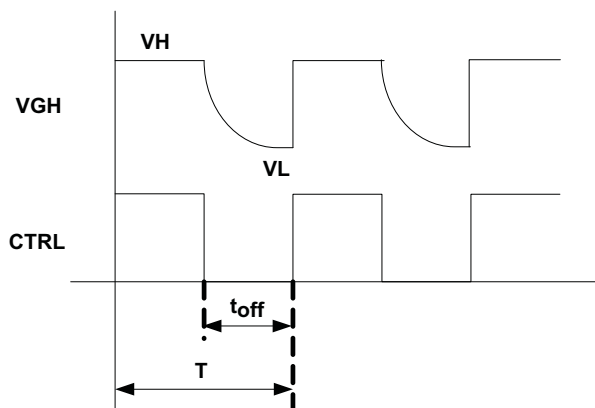


Figure 20. High Voltage Switch (Gate Voltage Shaping) Timing Diagram

Option 1 in [Figure 19](#) draws no current from V_s , and is therefore better in terms of converter efficiency. The voltage level VL (the discharge level of VGH) is determined by the LCD capacitance, the resistor connected to DRN and the off time, t_{off} . The lower the resistor value connected to DRN, the lower the discharge voltage level VL.

Option 2 in [Figure 19](#) constantly draws current from V_s due to the voltage divider connected to V_s . The advantage of this solution is that the low-level voltage VL is given by the voltage divider, assuming the feedback resistor values are small, allowing the LCD capacitance to discharge during t_{off} . This solution is not recommended for very large display panels because the feedback divider resistor values must be too low, drawing too much current from V_s .

Operational Amplifier 1, 2 and 3

The TPS65165 has three integrated operational amplifiers. OpAmp 3 is already configured as a standard buffer as shown in Figure 21. The operational amplifiers can be used as a gamma correction buffer or as a VCOM buffer.

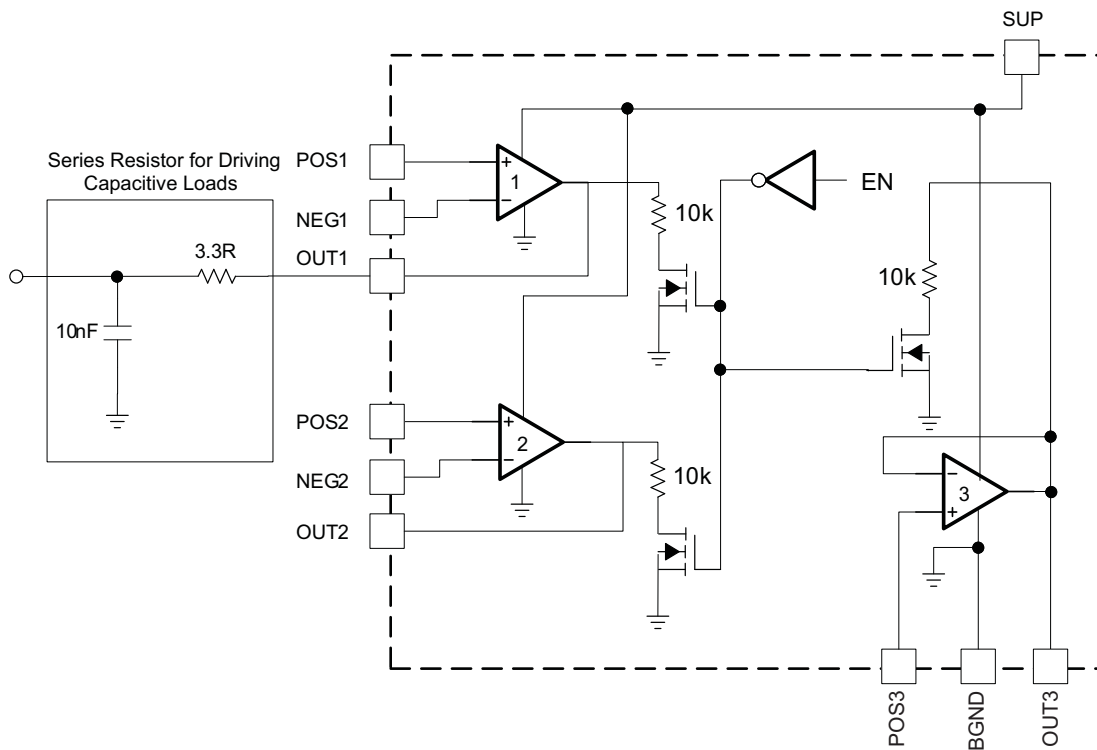


Figure 21. Operational Amplifier Block

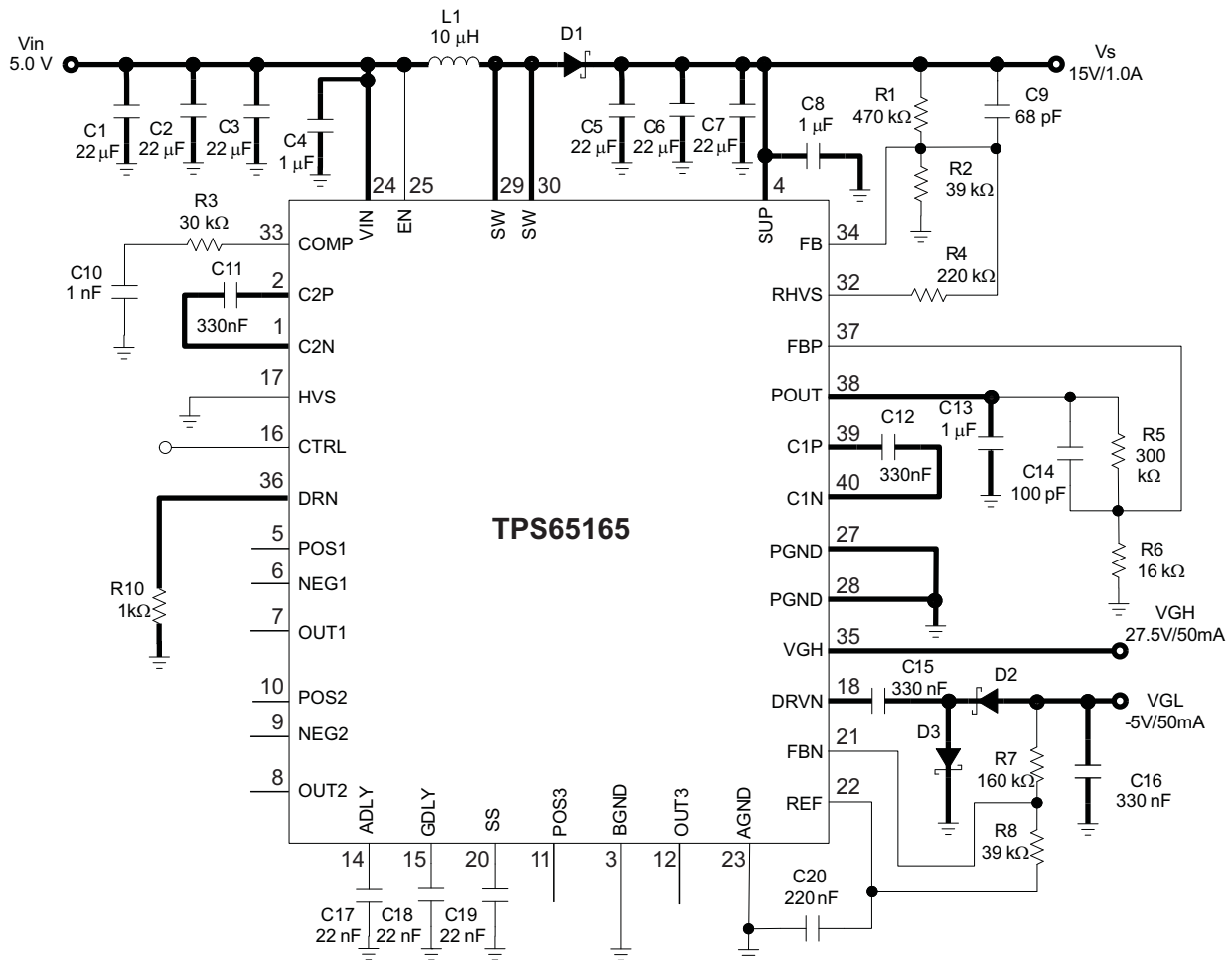
The OpAmp power supply pin is the SUP pin connected to the boost converter V_s . To achieve good performance and minimize the output noise, a 1- μ F bypass capacitor is required directly from the SUP pin to ground. When the device is disabled, the OpAmp outputs are pulled low via a 10k Ω resistor. The OpAmps are not designed to drive capacitive loads; therefore it is not recommended to connect a capacitor directly to the OpAmp outputs. If capacitive loads are driven we recommend using a series resistor at the output to provide stable operation. With a 3.3- Ω series resistor, a capacitive load of 10 nF can be driven, which is usually sufficient for typical LCD applications.

Operational Amplifier Termination

The TPS65165 has three integrated operational amplifiers. For some applications, not all of the amplifiers are used. To minimize device quiescent current the terminals need to be terminated. For the unity gain buffer, OpAmp 3 the positive terminal is connected to GND and the output is left open. For OpAmp 2 and 3 the negative terminal is connected to the OpAmp output and the positive terminal is connected to GND. Using such a termination minimizes device quiescent current and correct functionality of the device.

PCB Layout Design Guidelines:

1. Place the power components outlined in bold first on the PCB.
2. Rout the traces outlined in bold with wide PCB traces
3. Place a 1- μ F bypass capacitor directly from the Vin pin to GND since this is the supply pin for internal circuits.
4. Place a 1- μ F bypass capacitor directly from the SUP pin to GND since this is the supply pin for internal circuits.
5. Use a short and wide trace to connect the SUP pin to the output of the boost converter Vs.
6. Place the 220-nF reference capacitor directly from REF to AGND close to the IC pins.
7. The feedback resistor for the negative charge pump between FBN and REF needs to be >40k Ω .
8. Use short traces for the charge pump drive pin (DRVN) of VGL because the traces carry switching waveforms.
9. Place the flying capacitors as close as possible to the C1P, C1N and C2P, C2N pin.
10. Solder the Power Pad of the QFN package to GND and use thermal vias to lower the thermal resistance



TYPICAL APPLICATION

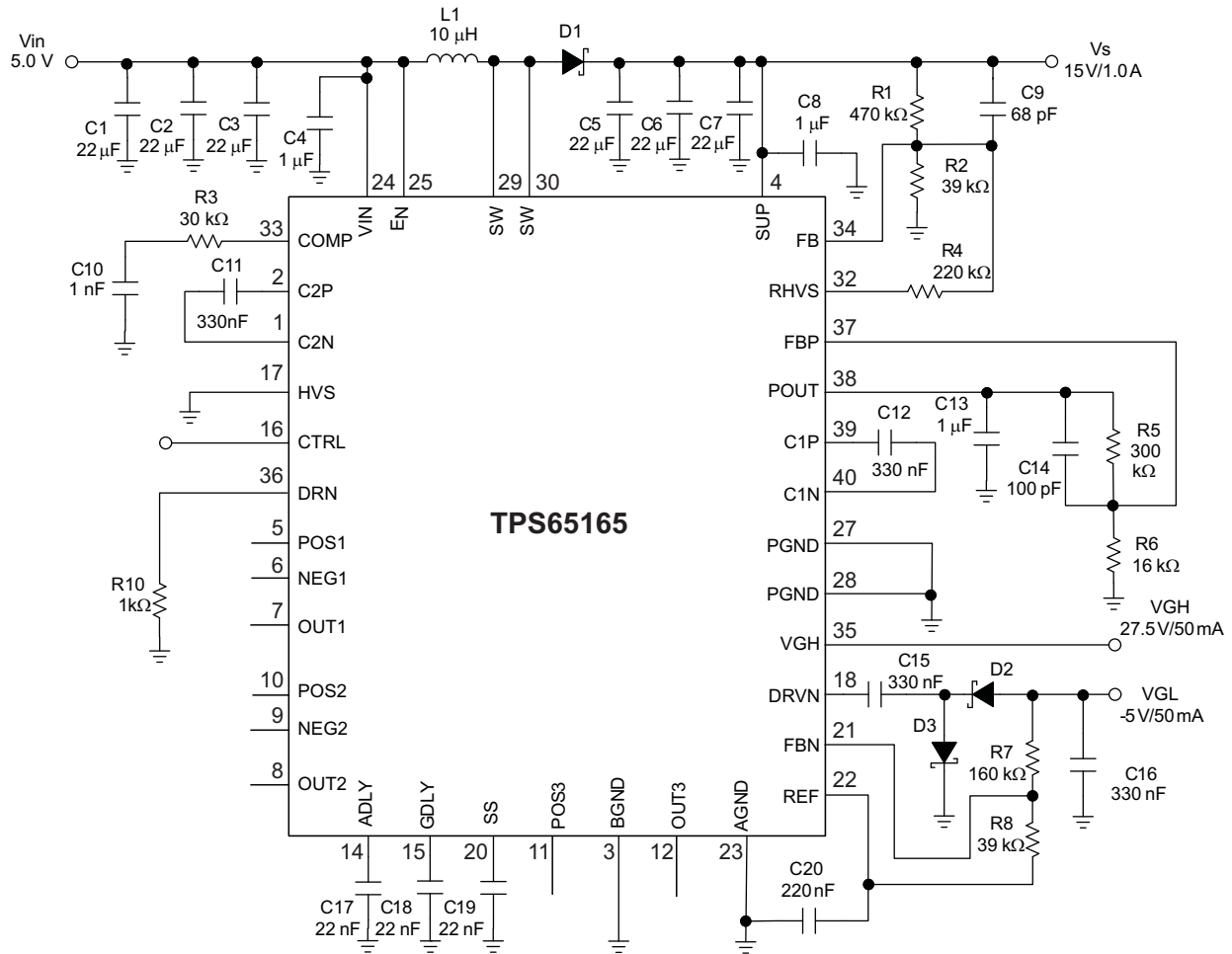


Figure 23. Typical application running from a 5V supply rail

PACKAGING INFORMATION

Orderable Device	Status (1)	Package Type	Package Drawing	Pins	Package Qty	Eco Plan (2)	Lead/Ball Finish	MSL Peak Temp (3)	Op Temp (°C)	Top-Side Markings (4)	Samples
TPS65165RSBR	ACTIVE	WQFN	RSB	40	3000	Green (RoHS & no Sb/Br)	CU NIPDAU	Level-2-260C-1 YEAR	-40 to 85	TPS 65165	Samples
TPS65165RSBRG4	ACTIVE	WQFN	RSB	40	3000	Green (RoHS & no Sb/Br)	CU NIPDAU	Level-2-260C-1 YEAR	-40 to 85	TPS 65165	Samples

(1) The marketing status values are defined as follows:

ACTIVE: Product device recommended for new designs.

LIFEBUY: TI has announced that the device will be discontinued, and a lifetime-buy period is in effect.

NRND: Not recommended for new designs. Device is in production to support existing customers, but TI does not recommend using this part in a new design.

PREVIEW: Device has been announced but is not in production. Samples may or may not be available.

OBSOLETE: TI has discontinued the production of the device.

(2) Eco Plan - The planned eco-friendly classification: Pb-Free (RoHS), Pb-Free (RoHS Exempt), or Green (RoHS & no Sb/Br) - please check <http://www.ti.com/productcontent> for the latest availability information and additional product content details.

TBD: The Pb-Free/Green conversion plan has not been defined.

Pb-Free (RoHS): TI's terms "Lead-Free" or "Pb-Free" mean semiconductor products that are compatible with the current RoHS requirements for all 6 substances, including the requirement that lead not exceed 0.1% by weight in homogeneous materials. Where designed to be soldered at high temperatures, TI Pb-Free products are suitable for use in specified lead-free processes.

Pb-Free (RoHS Exempt): This component has a RoHS exemption for either 1) lead-based flip-chip solder bumps used between the die and package, or 2) lead-based die adhesive used between the die and leadframe. The component is otherwise considered Pb-Free (RoHS compatible) as defined above.

Green (RoHS & no Sb/Br): TI defines "Green" to mean Pb-Free (RoHS compatible), and free of Bromine (Br) and Antimony (Sb) based flame retardants (Br or Sb do not exceed 0.1% by weight in homogeneous material)

(3) MSL, Peak Temp. -- The Moisture Sensitivity Level rating according to the JEDEC industry standard classifications, and peak solder temperature.

(4) Only one of markings shown within the brackets will appear on the physical device.

Important Information and Disclaimer: The information provided on this page represents TI's knowledge and belief as of the date that it is provided. TI bases its knowledge and belief on information provided by third parties, and makes no representation or warranty as to the accuracy of such information. Efforts are underway to better integrate information from third parties. TI has taken and continues to take reasonable steps to provide representative and accurate information but may not have conducted destructive testing or chemical analysis on incoming materials and chemicals. TI and TI suppliers consider certain information to be proprietary, and thus CAS numbers and other limited information may not be available for release.

In no event shall TI's liability arising out of such information exceed the total purchase price of the TI part(s) at issue in this document sold by TI to Customer on an annual basis.

TAPE AND REEL INFORMATION

QUADRANT ASSIGNMENTS FOR PIN 1 ORIENTATION IN TAPE


*All dimensions are nominal

Device	Package Type	Package Drawing	Pins	SPQ	Reel Diameter (mm)	Reel Width W1 (mm)	A0 (mm)	B0 (mm)	K0 (mm)	P1 (mm)	W (mm)	Pin1 Quadrant
TPS65165RSBR	WQFN	RSB	40	3000	330.0	12.4	5.3	5.3	1.5	8.0	12.0	Q2

TAPE AND REEL BOX DIMENSIONS

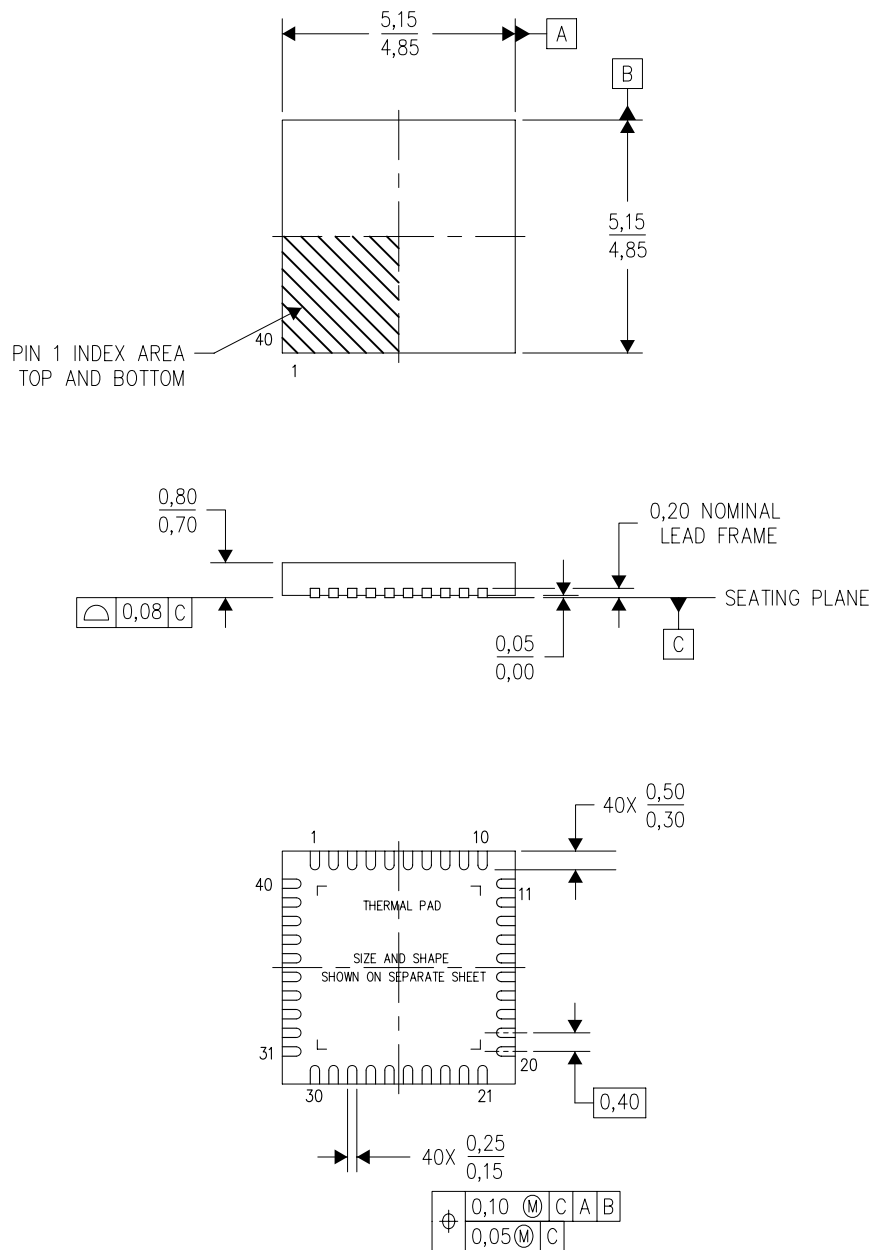


*All dimensions are nominal

Device	Package Type	Package Drawing	Pins	SPQ	Length (mm)	Width (mm)	Height (mm)
TPS65165RSBR	WQFN	RSB	40	3000	367.0	367.0	35.0

RSB (S-PWQFN-N40)

PLASTIC QUAD FLATPACK NO-LEAD



4207182/C 05/11

- NOTES:
- All linear dimensions are in millimeters. Dimensioning and tolerancing per ASME Y14.5M-1994.
 - This drawing is subject to change without notice.
 - QFN (Quad Flatpack No-Lead) Package configuration.
 - The package thermal pad must be soldered to the board for thermal and mechanical performance.
 - See the additional figure in the Product Data Sheet for details regarding the exposed thermal pad features and dimensions.

THERMAL PAD MECHANICAL DATA

RSB (S-PWQFN-N40)

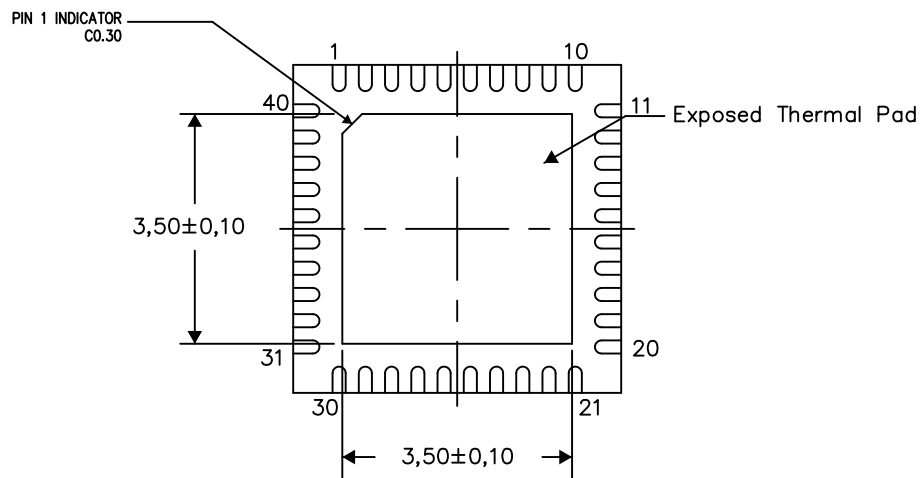
PLASTIC QUAD FLATPACK NO-LEAD

THERMAL INFORMATION

This package incorporates an exposed thermal pad that is designed to be attached directly to an external heatsink. The thermal pad must be soldered directly to the printed circuit board (PCB). After soldering, the PCB can be used as a heatsink. In addition, through the use of thermal vias, the thermal pad can be attached directly to the appropriate copper plane shown in the electrical schematic for the device, or alternatively, can be attached to a special heatsink structure designed into the PCB. This design optimizes the heat transfer from the integrated circuit (IC).

For information on the Quad Flatpack No-Lead (QFN) package and its advantages, refer to Application Report, QFN/SON PCB Attachment, Texas Instruments Literature No. SLUA271. This document is available at www.ti.com.

The exposed thermal pad dimensions for this package are shown in the following illustration.



Bottom View

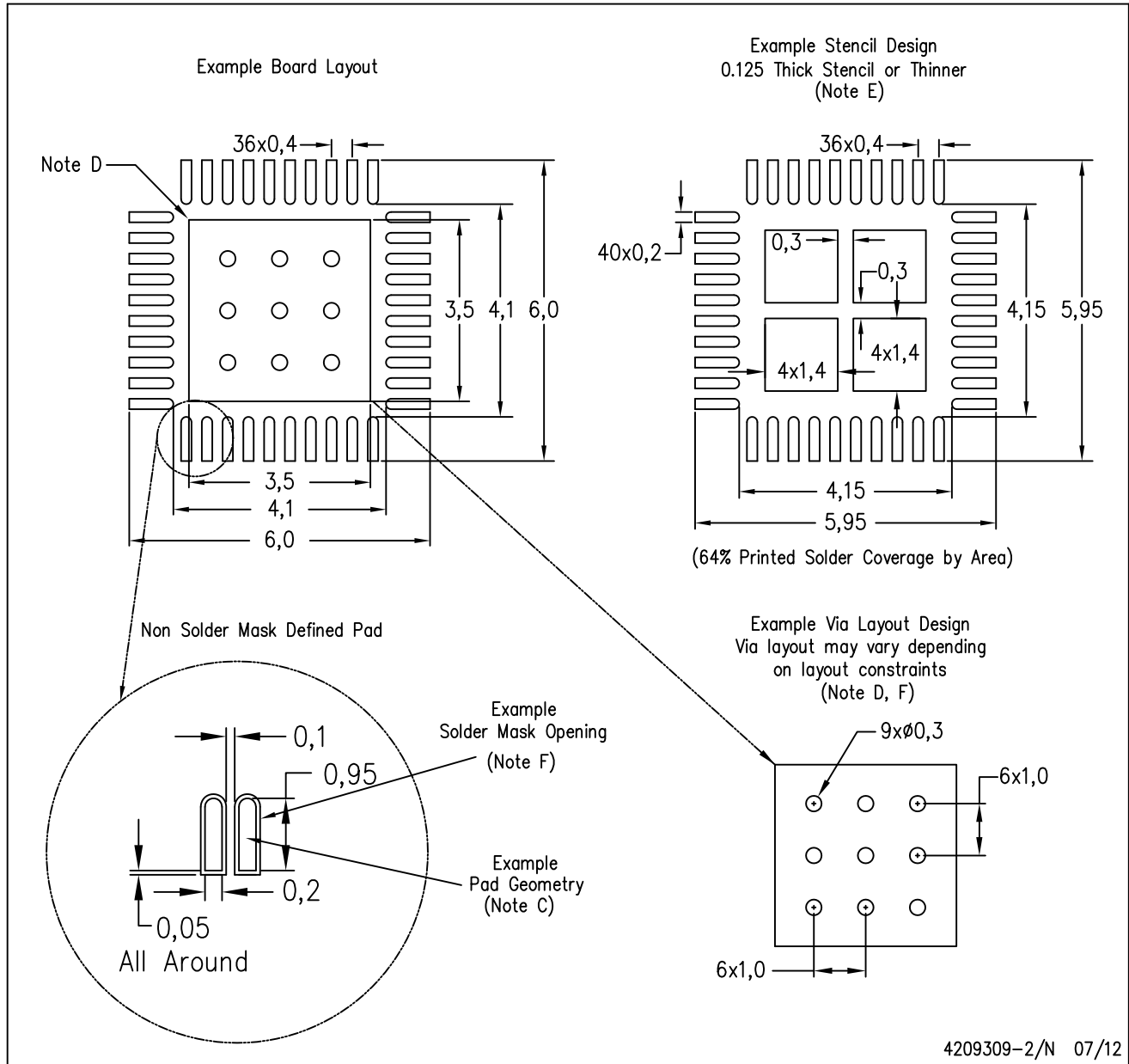
Exposed Thermal Pad Dimensions

4207183-2/P 06/12

NOTE: All linear dimensions are in millimeters

RSB (S-PWQFN-N40)

PLASTIC QUAD FLATPACK NO-LEAD



- NOTES:
- All linear dimensions are in millimeters.
 - This drawing is subject to change without notice.
 - Publication IPC-7351 is recommended for alternate designs.
 - This package is designed to be soldered to a thermal pad on the board. Refer to Application Note, Quad Flat-Pack Packages, Texas Instruments Literature No. SLUA271, and also the Product Data Sheets for specific thermal information, via requirements, and recommended board layout. These documents are available at www.ti.com <<http://www.ti.com>>.
 - Laser cutting apertures with trapezoidal walls and also rounding corners will offer better paste release. Customers should contact their board assembly site for stencil design recommendations. Refer to IPC 7525 for stencil design considerations.
 - Customers should contact their board fabrication site for recommended solder mask tolerances and via tenting recommendations for vias placed in the thermal pad.

IMPORTANT NOTICE

Texas Instruments Incorporated and its subsidiaries (TI) reserve the right to make corrections, enhancements, improvements and other changes to its semiconductor products and services per JESD46, latest issue, and to discontinue any product or service per JESD48, latest issue. Buyers should obtain the latest relevant information before placing orders and should verify that such information is current and complete. All semiconductor products (also referred to herein as "components") are sold subject to TI's terms and conditions of sale supplied at the time of order acknowledgment.

TI warrants performance of its components to the specifications applicable at the time of sale, in accordance with the warranty in TI's terms and conditions of sale of semiconductor products. Testing and other quality control techniques are used to the extent TI deems necessary to support this warranty. Except where mandated by applicable law, testing of all parameters of each component is not necessarily performed.

TI assumes no liability for applications assistance or the design of Buyers' products. Buyers are responsible for their products and applications using TI components. To minimize the risks associated with Buyers' products and applications, Buyers should provide adequate design and operating safeguards.

TI does not warrant or represent that any license, either express or implied, is granted under any patent right, copyright, mask work right, or other intellectual property right relating to any combination, machine, or process in which TI components or services are used. Information published by TI regarding third-party products or services does not constitute a license to use such products or services or a warranty or endorsement thereof. Use of such information may require a license from a third party under the patents or other intellectual property of the third party, or a license from TI under the patents or other intellectual property of TI.

Reproduction of significant portions of TI information in TI data books or data sheets is permissible only if reproduction is without alteration and is accompanied by all associated warranties, conditions, limitations, and notices. TI is not responsible or liable for such altered documentation. Information of third parties may be subject to additional restrictions.

Resale of TI components or services with statements different from or beyond the parameters stated by TI for that component or service voids all express and any implied warranties for the associated TI component or service and is an unfair and deceptive business practice. TI is not responsible or liable for any such statements.

Buyer acknowledges and agrees that it is solely responsible for compliance with all legal, regulatory and safety-related requirements concerning its products, and any use of TI components in its applications, notwithstanding any applications-related information or support that may be provided by TI. Buyer represents and agrees that it has all the necessary expertise to create and implement safeguards which anticipate dangerous consequences of failures, monitor failures and their consequences, lessen the likelihood of failures that might cause harm and take appropriate remedial actions. Buyer will fully indemnify TI and its representatives against any damages arising out of the use of any TI components in safety-critical applications.

In some cases, TI components may be promoted specifically to facilitate safety-related applications. With such components, TI's goal is to help enable customers to design and create their own end-product solutions that meet applicable functional safety standards and requirements. Nonetheless, such components are subject to these terms.

No TI components are authorized for use in FDA Class III (or similar life-critical medical equipment) unless authorized officers of the parties have executed a special agreement specifically governing such use.

Only those TI components which TI has specifically designated as military grade or "enhanced plastic" are designed and intended for use in military/aerospace applications or environments. Buyer acknowledges and agrees that any military or aerospace use of TI components which have **not** been so designated is solely at the Buyer's risk, and that Buyer is solely responsible for compliance with all legal and regulatory requirements in connection with such use.

TI has specifically designated certain components as meeting ISO/TS16949 requirements, mainly for automotive use. In any case of use of non-designated products, TI will not be responsible for any failure to meet ISO/TS16949.

Products

Audio	www.ti.com/audio
Amplifiers	amplifier.ti.com
Data Converters	dataconverter.ti.com
DLP® Products	www.dlp.com
DSP	dsp.ti.com
Clocks and Timers	www.ti.com/clocks
Interface	interface.ti.com
Logic	logic.ti.com
Power Mgmt	power.ti.com
Microcontrollers	microcontroller.ti.com
RFID	www.ti-rfid.com
OMAP Applications Processors	www.ti.com/omap
Wireless Connectivity	www.ti.com/wirelessconnectivity

Applications

Automotive and Transportation	www.ti.com/automotive
Communications and Telecom	www.ti.com/communications
Computers and Peripherals	www.ti.com/computers
Consumer Electronics	www.ti.com/consumer-apps
Energy and Lighting	www.ti.com/energy
Industrial	www.ti.com/industrial
Medical	www.ti.com/medical
Security	www.ti.com/security
Space, Avionics and Defense	www.ti.com/space-avionics-defense
Video and Imaging	www.ti.com/video

TI E2E Community

e2e.ti.com

AMEYA360

Components Supply Platform

Authorized Distribution Brand :



Website :

Welcome to visit www.ameya360.com

Contact Us :

➤ Address :

401 Building No.5, JiuGe Business Center, Lane 2301, Yishan Rd
Minhang District, Shanghai , China

➤ Sales :

Direct +86 (21) 6401-6692

Email amall@ameya360.com

QQ 800077892

Skype [ameyasales1](#) [ameyasales2](#)

➤ Customer Service :

Email service@ameya360.com

➤ Partnership :

Tel +86 (21) 64016692-8333

Email mkt@ameya360.com