



# SERIES R1966 SWITCHES

## ROCKER SWITCHES - ILLUMINATED



### SPECIFICATIONS

Contact Rating: 15A @ 125 VAC  
8A @ 250 VAC (UL, CUL)

Life Expectancy (Mechanical): 30,000 cycles

Life Expectancy (Electrical): 10,000 cycles

Contact Resistance: 20 mΩ max., initial @ 2-4 VDC

Insulation Resistance: > 1,000 MΩ

Dielectric Strength: > 1,500 volts 1 minute

Operating Temperature: -30° C to 55° C

Safety Standard Approval: UL, CUL, VDE

### MATERIALS

Body: Nylon 6/6

Rocker: Polycarbonate

Terminal: Silver plated copper alloy

Contact: Coin silver, silver plated

### FEATURES & BENEFITS

- ▶ Variety of termination options
- ▶ Industry standard panel cut out size
- ▶ Different marking options
- ▶ Variety of functions & colors available
- ▶ LED indicator option available

### APPLICATIONS/MARKETS

- ▶ Audio/Visual
- ▶ Consumer Electronics
- ▶ Test/instrumentation



### HOW TO ORDER

SERIES	CIRCUIT	HOUSING COLOR	ACTUATOR COLOR	MARKING	TERMINATION	LED COLOR
R1966	See Below	BLK = Black WHT = White GRY = Gray	BLK = Black WHT = White GRY = Gray RED = Red ORG = Orange BLU = Blue	A B C D E* F G H I J K L	F = Faston, Quick Connect .187 x .031 G = Quick Connect* .187 x .020 S = Solder Lug P = PC Pin R = Right Angle PC Pin L = Left Angle PC Pin	(R1966 "A" Circuit Only) RED = Red YEL = Yellow GRN = Green BLU = Blue  (See Next Page For Description)
<b>CIRCUIT CODE:</b>						
A = SPST On-Off						
C = SPDT On-On						
D = SPDT On-Off-On						
E = SPST On-(Off)						
F = SPST Off-(On)						
G = SPDT On-(On)						
H = SPDT On-Off-(On)						
I = SPDT (On)-Off-(On)						
( ) = Momentary						



Example Ordering Number  
R1966-A-BLK-BLK-E-F-YEL

\* Only available in SPST versions

Specifications subject to change without notice.



# SERIES R 1966 SWITCHES

## ROCKER SWITCHES - ILLUMINATED

TACT SWITCHES

NAVIGATION SWITCHES

PUSHBUTTON SWITCHES

TOGGLE SWITCHES

ROCKER SWITCHES

SLIDE SWITCHES

SNAP-ACTION SWITCHES

DIP SWITCHES

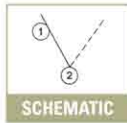
KEYLOCK SWITCHES

ROTARY SWITCHES

DETECTOR SWITCHES

CAP OPTIONS

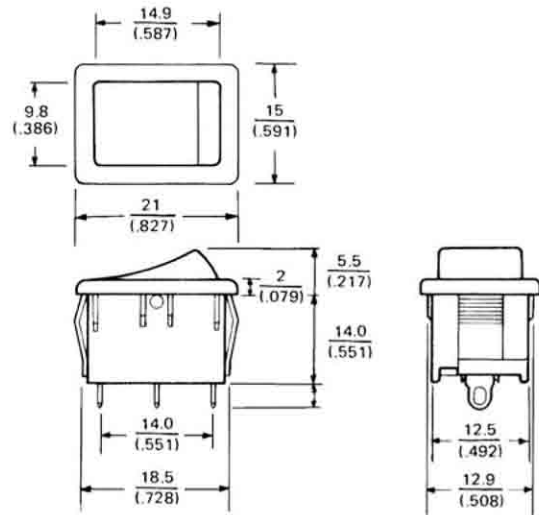
### SPST



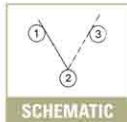
SCHEMATIC

Circuit Code	POS 1	POS 2
A	ON	OFF
E	ON	(OFF)
F	OFF	(ON)
Term. Comm.	2-1	OPEN

( ) = Momentary



### SPDT

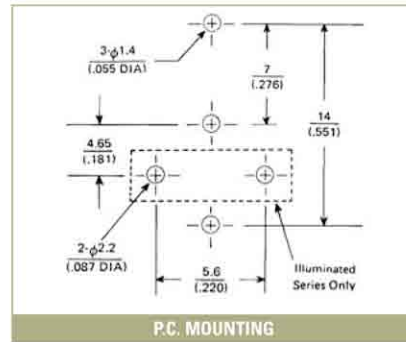
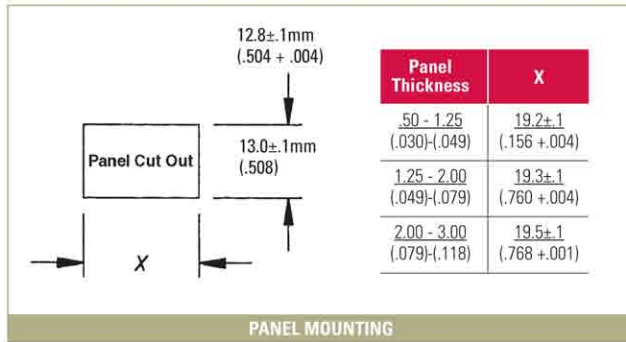


SCHEMATIC

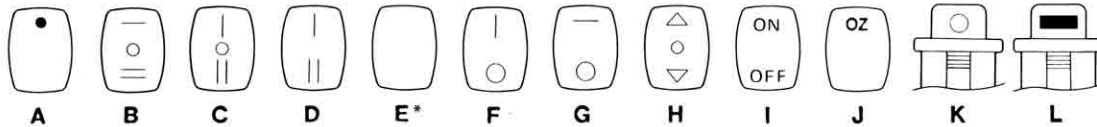
Circuit Code	POS 1	POS 2	POS 3
C	ON	NONE	ON
D	ON	OFF	ON
G	ON	NONE	(ON)
H	ON	OFF	(ON)
I	(ON)	OFF	(ON)
Term. Comm.	2-1	OPEN	2-3

( ) = Momentary

LED Specifications				
Color	Blue	Red	Green	Yellow
Forward Current (mA)	20mA	20mA	20mA	20mA
Forward Voltage @ 20mA	3.2V	2.0V	2.2V	2.1V
Luminous Intensity @ 20mA	85 mcd	30 mcd	30 mcd	30 mcd



### MARKING OPTIONS



\* 'E' Marking standard for all LED versions.

### TERMINATION OPTIONS

S	F	G	P	R	L
SOLDER LUG	FASTON	QUICK CONNECT	PC PIN	RIGHT ANGLE PC PIN	LEFT ANGLE PC PIN
0.7 x 2.4 3.2	6.60 [.260] 4.80 x 0.80 [.187 x .031]	6.60 [.260] 4.80 x 0.50 [.187 x .020]	14 0.8 x 1.2	16 5.5 12	16.00 [.630] 5.50 [.216] 1.20 [.047] 12.00 [.472]

# AMEYA360

## Components Supply Platform

Authorized Distribution Brand :



Website :

Welcome to visit [www.ameya360.com](http://www.ameya360.com)

Contact Us :

➤ Address :

401 Building No.5, JiuGe Business Center, Lane 2301, Yishan Rd  
Minhang District, Shanghai , China

➤ Sales :

Direct +86 (21) 6401-6692

Email [amall@ameya360.com](mailto:amall@ameya360.com)

QQ 800077892

Skype [ameyasales1](#) [ameyasales2](#)

➤ Customer Service :

Email [service@ameya360.com](mailto:service@ameya360.com)

➤ Partnership :

Tel +86 (21) 64016692-8333

Email [mkt@ameya360.com](mailto:mkt@ameya360.com)