



Micropower, Latching Voltage Monitors in SOT23-5

MAX834/MAX835

General Description

The MAX834/MAX835 micropower voltage monitors contain a 1.204V precision bandgap reference, comparator, and latched output in a 5-pin SOT23 package. Using the latched output prevents deep discharge of batteries. The MAX834 has an open-drain, n-channel output driver, while the MAX835 has a push-pull output driver. Two external resistors set the trip-threshold voltage.

The MAX834/MAX835 feature a level-sensitive latch, eliminating the need to add hysteresis to prevent oscillations in battery-load-disconnect applications.

Applications

Precision Battery Monitors
Load Switching
Battery-Powered Systems
Threshold Detectors

Features

- ◆ Prevent Deep Discharge of Batteries
- ◆ Precision $\pm 1.25\%$ Voltage Threshold
- ◆ Latched Output (Once Low, Stays Low Until Cleared)
- ◆ SOT23-5 Package
- ◆ Low Cost
- ◆ +2.5V to +11V Wide Operating Voltage Range
- ◆ $< 2\mu\text{A}$ Typical Supply Current
- ◆ Open-Drain Output (MAX834)/Push-Pull Output (MAX835)

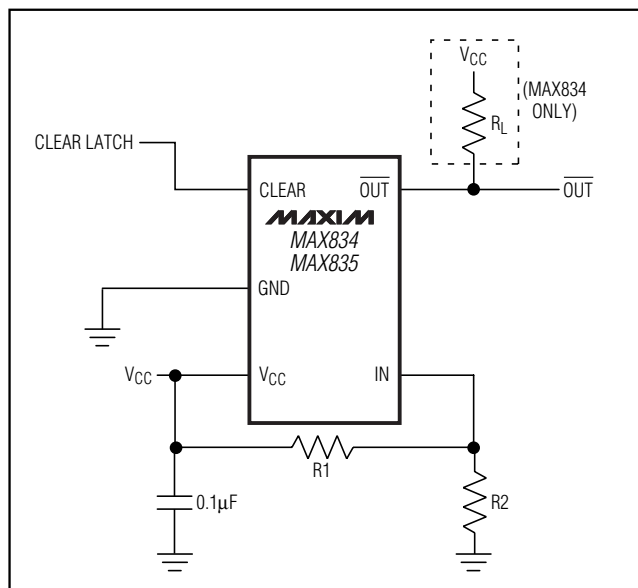
Ordering Information

PART	PIN-PACKAGE	TOP MARK
MAX834EUK-T	5 SOT23	AAAX
MAX835EUK-T	5 SOT23	AAAY

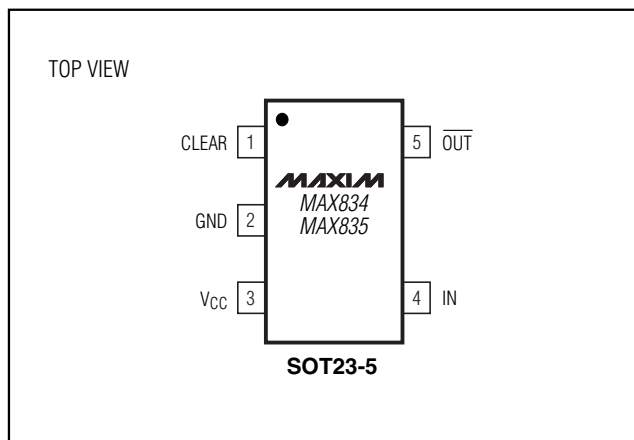
Note: All devices are specified over the -40°C to $+85^{\circ}\text{C}$ operating temperature range.

Devices are available in both leaded and lead-free packaging. Specify lead-free by changing "-T" with "+T" when ordering.

Typical Operating Circuit



Pin Configuration



Micropower, Latching Voltage Monitors in SOT23-5

ABSOLUTE MAXIMUM RATINGS

V_{CC} , \overline{OUT} (MAX834), CLEAR to GND	-0.3V to +12V
IN, \overline{OUT} (MAX835) to GND.....	-0.3V to ($V_{CC} + 0.3V$)
INPUT Current	
V_{CC}	20mA
IN.....	10mA
OUTPUT Current.....	-20mA
V_{CC} Rate of Rise	100V/ μ s

Continuous Power Dissipation ($T_A = +70^\circ\text{C}$)	
5-Pin SOT23 (derate 7.1mW/C above $+70^\circ\text{C}$)	571mW
Operating Temperature Range	-40°C to $+85^\circ\text{C}$
Storage Temperature Range	-65°C to $+150^\circ\text{C}$
Lead Temperature (soldering, 10s)	$+300^\circ\text{C}$
Soldering Temperature (reflow)	$+240^\circ\text{C}$

Stresses beyond those listed under "Absolute Maximum Ratings" may cause permanent damage to the device. These are stress ratings only, and functional operation of the device at these or any other conditions beyond those indicated in the operational sections of the specifications is not implied. Exposure to absolute maximum rating conditions for extended periods may affect device reliability.

ELECTRICAL CHARACTERISTICS

($V_{CC} = +2.5V$ to $+11V$, $T_A = T_{MIN}$ to T_{MAX} , unless otherwise noted. Typical values are at $T_A = +25^\circ\text{C}$.)

PARAMETER	SYMBOL	CONDITIONS		MIN	TYP	MAX	UNITS	
Operating Voltage Range (Note 1)	V_{CC}			2.5		11.0	V	
Supply Current (Note 2)	I_{CC}	$V_{IN} = 1.6V$, $\overline{OUT} =$ low, $V_{CLEAR} \geq$ $V_{CC} - 0.25V$ or $V_{CLEAR} \leq 0.25V$	$V_{CC} = 3.6V$	$T_A = +25^\circ\text{C}$	2.4	5	μA	
				$T_A = T_{MIN}$ to T_{MAX}		10		
		$V_{CC} =$ full operating range						15
		$V_{IN} = 1.25V$, $\overline{OUT} =$ high, $V_{CLEAR} \geq$ $V_{CC} - 0.25V$ or $V_{CLEAR} \leq 0.25V$	$V_{CC} = 3.6V$	$T_A = +25^\circ\text{C}$	1.1	4		
	$T_A = T_{MIN}$ to T_{MAX}			8				
		$V_{CC} =$ full operating range				13		
Threshold Voltage	V_{TH}	V_{IN} falling	$T_A = +25^\circ\text{C}$	1.185	1.204	1.215	V	
			$T_A = 0^\circ\text{C}$ to $+70^\circ\text{C}$	1.169	1.204	1.231		
Threshold Voltage Hysteresis	V_{HYST}	$V_{CC} = 5V$, IN = low to high			6		mV	
IN Operating Voltage Range (Note 1)	V_{IN}			0		$V_{CC} - 1$	V	
IN Leakage Current (Note 3)	I_{IN}	$V_{IN} = V_{TH}$			± 3	± 12	nA	
Propagation Delay	t_{PL}	$V_{CC} = 5V$, 50mV overdrive			80		μs	
Glitch Immunity		$V_{CC} = 5V$, 100mV overdrive			35		μs	
OUT Rise Time	t_{RT}	$V_{CC} = 5V$, no load (MAX835 only)			200		ns	
OUT Fall Time	t_{FT}	$V_{CC} = 5V$, no load (MAX834 pullup = 10k Ω)			480		ns	
Output Leakage Current (Note 4)	I_{LOUT}	$V_{IN} > V_{TH(MAX)}$ (MAX834 only)				± 1	μA	
Output-Voltage High	V_{OH}	$V_{IN} > V_{TH(MAX)}$, $I_{SOURCE} = 500\mu\text{A}$ (MAX835 only)		$V_{CC} - 0.5$			V	
Output-Voltage Low	V_{OL}	$V_{IN} < V_{TH(MIN)}$, $I_{SINK} = 500\mu\text{A}$				0.4	V	
CLEAR Input High Voltage	V_{CIH}			2			V	

Micropower, Latching Voltage Monitors in SOT23-5

MAX834/MAX835

ELECTRICAL CHARACTERISTICS (continued)

($V_{CC} = +2.5V$ to $+11V$, $T_A = T_{MIN}$ to T_{MAX} , unless otherwise noted. Typical values are at $T_A = +25^\circ C$.)

PARAMETER	SYMBOL	CONDITIONS	MIN	TYP	MAX	UNITS
CLEAR Input Low Voltage	V_{CIL}				0.4	V
CLEAR Input Leakage Current	t_{CLEAR}			± 1	± 100	nA
CLEAR Input Pulse Width	t_{CLR}		1			μs

Note 1: The voltage-detector output remains in the correct state for V_{CC} down to 1.2V when $V_{IN} \leq V_{CC}/2$.

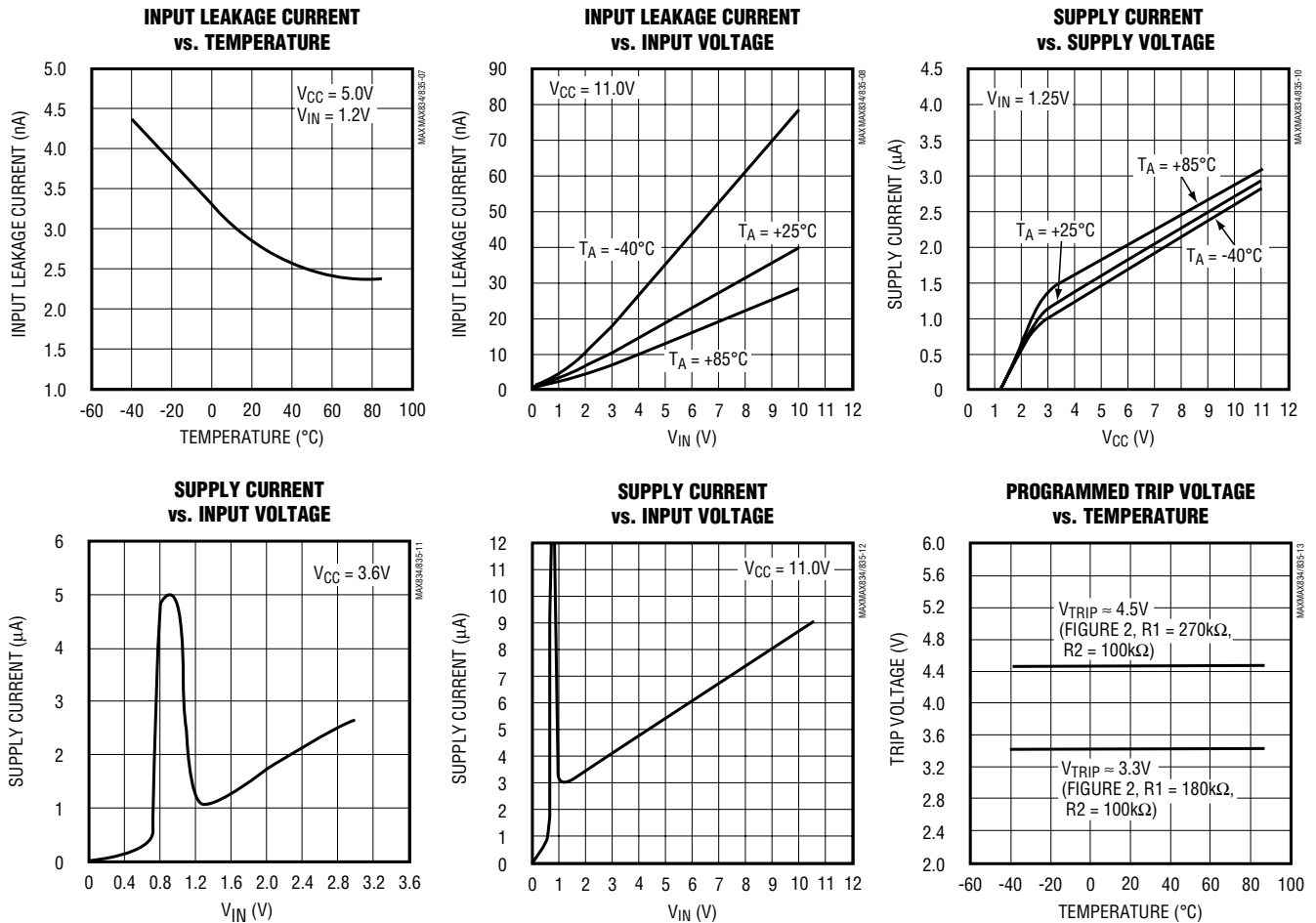
Note 2: Supply current has a monotonic dependence on V_{CC} (see the *Typical Operating Characteristics*).

Note 3: IN leakage current has a monotonic dependence on V_{CC} (see the *Typical Operating Characteristics*).

Note 4: The MAX834 open-drain output can be pulled up to a voltage greater than V_{CC} , but may not exceed 11V.

Typical Operating Characteristics

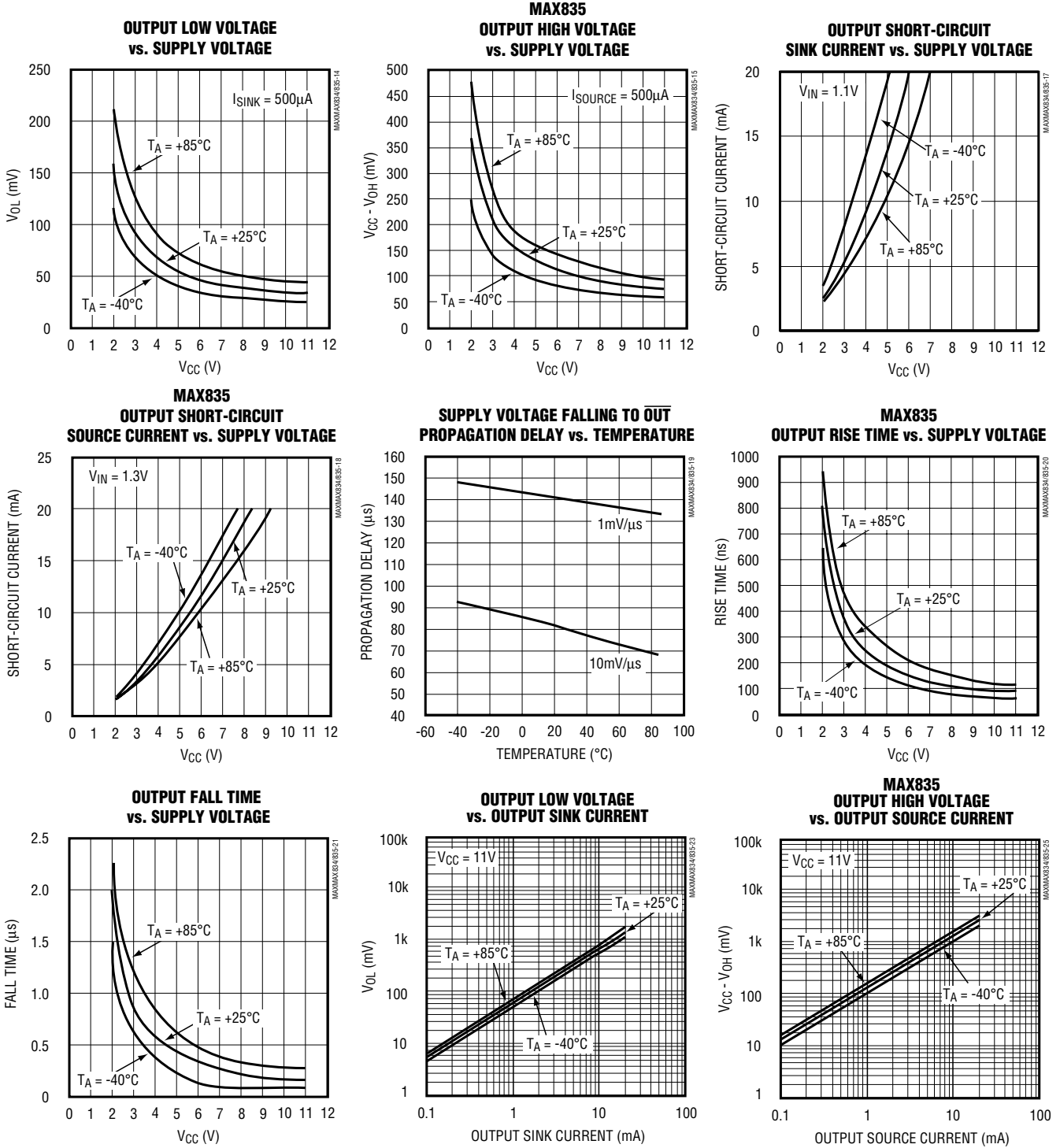
($V_{CC} = +5V$, Typical Operating Circuit, $T_A = +25^\circ C$, unless otherwise noted.)



Micropower, Latching Voltage Monitors in SOT23-5

Typical Operating Characteristics (continued)

($V_{CC} = +5V$, Typical Operating Circuit, $T_A = +25^\circ C$, unless otherwise noted.)

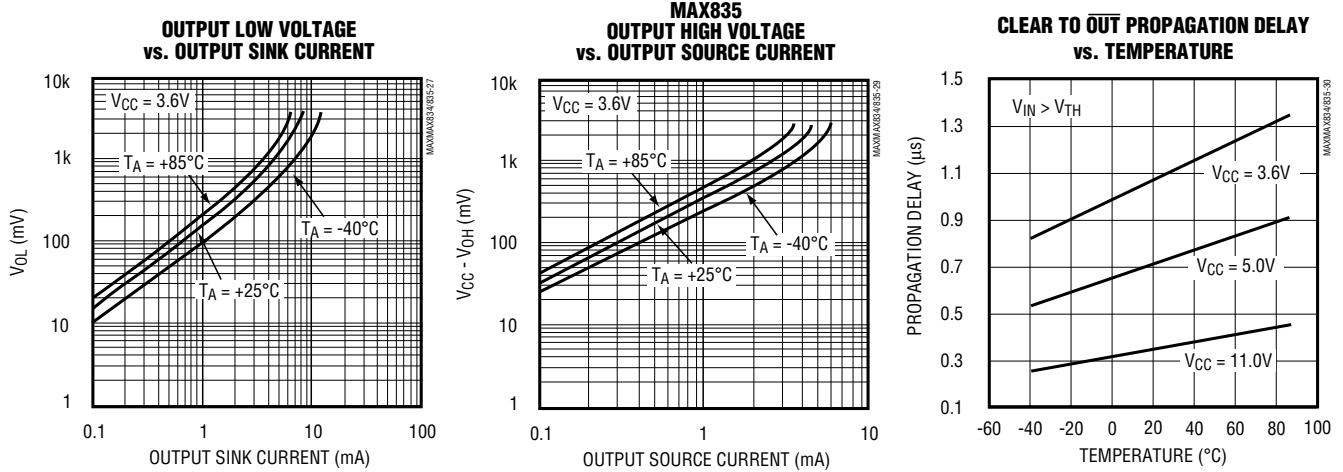


Micropower, Latching Voltage Monitors in SOT23-5

MAX834/MAX835

Typical Operating Characteristics (continued)

($V_{CC} = +5V$, Typical Operating Circuit, $T_A = +25^\circ C$, unless otherwise noted.)



Pin Description

PIN	NAME	FUNCTION
1	CLEAR	Clear Input Resets the Latched Output. With $V_{IN} > V_{TH}$, pulse CLEAR high for a minimum of $1\mu s$ to reset the output latch. Connect to V_{CC} to make the latch transparent.
2	GND	System Ground
3	V_{CC}	System Supply Input
4	IN	Noninverting Input to the Comparator. The inverting input connects to the internal 1.204V bandgap reference.
5	\overline{OUT}	Open-Drain (MAX834) or Push-Pull (MAX835) Latched Output. \overline{OUT} is active-low.

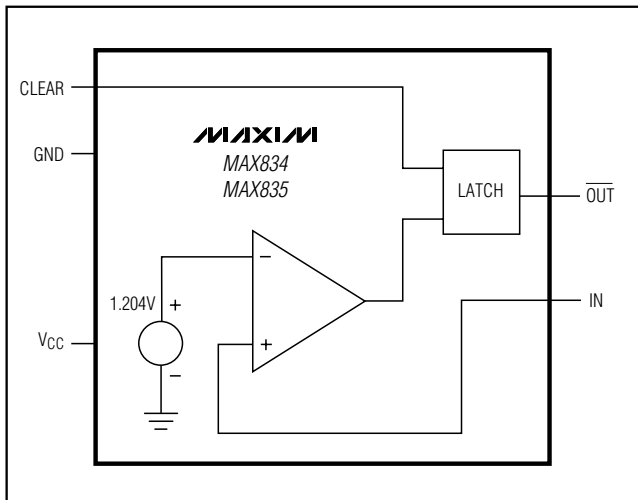


Figure 1. Functional Diagram

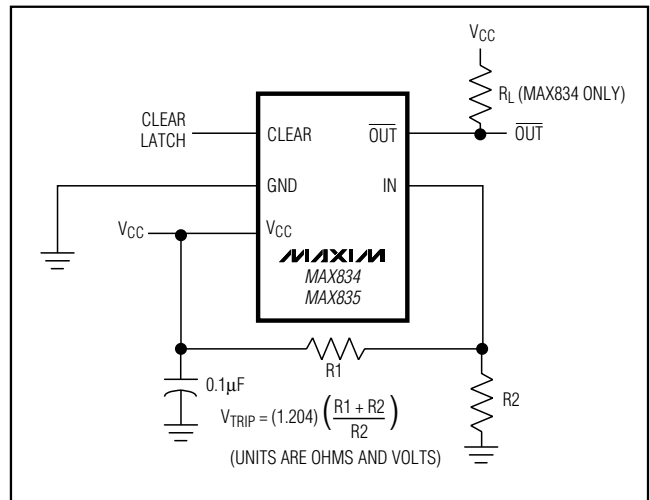


Figure 2. Programming the Trip Voltage (V_{TRIP})

Micropower, Latching Voltage Monitors in SOT23-5

Detailed Description

The MAX834/MAX835 micropower voltage monitors contain a 1.204V precision bandgap reference and a comparator with an output latch (Figure 1). The difference between the two parts is the structure of the comparator output driver. The MAX834 has an open-drain, n-channel output driver that can be pulled up to a voltage higher than V_{CC} , but less than 11V. The MAX835's output is push-pull and can both source and sink current.

Programming the Trip Voltage (V_{TRIP})

Two external resistors set the trip voltage, V_{TRIP} (Figure 2). V_{TRIP} is the point at which the falling monitored voltage (typically V_{CC}) causes \overline{OUT} to go low. IN 's high input impedance allows the use of large-value resistors without compromising trip voltage accuracy. To minimize current consumption, choose a value for R_2 between 500k Ω and 1M Ω , then calculate R_1 as follows:

$$R_1 = R_2 [(V_{TRIP} / V_{TH}) - 1]$$

where V_{TRIP} is the desired trip voltage and V_{TH} is the threshold voltage (1.204V). The voltage at IN must be at least 1V less than V_{CC} .

Latched-Output Operation

The MAX834/MAX835 feature a level-sensitive latch input (CLEAR), designed to eliminate the need for hysteresis in battery undervoltage-detection applications. When the monitored voltage (V_{MON}) is above the programmed trip voltage (V_{TRIP}) (as when the system battery is recharged or a fresh battery is installed), pulse CLEAR low-high-low for at least 1 μ s to reset the output latch (\overline{OUT} goes high). When V_{MON} falls below V_{TRIP} , \overline{OUT} goes low and remains low (even if V_{MON} rises above V_{TRIP}), until CLEAR is pulsed high again with $V_{MON} > V_{TRIP}$. Figure 3a shows the timing relationship between V_{MON} , \overline{OUT} , and CLEAR.

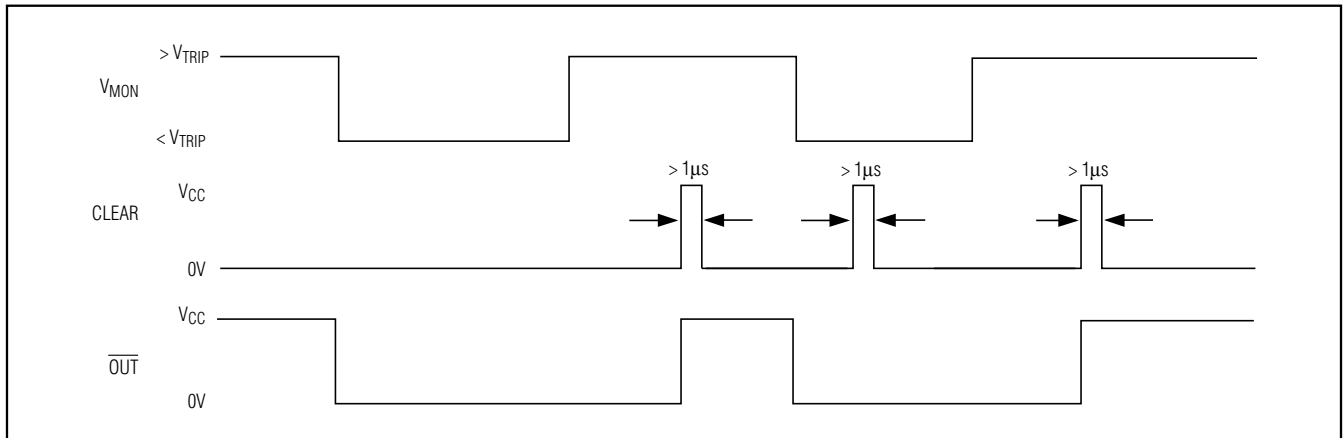


Figure 3a. Timing Diagram

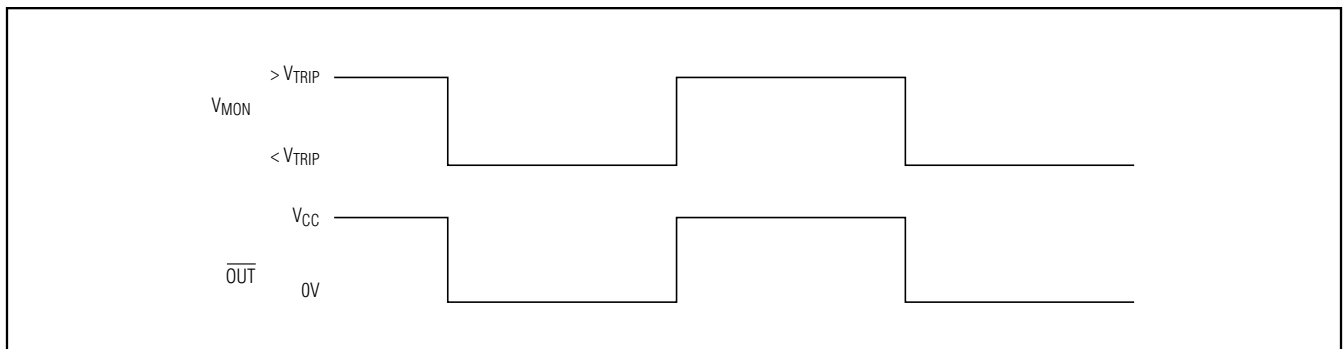


Figure 3b. Timing Diagram, CLEAR = V_{CC}

Micropower, Latching Voltage Monitors in SOT23-5

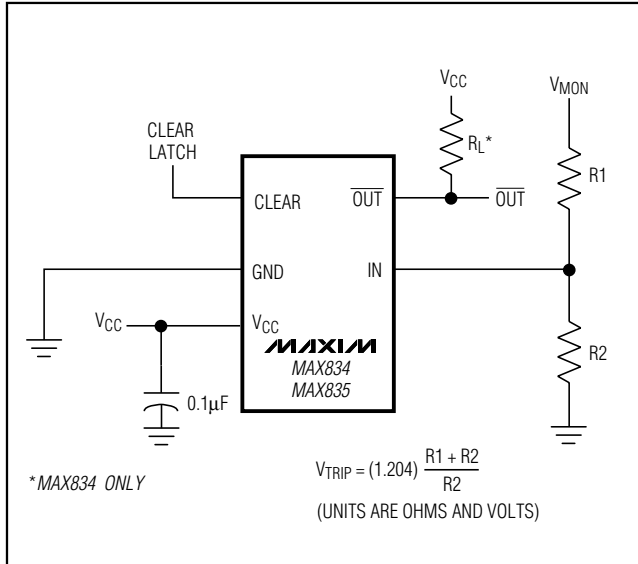


Figure 4. Monitoring Voltages Other than VCC

Monitoring Voltages Other than VCC

The *Typical Operating Circuit* for the MAX834/MAX835 monitors VCC. Voltages other than VCC can easily be monitored, as shown in Figure 4. Calculate VTRIP as in the *Programming the Trip Voltage (VTRIP)* section. When monitoring voltages other than VCC, ensure that the maximum value for V_{MON} is not exceeded:

$$V_{MON(MAX)} = (V_{CC} - 1) (R1 + R2) / R2$$

Load-Disconnect Switch

The circuit in Figure 5 is designed to prevent a lead-acid battery or a secondary battery such as an NiCd, from sustaining damage through deep discharge. As the battery reaches critical undervoltage, \overline{OUT} switches low. Q1 and Q2 turn off, disconnecting the battery from the load. The MAX835's latched output prevents Q1 and Q2 from turning on again as the battery voltage relaxes to its open-circuit voltage when the load disconnects. CLEAR can be connected to a pushbutton switch, an RC network, or a logic gate to reset the latch when the battery is recharged or replaced.

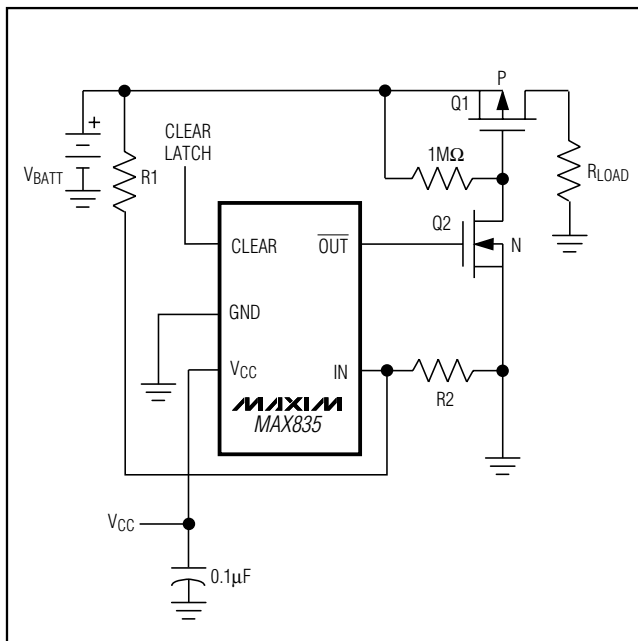


Figure 5. Load-Disconnect Switch

Micropower, Latching Voltage Monitors in SOT23-5

Chip Information

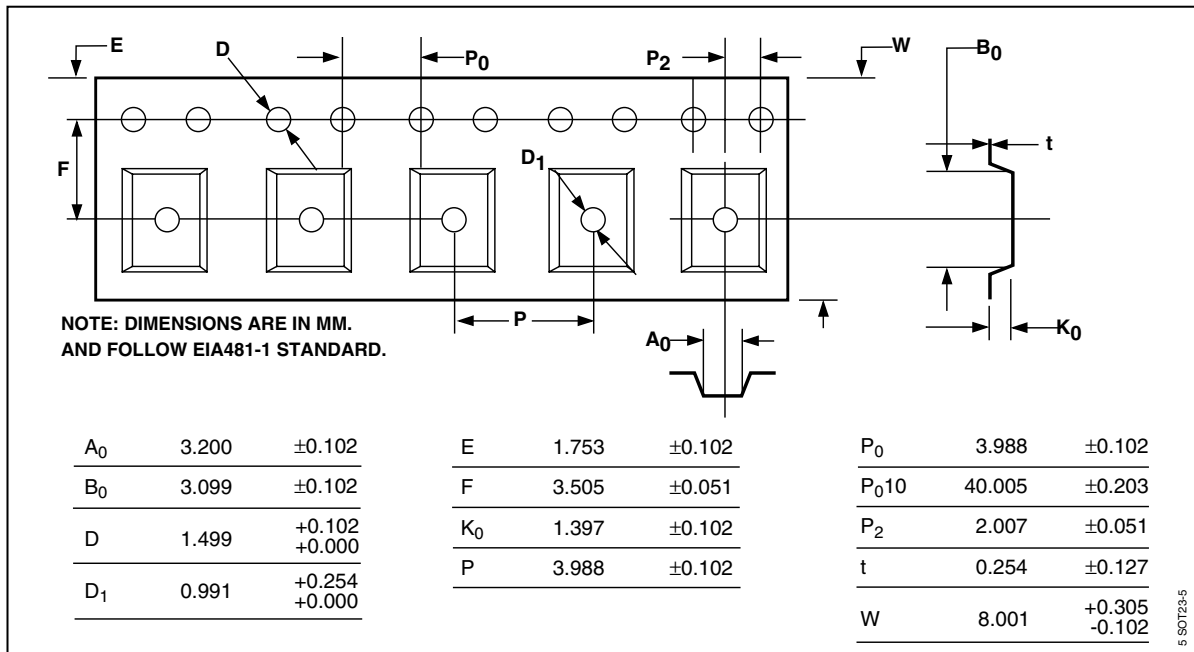
TRANSISTOR COUNT: 74

Package Information

For the latest package outline information and land patterns, go to www.maxim-ic.com/packages. Note that a "+", "#", or "-" in the package code indicates RoHS status only. Package drawings may show a different suffix character, but the drawing pertains to the package regardless of RoHS status.

PACKAGE TYPE	PACKAGE CODE	DOCUMENT NO.
5 SOT23	U5-1	21-0057

Tape-and-Reel Information



Micropower, Latching Voltage Monitors in SOT23-5

Revision History

REVISION NUMBER	REVISION DATE	DESCRIPTION	PAGES CHANGED
0	12/96	Initial release	—
1	12/05	Added lead-free option to <i>Ordering Information</i> .	1
2	1/07	Fix limits in <i>Electrical Characteristics</i> and add lead-free part numbers.	1, 2
3	3/10	Updated <i>Electrical Characteristics</i> .	3

MAX834/MAX835

Maxim cannot assume responsibility for use of any circuitry other than circuitry entirely embodied in a Maxim product. No circuit patent licenses are implied. Maxim reserves the right to change the circuitry and specifications without notice at any time.

9 **Maxim Integrated Products, 120 San Gabriel Drive, Sunnyvale, CA 94086 (408) 737-7600**

AMEYA360

Components Supply Platform

Authorized Distribution Brand :



Website :

Welcome to visit www.ameya360.com

Contact Us :

➤ Address :

401 Building No.5, JiuGe Business Center, Lane 2301, Yishan Rd
Minhang District, Shanghai , China

➤ Sales :

Direct +86 (21) 6401-6692

Email amall@ameya360.com

QQ 800077892

Skype [ameyasales1](#) [ameyasales2](#)

➤ Customer Service :

Email service@ameya360.com

➤ Partnership :

Tel +86 (21) 64016692-8333

Email mkt@ameya360.com