

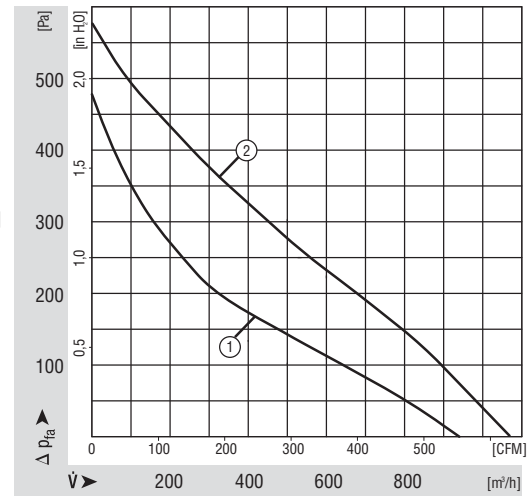
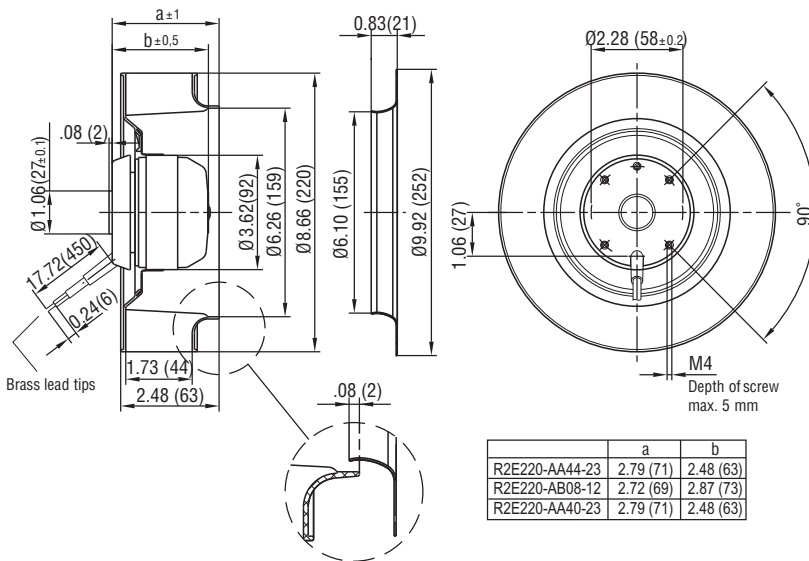


R2E220 Series Motorized Impeller

Ø 220mm Backward Curved

- Backward curved centrifugal fans feature extremely long blades. These impellers are highly resistant to dirt and dust. Their hydraulic efficiency is very high.
- Impeller completely made of plastic PA 6.6.
- Maintenance-free ball bearings.
- Insulation class "B". Cable exit: variable. Direction of rotation is CW as seen from intake side.
- UL, CSA, VDE approvals on most models, please contact application engineering.
- Recommended inlet ring: 9609-2-4013.

Part Number	Curve	CFM @ 0	VAC	Hertz	Power (W)	dBA	Max. Amb. Temp C	Speed (RPM)	Bearing Type	Features	Capacitor (µF)	Wgt. (lbs)
R2E220-AA44-23	1	530	115	50/60	100	74	60	2550	Ball	Leads	10	3.50
R2E220-AB08-12	2	629.5	115	50/60	125	75	30	3050	Ball	Leads	10	3.30
R2E220-AA40-23	1	530	230	60	100	74	55	2550	Ball	Leads	2	3.50



AMEYA360

Components Supply Platform

Authorized Distribution Brand :



Website :

Welcome to visit www.ameya360.com

Contact Us :

➤ Address :

401 Building No.5, JiuGe Business Center, Lane 2301, Yishan Rd
Minhang District, Shanghai , China

➤ Sales :

Direct +86 (21) 6401-6692

Email amall@ameya360.com

QQ 800077892

Skype [ameyasales1](#) [ameyasales2](#)

➤ Customer Service :

Email service@ameya360.com

➤ Partnership :

Tel +86 (21) 64016692-8333

Email mkt@ameya360.com