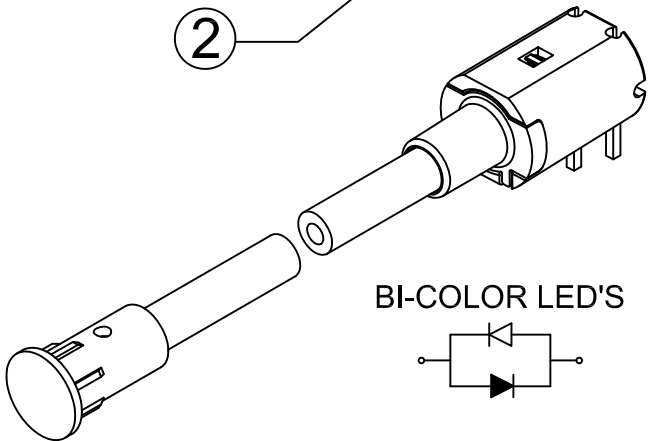
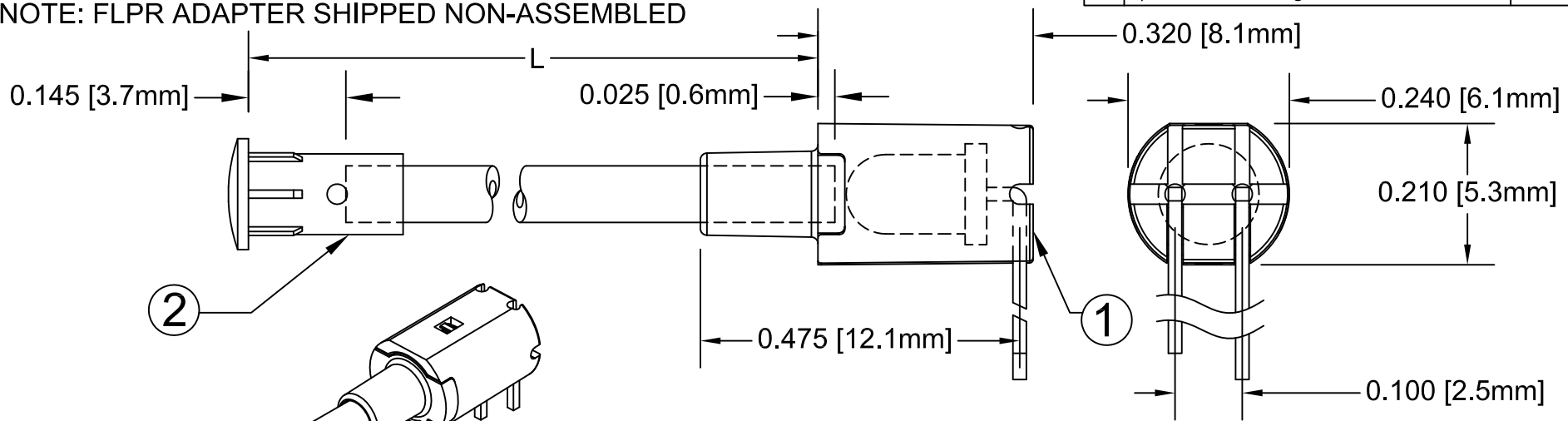


ITEM	Q'TY	PART NUMBER	PART DESCRIPTION
1	1	FLPR-XX	Flexible Light Pipe Adapter, 90°, w/LED, See page 2 & 3.
2	1	LC-XX.X	Flexible Light-Pipe Lens Cap Assembly

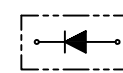
REV.	DESCRIPTION	DATE	APPROVED
D	Added Shipping Note and Tolerance Table	04/17/06	M. C.
E	Changed Length From 2.5 to 0.5 at "L" Table	02/12/07	M. C.
F	Updated FLPC Hidden View and BOM	08/27/08	M. C.
G	LED Data Update	11/18/11	T. Y.
H	RP note added	02/09/12	T. Y.
J	Added the 3HC-F LED to page 2	02/09/12	T. Y.
K	Updated Table For Length "L"	11/15/12	T. Y.

NOTE: FLPR ADAPTER SHIPPED NON-ASSEMBLED



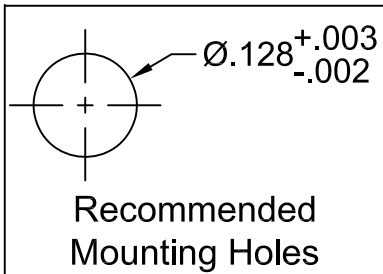
" L " *	Tolerance
1.0" ~ 16.0"	±0.050"
16.1" ~ 40.0"	±0.15"
40.1" ~ 80.0"	±0.30"
80.1" ~ 3,940.0"	±0.5%

\* Available in 0.1" increments only

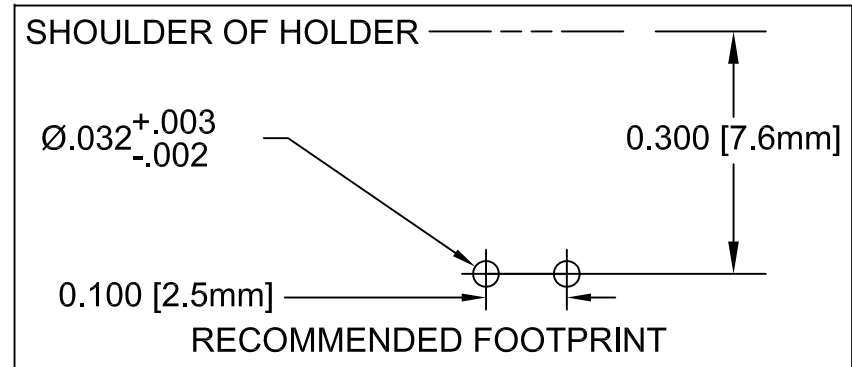


SINGLE COLOR LED  
SHORT LEAD CATHODE

Add -RP suffix for Reverse Polarity



SHORT LEAD CATHODE	LED PART NO.	LONG LEAD CATHODE
RED	3xBCC-F	GREEN
YELLOW	3xBCC-Y/G-F	GREEN
RED	3xBCC-R/Y-F	YELLOW
AMBER	3xBCC-A/G-F	GREEN



### ABSOLUTE MAXIMUM RATINGS (Ta=25°C)

REVERSE VOLTAGE	_____	5V
REVERSE CURRENT	_____	100uA
OPERATING TEMPERATURE RANGE	_____	-25° C - 85° C
STORAGE TEMPERATURE	_____	-30° C - 100° C
LEAD SOLDERING TEMPERATURE (1/16" FROM BODY)	_____	260° C FOR 5 SECONDS

STANDARD TOLERANCE (UNLESS OTHERWISE SPECIFIED)	
DECIMALS	ANGULAR
.X ±.1	X° ± 1°
.XX ±.02	
.XXX ±.010	

**BIVAR**<sup>®</sup>  
4 THOMAS, IRVINE, CA. 92618  
TEL: (949) 951-8808 FAX: (949) 951-3974

TITLE: FLEXIBLE LIGHT-PIPE ASSY  
RIGHT ANGLE, 3mm LENS CAP W/LED



DESIGNED: <b>Shane Irving</b>	DATE: <b>02/09/99</b>
CHECKED: <b>M. Chen</b>	DATE: <b>07/03/02</b>

PART NO: <b>FLPRX.X-XX</b>	REVISION: <b>K</b>
CAGE CODE : <b>32559</b>	SHEET # <b>1</b> OF <b>3</b>

CAD GENERATED DOCUMENT, DO NOT MEASURE DRAWING.



REV.	DESCRIPTION	DATE	APPROVED
	SEE SHEET#1.		

Assy Part No.	LED Part No.	Chip			Lens Appearance	Absolute Max. Ratings				Electro-Optical Data @ 20mA			Viewing Angle 2θ ½ (Deg)
		Material	Peak Wave Length λp(nm)	Emitted Color		Δλ (nm)	Pd (mW)	If (mA)	Peak If(mA)	Vf (V)		Iv (mcd)	
										TYP	MAX	TYP	
FLPRX.X-SG	3SGC-F	GaP/GaP	568	SUPER GREEN	WATER CLEAR	-	80	30	150	2.1	2.8	50	20
FLPRX.X-SY	3SYC-F	GaAsP/GaP	590	SUPER YELLOW	WATER CLEAR	-	85	30	150	2.0	2.8	50	20
FLPRX.X-SA	3SAC-F	AlGalnP	605	SUPER AMBER	WATER CLEAR	-	100	30	150	1.8	2.4	300	20
FLPRX.X-SR	3SRC-F	GaAiAsP/GaAs	645	SUPER RED	WATER CLEAR	-	70	30	150	1.7	2.4	60	20
FLPRX.X-UBW.6K	3UBWC-0.6K-F	GaN/SiC	470	BLUE	WATER CLEAR	-	150	25	70	4.0	4.5	400	20
FLPRX.X-UT	3UTC-F	GaN/SiC	500	TURQUOISE	WATER CLEAR	-	70	30	150	3.5	4.0	800	20
FLPRX.X-UG	3UGC-F	AlGalnP	570	GREEN	WATER CLEAR	-	100	30	150	2.1	2.4	200	20
FLPRX.X-SUG	3SUGC-F	AlGalnP	570	GREEN	WATER CLEAR	-	100	30	150	2.1	2.4	300	20
FLPRX.X-UY	3UYC-F	AlGalnP	590	YELLOW	WATER CLEAR	-	85	30	150	2.0	2.4	300	20
FLPRX.X-SUY	3SUYC-F	AlGalnP	590	YELLOW	WATER CLEAR	-	85	30	150	2.0	2.4	400	20
FLPRX.X-UUY	3UUYC-F	AlGalnP	590	YELLOW	WATER CLEAR	-	85	30	150	2.0	2.4	600	20
FLPRX.X-UO	3UOC-F	AlGalnP	625	ORANGE	WATER CLEAR	-	100	30	150	1.8	2.4	300	20
FLPRX.X-SUO	3SUOC-F	AlGalnP	625	ORANGE	WATER CLEAR	-	100	30	150	1.8	2.4	400	20
FLPRX.X-UR	3URC-F	GaAlAs/GaAs	645	RED	WATER CLEAR	-	60	30	150	1.7	2.4	200	20
FLPRX.X-SUR	3SURC-F	AlGalnP	640	RED	WATER CLEAR	-	70	30	150	1.8	2.4	200	20
FLPRX.X-H	3HC-F	GaAsP/GaP	625	RED	WATER CLEAR	-	80	30	150	2.0	2.8	50	20

STANDARD TOLERANCE ( UNLESS OTHERWISE SPECIFIED ) ±10% ALL VALUES		 <b>BIVAR</b> <sup>®</sup> 4 THOMAS, IRVINE, CA. 92618 TEL: (949) 951-8808 FAX: (949) 951-3974	
ANGULAR X° ± 5°			
		<b>TITLE:</b> FLEXIBLE LIGHT-PIPE ASSY RIGHT ANGLE, 3mm LENS CAP W/LED	
DESIGNED: <b>David Green</b>	DATE: <b>06/09/03</b>	<b>PART NO:</b> FLPRX.X-XX	REVISION: <b>K</b>
CHECKED: <b>M. Chen</b>	DATE: <b>06/09/03</b>	<b>CAGE CODE :</b> 32559	<b>SHEET # 2 OF 3</b>
CAD GENERATED DOCUMENT, DO NOT MEASURE DRAWING.			

REV.	DESCRIPTION	DATE	APPROVED
	SEE SHEET#1.		

Assy Part No.	LED Part No.	Chip			Lens Appearance	Absolute Max. Ratings				Electro-Optical Data @ 20mA			Viewing Angle 2θ ½ (Deg)
		Material	Peak Wave Length λp(nm)	Emitted Color		Δλ (nm)	Pd (mW)	If (mA)	Peak If(mA)	Vf (V)		Iv (mcd)	
										TYP	MAX	TYP	
FLPRX.X-BC	3BCC-F	GaAsP/GaP	625	RED	WATER CLEAR	35	80	30	150	2.0	2.8	8	40
		GaP/GaP	568	GREEN		30	80	30	150	2.1	2.8	8	
FLPRX.X-BC-Y/G	3BCC-Y/G-F	GaAsP/GaP	590	YELLOW	WATER CLEAR	35	80	30	150	2.0	2.8	6	40
		GaP/GaP	568	GREEN		30	80	30	150	2.1	2.8	8	
FLPRX.X-BC-R/Y	3BCC-R/Y-F	GaAsP/GaP	625	RED	WATER CLEAR	35	80	30	150	2.0	2.8	8	40
		GaP/GaP	590	YELLOW		30	80	30	150	2.0	2.8	6	
FLPRX.X-BC-A/G	3BCC-A/G-F	GaAsP/GaP	605	AMBER	WATER CLEAR	35	80	30	150	2.0	2.8	6	40
		GaP/GaP	568	GREEN		30	80	30	150	2.1	2.8	8	
FLPRX.X-SBC	3SBCC-F	GaAlAs/GaAs	645	SUPER RED	WATER CLEAR	-	70	30	150	1.7	2.4	100	20
		GaP/GaP	568	SUPER GREEN		-	80	30	150	2.1	2.8	60	
FLPRX.X-SBC-Y/G	3SBCC-Y/G-F	InGaAlP	585	SUPER YELLOW	WATER CLEAR	-	85	20	160	2.1	2.4	15	40
		GaP/GaP	565	SUPER GREEN		-	80	20	160	2.1	2.8	5	
FLPRX.X-SBC-R/Y	3SBCC-R/Y-F	GaAlAs/GaAs	645	SUPER RED	WATER CLEAR	-	70	30	150	1.7	2.4	100	20
		AlGaInP	590	SUPER YELLOW		-	85	30	150	2.0	2.4	300	

STANDARD TOLERANCE ( UNLESS OTHERWISE SPECIFIED ) ±10% ALL VALUES		 <b>BIVAR</b> <sup>®</sup> 4 THOMAS, IRVINE, CA. 92618 TEL: (949) 951-8808 FAX: (949) 951-3974	
ANGULAR X° ± 5°		 <b>TITLE:</b> FLEXIBLE LIGHT-PIPE ASSY RIGHT ANGLE, 3mm LENS CAP W/LED	
DESIGNED: <b>David Green</b>	DATE: <b>06/09/03</b>	<b>PART NO:</b> FLPRX.X-XX	REVISION: <b>K</b>
CHECKED: <b>M. Chen</b>	DATE: <b>06/09/03</b>	<b>CAGE CODE :</b> 32559	<b>SHEET #</b> 3 <b>OF</b> 3
CAD GENERATED DOCUMENT, DO NOT MEASURE DRAWING.			

# AMEYA360

## Components Supply Platform

Authorized Distribution Brand :



Website :

Welcome to visit [www.ameya360.com](http://www.ameya360.com)

Contact Us :

➤ Address :

401 Building No.5, JiuGe Business Center, Lane 2301, Yishan Rd  
Minhang District, Shanghai , China

➤ Sales :

Direct +86 (21) 6401-6692

Email [amall@ameya360.com](mailto:amall@ameya360.com)

QQ 800077892

Skype [ameyasales1](#) [ameyasales2](#)

➤ Customer Service :

Email [service@ameya360.com](mailto:service@ameya360.com)

➤ Partnership :

Tel +86 (21) 64016692-8333

Email [mkt@ameya360.com](mailto:mkt@ameya360.com)