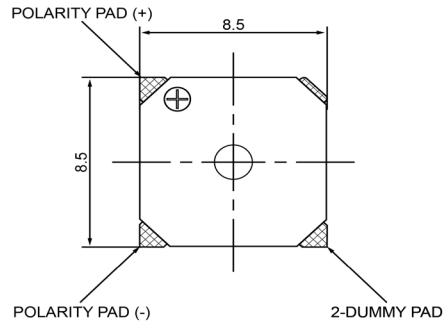
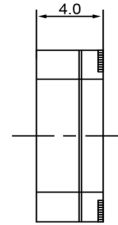


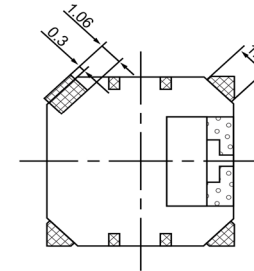
TOP VIEW





SIDE VIEW



BOTTOM VIEW



| Specifications   |                    |       | Notes  | Revision History |                           |                                      |                    |                    |                    |
|--|--------------------|-------|--|------------------|---------------------------|--------------------------------------|--------------------|--------------------|--------------------|
| Description  | Value              | Unit  |  | Version          | Description               | Date                                 | Approved           |                    |                    |
| Technology   | Electro-Mechanical |       | 1) All dimensions are in mm unless otherwise noted<br>2) All parts meet RoHS         | 1                | Released from Engineering | 10/21/2013                           | J.S                |                    |                    |
| Resonant Frequency   | 2,730              | (Hz)  |  |                  |                           |                                      |                    |                    |                    |
| Rated Voltage  | 3.6                | (V)   |  |                  |                           |                                      |                    |                    |                    |
| SPL @ 10cm   | 85                 | (dBA) |  |                  |                           |                                      |                    |                    |                    |
| Coil Resistance  | 16                 | (ohm) |  |                  |                           |                                      |                    |                    |                    |
| Mount Type   | Surface Mount      |       |  |                  |                           |                                      |                    |                    |                    |
| Voltage Range  | 2.5 ~ 4.5          | (V)   |  |                  |                           |                                      |                    |                    |                    |
| Max Rated Current  | 100                | (mA)  |  |                  |                           |                                      |                    |                    |                    |
| Housing Material   | LCP                |       |  |                  |                           |                                      |                    |                    |                    |
| Operating Temperature  | -30 ~ +70          | °C    |  |                  |                           |                                      |                    |                    |                    |
| Storage Temperature  | -40 ~ +85          | °C    |  |                  |                           |                                      |                    |                    |                    |
| Weight   | 0.6                | (g)   |  |                  |                           |                                      |                    |                    |                    |
|  |                    |       |  |                  |                           | <b>Electro-Mechanical Transducer</b> |                    | <b>TE082703-3</b>  |                    |
|  |                    |       |  |                  |                           | Drawn by<br>A.B.                     | Date<br>10/21/2013 | Checked by<br>C.E. | Date<br>10/21/2013 |

# AMEYA360

Components Supply Platform

Authorized Distribution Brand :



Website :

Welcome to visit [www.ameya360.com](http://www.ameya360.com)

Contact Us :

➤ Address :

401 Building No.5, JiuGe Business Center, Lane 2301, Yishan Rd  
Minhang District, Shanghai , China

➤ Sales :

Direct +86 (21) 6401-6692

Email [amall@ameya360.com](mailto:amall@ameya360.com)

QQ 800077892

Skype [ameyasales1](#) [ameyasales2](#)

➤ Customer Service :

Email [service@ameya360.com](mailto:service@ameya360.com)

➤ Partnership :

Tel +86 (21) 64016692-8333

Email [mkt@ameya360.com](mailto:mkt@ameya360.com)