

ebm-papst Mulfingen GmbH & Co. KG

Bachmühle 2

74673 Mulfingen

Phone: +49 7938 81-0

Fax: +49 7938 81-110

www.ebmpapst.com

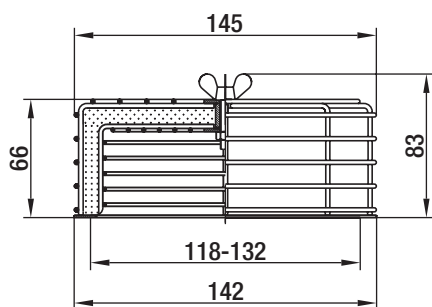
info1@de.ebmpapst.com

Technical features

General description	Viledon Filter Type R, PSB / 29 OS (in accordance with DIN 24185), separation efficiency < 86 %, efficiency < 20 %, dust binding capacity 650 g/m ²
Material	Steel wire or sheet steel, plastic-coated in RAL No. 9005, black

95777-1-5171

Product drawing



AMEYA360

Components Supply Platform

Authorized Distribution Brand :



Website :

Welcome to visit www.ameya360.com

Contact Us :

➤ Address :

401 Building No.5, JiuGe Business Center, Lane 2301, Yishan Rd
Minhang District, Shanghai , China

➤ Sales :

Direct +86 (21) 6401-6692

Email amall@ameya360.com

QQ 800077892

Skype [ameyasales1](#) [ameyasales2](#)

➤ Customer Service :

Email service@ameya360.com

➤ Partnership :

Tel +86 (21) 64016692-8333

Email mkt@ameya360.com