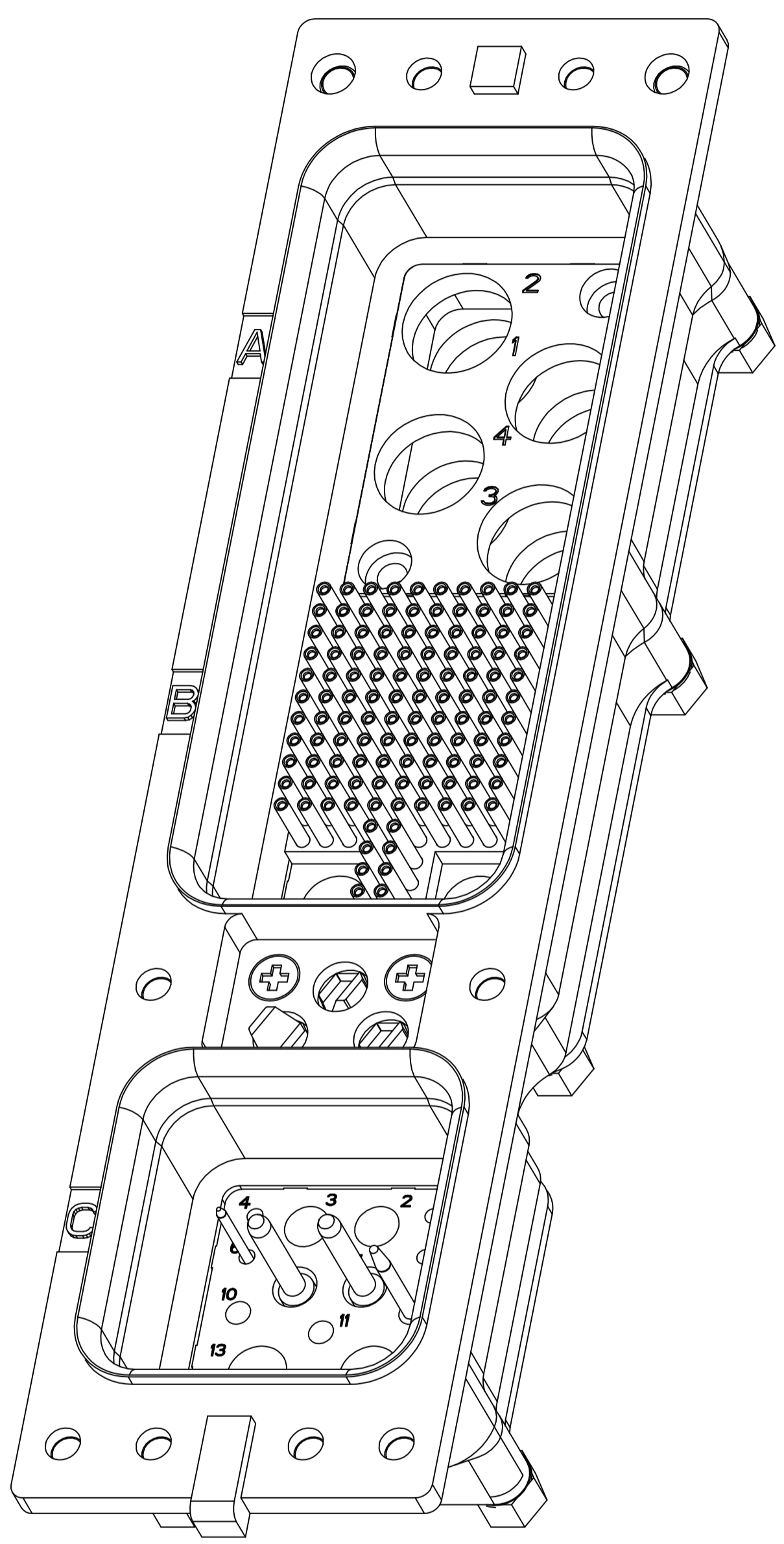


LOC		DIST		REVISIONS			
P	LTR	DESCRIPTION	DATE	DN	APVD		
E		REVISED PER ECO-10-010827	05AUG10	CT	KT		

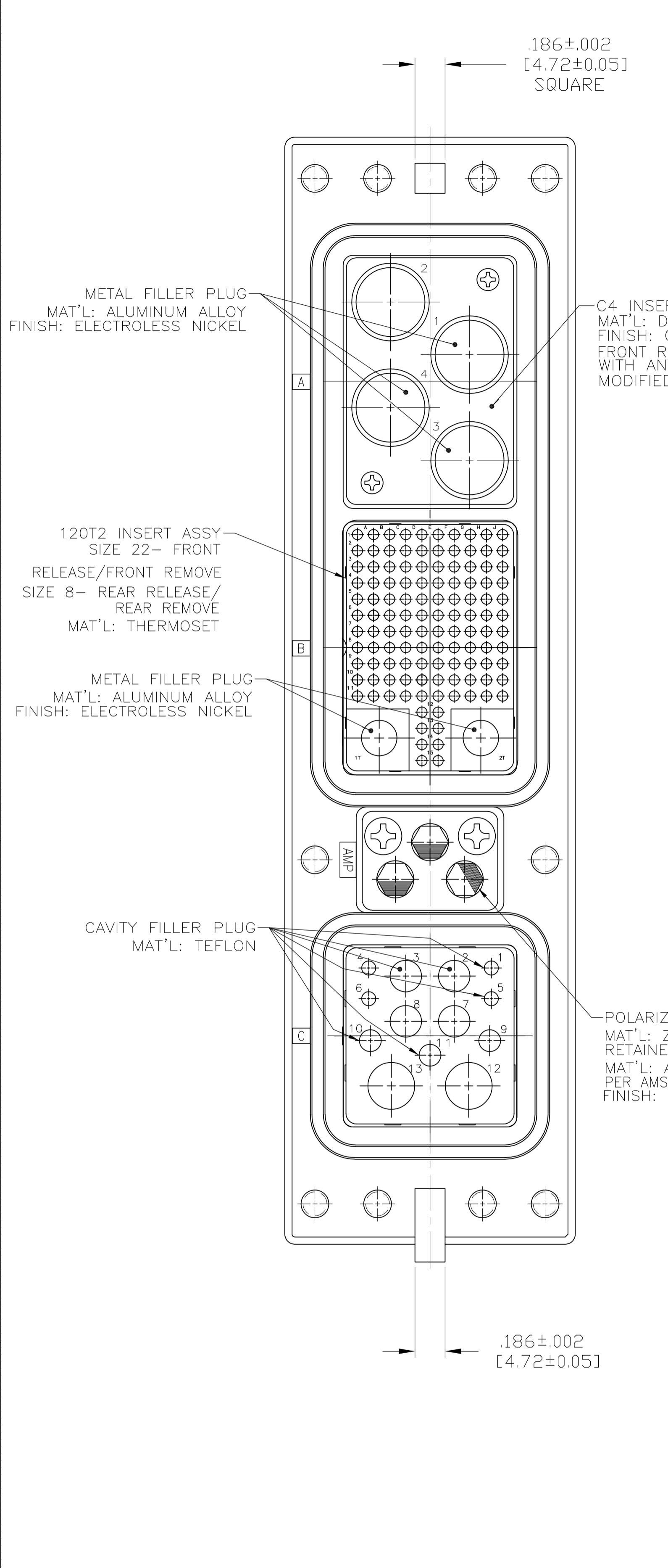


03	MODULE A 1663625-1 (SIZE 1 FILLER PLUG) (QTY=3) (#2 IS OPEN) MODULE B 211431-4 (SIZE 22 POSTED; QTY=118) 1663588-1 (SIZE 8 FILLER PLUG) (QTY=2) MODULE C 1663533-5 (SIZE 20 POSTED; QTY=2) (CAVITIES #4 & #6) 1-1663128-0 (SIZE 16 POSTED; QTY=1) (CAVITY #9) 1663129-8 (SIZE 12 POSTED; QTY=2) (CAVITIES #7 & #8) 1663767-6 (FILLER PLUG, SIZE 20) (QTY=2) (CAVITIES #1 & #5) 1663767-7 (FILLER PLUG, SIZE 16) (QTY=2) (CAVITIES #10 & #11) 1663767-8 (FILLER PLUG, SIZE 12) (QTY=2) (CAVITIES #2 & #3)	1663471-1
	KEYING POSITION INSTALLED CONTACTS AND FILLER PLUG POSITIONS	PART NUMBER

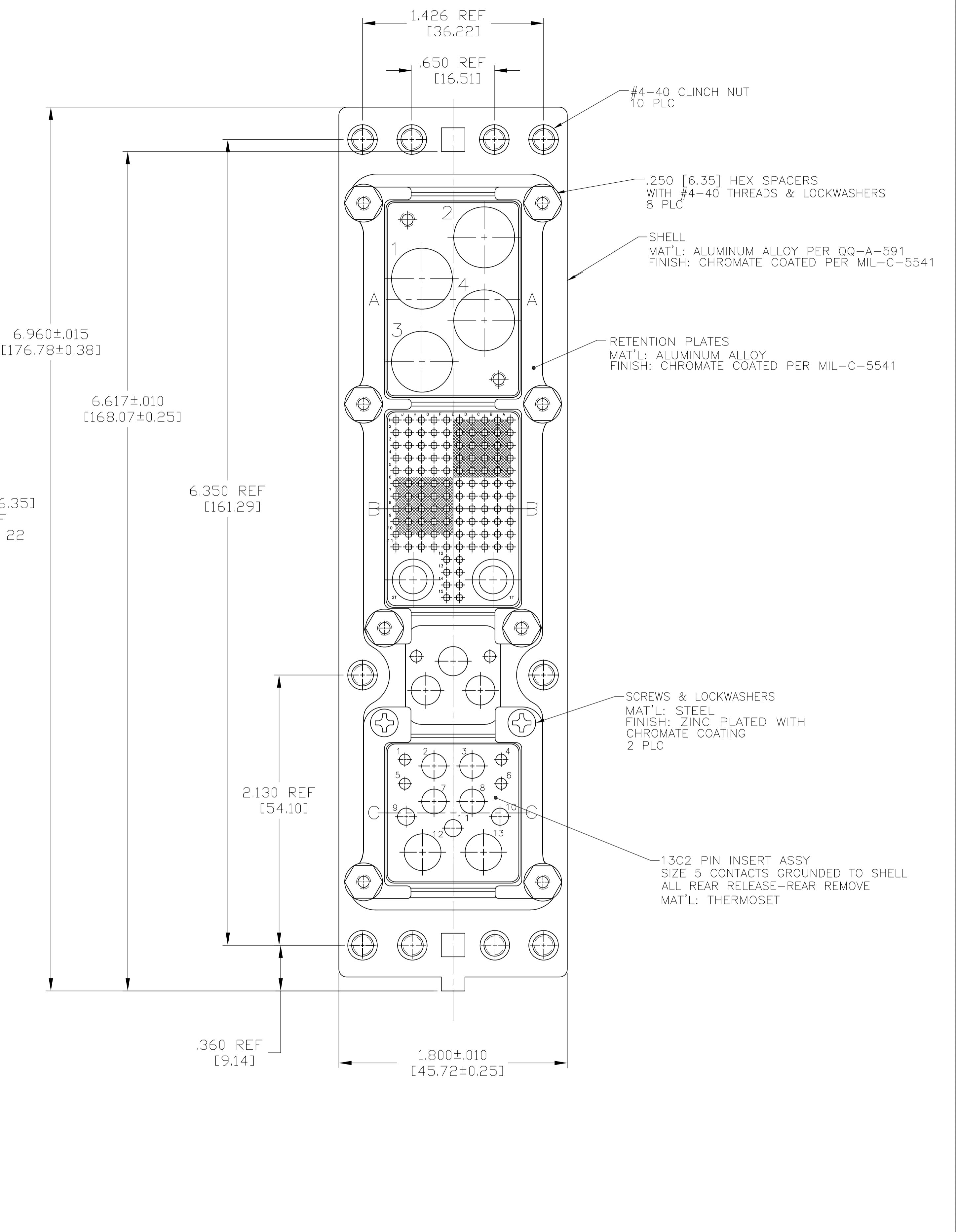
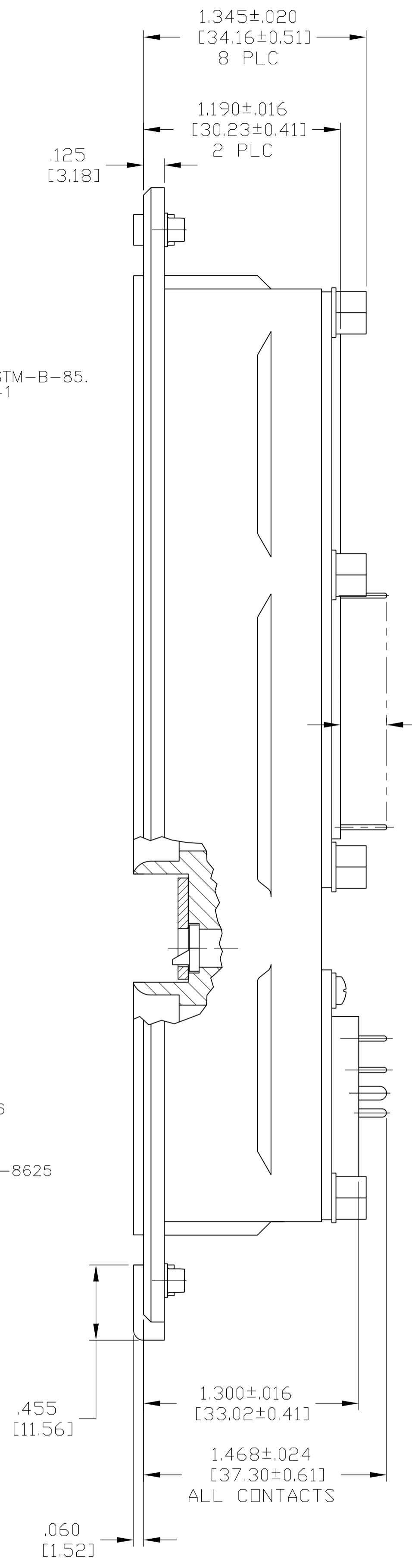
- CONNECTOR DIMENSIONS ARE PER ARINC 600 SPECIFICATION.
- CONNECTOR IS SUPPLIED WITH CONTACTS & FILLER PLUGS (PER TABLE) ASSEMBLED AS SHOWN.
- CONNECTOR IS SUPPLIED WITH A DUST COVER INSTALLED (NOT SHOWN).
- CONTACTS NOT SHOWN IN FRONT & REAR VIEWS FOR CLARITY.
- DIMENSION TO CONTACT POST IS WITH CONTACTS FULLY SEATED TO REAR OF CONTACT CAVITIES.
- KEYING SHOWN IN POSITION FOR REFERENCE ONLY. SEE TABLE FOR KEYING POSITION PER DRAWING 204014. FOR POSITION "00" KEYING SHIPPED UNASSEMBLED.

THIS DRAWING IS A CONTROLLED DOCUMENT.		DWN C.C.THOMAS 8-1-03 CHK S.GLATFELTER 8-1-03 APVD S.GLATFELTER 8-1-03 PRODUCT SPEC APPLICATION SPEC	Tyco Electronics Corporation Harrisburg, PA 17105-3608 Tyco Electronics RECEPTACLE ASSY, SIZE 2, ARINC 600 (C4/120T2/13C2)
DIMENSIONS: INCHES [mm]	TOLERANCES UNLESS OTHERWISE SPECIFIED: 0. PLC ± - 1. PLC ± - 2. PLC ± - 3. PLC ± .005 [0.13] 4. PLC ± - ANGLES ± -	SIZE A1 CAGE CODE 00779 DRAWING NO. 1663471 WEIGHT - CUSTOMER DRAWING	RESTRICTED TO SCALE 2:1 SHEET 1 OF 2 REV E

LOC		DIST		REVISIONS			
P	LTR	DESCRIPTION	DATE	DNW	APVD		
-	-	SEE SHEET #1	-	-	-	KT	



C4 INSERT  
MAT'L: DIE CAST ALUMINUM PER ASTM-B-85.  
FINISH: CHROMATE PER MIL-C-5541  
FRONT RELEASE/FRONT REMOVE  
WITH ANTI-ROTATION FEATURE FOR  
MODIFIED SIZE 1 PIN CONTACTS



THIS DRAWING IS A CONTROLLED DOCUMENT.		DNW C.C.THOMAS 8-1-03	Tyco Electronics Tyco Electronics Corporation Harrisburg, PA 17105-3608																		
DIMENSIONS: INCHES [mm]		CHK S.GLATFELTER 8-1-03																			
TOLERANCES UNLESS OTHERWISE SPECIFIED:		APVD S.GLATFELTER 8-1-03	NAME RECEPTACLE ASSY, SIZE 2, ARINC 600 (C4/120T2/13C2)																		
<table border="1"> <tr><td>0 PLC</td><td>±</td><td>-</td></tr> <tr><td>1 PLC</td><td>±</td><td>-</td></tr> <tr><td>2 PLC</td><td>±</td><td>-</td></tr> <tr><td>3 PLC</td><td>±</td><td>.005 [0.13]</td></tr> <tr><td>4 PLC</td><td>±</td><td>-</td></tr> <tr><td>ANGLES</td><td>±</td><td>-</td></tr> </table>		0 PLC	±	-	1 PLC	±	-	2 PLC	±	-	3 PLC	±	.005 [0.13]	4 PLC	±	-	ANGLES	±	-	PRODUCT SPEC	APPLICATION SPEC
0 PLC	±	-																			
1 PLC	±	-																			
2 PLC	±	-																			
3 PLC	±	.005 [0.13]																			
4 PLC	±	-																			
ANGLES	±	-																			
MATERIAL SEE CALLOUTS	FINISH SEE CALLOUTS	WEIGHT	RESTRICTED TO																		
CUSTOMER DRAWING		SIZE A1	SCALE 2:1																		
		CAGE CODE 00779	DRAWING NO 1663471																		
		SHEET 2	REV E																		

# AMEYA360

Components Supply Platform

Authorized Distribution Brand :



Website :

Welcome to visit [www.ameya360.com](http://www.ameya360.com)

Contact Us :

> Address :

401 Building No.5, JiuGe Business Center, Lane 2301, Yishan Rd  
Minhang District, Shanghai , China

> Sales :

Direct +86 (21) 6401-6692

Email [amall@ameya360.com](mailto:amall@ameya360.com)

QQ 800077892

Skype ameyasales1 ameyasales2

> Customer Service :

Email [service@ameya360.com](mailto:service@ameya360.com)

> Partnership :

Tel +86 (21) 64016692-8333

Email [mkt@ameya360.com](mailto:mkt@ameya360.com)