

Fault Protected, Extended Common Mode Range, RS-485/RS-422 Transceivers

ISL31470E, ISL31472E, ISL31475E, ISL31478E

The ISL31470E, ISL31472E, ISL31475E, ISL31478E are fault protected, extended common mode range differential transceivers that exceed the RS-485 and RS-422 standards for balanced communication. The RS-485 bus pins (driver outputs and receiver inputs) are protected against overvoltages up to $\pm 60V$. Additionally, these transceivers operate in environments with common mode voltages up to $\pm 15V$ (exceeds the RS-485 requirement), making this RS-485 family one of the more robust on the market.

Transmitters deliver an exceptional 2.5V (typical) differential output voltage into the RS-485 specified 54 Ω load. This yields better noise immunity than standard RS-485 ICs, or allows up to six 120 Ω terminations in star topologies.

Receiver (Rx) inputs feature a "Full Fail-Safe" design which ensures a logic high Rx output if Rx inputs are floating, shorted, or on a terminated but undriven (idle) bus. Rx outputs feature high drive levels - typically 15mA @ $V_{OL} = 1V$ (to ease the design of opto-coupled isolated interfaces).

Half duplex (Rx inputs and Tx outputs multiplexed together) and full duplex pinouts are available. See Table 1 on page 2 for key features and configurations by device number.

For an RS-485 family with a $\pm 25V$ extended common mode range, please see the [ISL31490E](#) and [ISL31480E](#) data sheets.

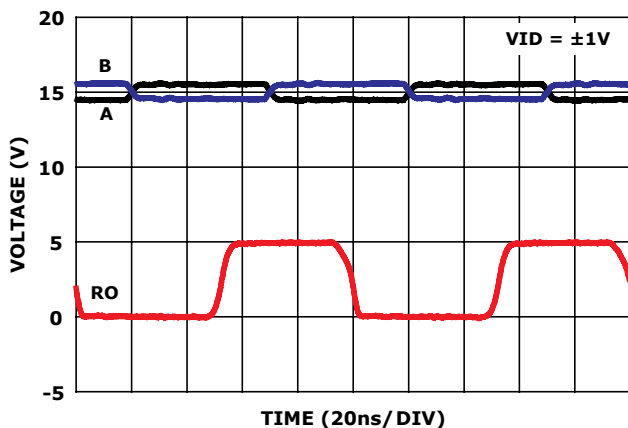
Features

- Fault Protected RS-485 Bus Pins. up to $\pm 60V$
- Extended Common Mode Range $\pm 15V$
Larger Than Required for RS-485
- 1/4 Unit Load for up to 128 Devices on the Bus
- High Transient Over Voltage Tolerance $\pm 80V$
- Full Fail-safe (Open, Short, Terminated) RS-485 Receivers
- High Rx I_{OL} for Opto-Couplers in Isolated Designs
- Hot Plug Circuitry - Tx and Rx Outputs Remain Three-State During Power-up/Power-down
- Choice of RS-485 Data Rates 250kbps to 15Mbps
- Low Quiescent Supply Current 2.3mA
Ultra Low Shutdown Supply Current 10 μA
- Pb-Free (RoHS Compliant)

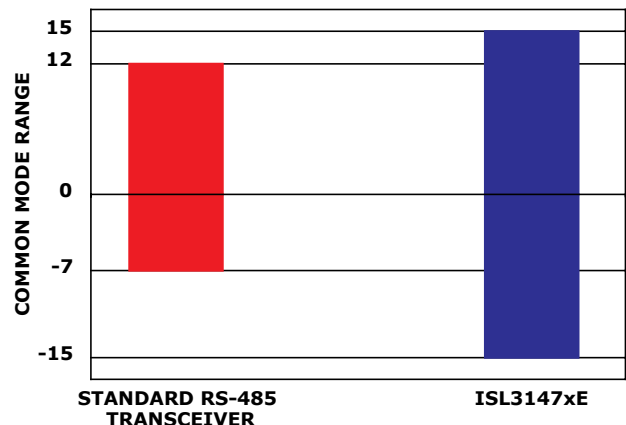
Applications

- Utility Meters/Automated Meter Reading Systems
- High Node Count Systems
- PROFIBUS™ and Field Bus Networks, and Factory Automation
- Security Camera Networks
- Building Lighting and Environmental Control Systems
- Industrial/Process Control Networks

Exceptional Rx Operates at >15Mbps Even with $\pm 15V$ Common Mode Voltage



Transceivers Deliver Superior Common Mode Range vs Standard RS-485 Devices



ISL31470E, ISL31472E, ISL31475E, ISL31478E

ISL31470E, ISL31472E, ISL31475E, ISL31478E

TABLE 1. SUMMARY OF FEATURES

| PART NUMBER | HALF/FULL DUPLEX | DATA RATE (Mbps) | SLEW-RATE LIMITED? | EN PINS? | HOT PLUG? | QUIESCENT I _{CC} (mA) | LOW POWER SHDN? | PIN COUNT |
|-------------|------------------|------------------|--------------------|----------|-----------|--------------------------------|-----------------|-----------|
| ISL31470E | Full | 0.25 | Yes | Yes | Yes | 2.3 | Yes | 14 |
| ISL31472E | Half | 0.25 | Yes | Yes | Yes | 2.3 | Yes | 8 |
| ISL31475E | Half | 1 | Yes | Yes | Yes | 2.3 | Yes | 8 |
| ISL31478E | Half | 15 | No | Yes | Yes | 2.3 | Yes | 8 |

Ordering Information

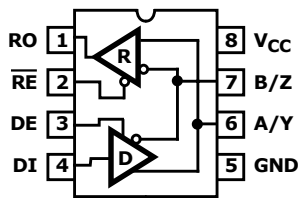
| PART NUMBER (Note 3) | PART MARKING | TEMP. RANGE (°C) | PACKAGE (Pb-Free) | PKG. DWG. # |
|-----------------------|---------------|------------------|-------------------|-------------|
| ISL31470EIBZ (Note 1) | ISL31470 EIBZ | -40 to +85 | 14 Ld SOIC | M14.15 |
| ISL31472EIBZ (Note 1) | 31472 EIBZ | -40 to +85 | 8 Ld SOIC | M8.15 |
| ISL31472EIPZ (Note 2) | 31472 EIPZ | -40 to +85 | 8 Ld PDIP | E8.3 |
| ISL31475EIBZ (Note 1) | 31475 EIBZ | -40 to +85 | 8 Ld SOIC | M8.15 |
| ISL31478EIBZ (Note 1) | 31478 EIBZ | -40 to +85 | 8 Ld SOIC | M8.15 |

NOTES:

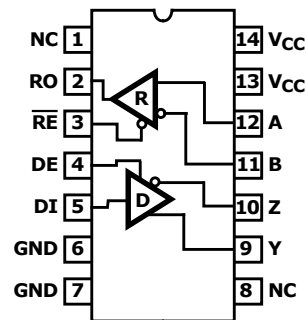
1. Add "-T" suffix for tape and reel. Please refer to [TB347](#) for details on reel specifications.
2. Pb-free PDIPs can be used for through-hole wave solder processing only. They are not intended for use in Reflow solder processing applications.
3. These Intersil Pb-free plastic packaged products employ special Pb-free material sets, molding compounds/die attach materials, and 100% matte tin plate plus anneal (e3 termination finish, which is RoHS compliant and compatible with both SnPb and Pb-free soldering operations). Intersil Pb-free products are MSL classified at Pb-free peak reflow temperatures that meet or exceed the Pb-free requirements of IPC/JEDEC J STD-020.
4. For Moisture Sensitivity Level (MSL), please see device information pages for [ISL31470E](#), [ISL31472E](#), [ISL31475E](#), [ISL31478E](#). For more information on MSL please see techbrief [TB363](#).

Pin Configurations

ISL31472E, ISL31475E, ISL31478E
(8 LD SOIC, 8 LD PDIP)
TOP VIEW



ISL31470E
(14 LD SOIC)
TOP VIEW



Truth Tables

| TRANSMITTING | | | | |
|-----------------|----|----|---------|---------|
| INPUTS | | | OUTPUTS | |
| \overline{RE} | DE | DI | Z | Y |
| X | 1 | 1 | 0 | 1 |
| X | 1 | 0 | 1 | 0 |
| 0 | 0 | X | High-Z | High-Z |
| 1 | 0 | X | High-Z* | High-Z* |

NOTE: *Low Power Shutdown Mode (see Note 13, page 9).

| RECEIVING | | | | |
|-----------------|-------------------|-------------------|------------------------|---------|
| INPUTS | | | | OUTPUT |
| \overline{RE} | DE Half Duplex | DE Full Duplex | A-B | RO |
| 0 | 0 | X | $\geq -0.01V$ | 1 |
| 0 | 0 | X | $\leq -0.2V$ | 0 |
| 0 | 0 | X | Inputs Open/Shorted | 1 |
| 1 | 0 | 0 | X | High-Z* |
| 1 | 1 | 1 | X | High-Z |

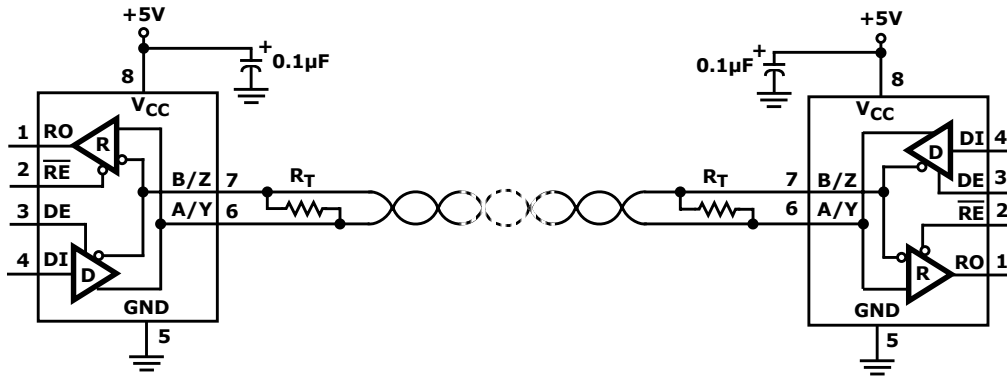
NOTE: *Low Power Shutdown Mode (see Note 13, page 9).

Pin Descriptions

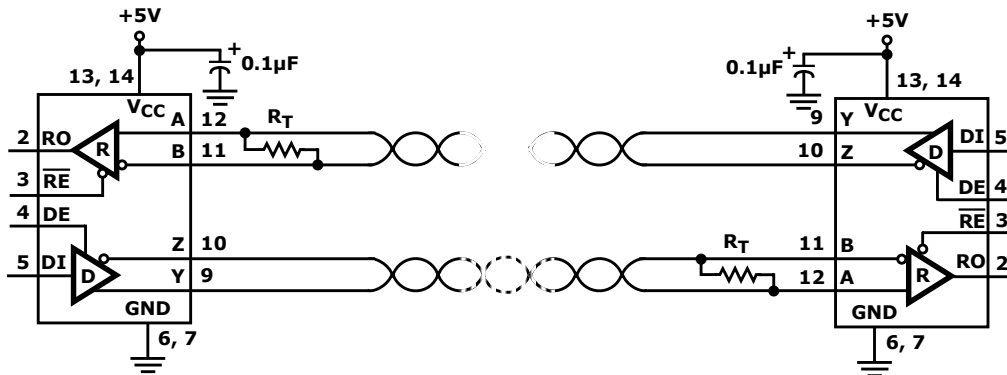
| PIN NAME | 8 LD PIN # | 14 LD PIN # | FUNCTION |
|-----------------|------------|-------------|--|
| RO | 1 | 2 | Receiver output: If A-B $\geq -10mV$, RO is high; If A-B $\leq -200mV$, RO is low; RO = High if A and B are unconnected (floating), shorted together, or connected to an undriven, terminated bus. |
| \overline{RE} | 2 | 3 | Receiver output enable. RO is enabled when \overline{RE} is low; RO is high impedance when \overline{RE} is high. Internally pulled low. |
| DE | 3 | 4 | Driver output enable. The driver outputs, Y and Z, are enabled by bringing DE high. They are high impedance when DE is low. Internally pulled high. |
| DI | 4 | 5 | Driver input. A low on DI forces output Y low and output Z high. Similarly, a high on DI forces output Y high and output Z low. |
| GND | 5 | 6, 7 | Ground connection. |
| A/Y | 6 | - | $\pm 60V$ Fault Protected, RS-485/RS-422 level, non-inverting receiver input and non-inverting driver output. Pin is an input if DE = 0; pin is an output if DE = 1. |
| B/Z | 7 | - | $\pm 60V$ Fault Protected, RS-485/RS-422 level, inverting receiver input and inverting driver output. Pin is an input if DE = 0; pin is an output if DE = 1. |
| A | - | 12 | $\pm 60V$ Fault Protected, RS-485/RS-422 level, non-inverting receiver input. |
| B | - | 11 | $\pm 60V$ Fault Protected, RS-485/RS-422 level, inverting receiver input. |
| Y | - | 9 | $\pm 60V$ Fault Protected, RS-485/RS-422 level, non-inverting driver output. |
| Z | - | 10 | $\pm 60V$ Fault Protected, RS-485/RS-422 level, inverting driver output. |
| V _{CC} | 8 | 13, 14 | System power supply input (4.5V to 5.5V). |
| NC | - | 1, 8 | No Internal Connection. |

Typical Operating Circuits

ISL31472E, ISL31475E, ISL31478E



ISL31470E



ISL31470E, ISL31472E, ISL31475E, ISL31478E

Absolute Maximum Ratings

| | |
|---|-----------------------------------|
| V _{CC} to Ground | 7V |
| Input Voltages | |
| DI, DE, RE | -0.3V to (V _{CC} + 0.3V) |
| Input/Output Voltages | |
| A/Y, B/Z, A, B, Y, Z | ±60V |
| A/Y, B/Z, A, B, Y, Z (Transient Pulse Through 100Ω, Note 17) | ±80V |
| RO | -0.3V to (V _{CC} + 0.3V) |
| Short Circuit Duration | |
| Y, Z | Indefinite |
| ESD Rating | see Specification Table |
| Latch-up (per JEDEC78, Level 2, Class A) | +125°C |

Thermal Information

| | | |
|---------------------------------|------------------------|------------------------|
| Thermal Resistance (Typical) | θ _{JA} (°C/W) | θ _{JC} (°C/W) |
| 8 Ld PDIP* Package (Notes 5, 7) | 105 | 60 |
| 8 Ld SOIC Package (Notes 6, 7) | 116 | 47 |
| 14 Ld SOIC Package (Notes 6, 7) | 88 | 39 |

Maximum Junction Temperature (Plastic Package) +150°C
 Maximum Storage Temperature Range -65°C to +150°C
 Pb-free Reflow Profilesee link below
<http://www.intersil.com/pbfree/Pb-FreeReflow.asp>

*Pb-free PDIPs can be used for through-hole wave solder processing only. They are not intended for use in Reflow solder processing applications.

Recommended Operating Conditions

| | |
|-----------------------------------|----------------|
| Supply Voltage (V _{CC}) | 5V |
| Temperature Range | -40°C to +85°C |
| Bus Pin Common Mode Voltage Range | -15V to +15V |

CAUTION: Do not operate at or near the maximum ratings listed for extended periods of time. Exposure to such conditions may adversely impact product reliability and result in failures not covered by warranty.

NOTES:

- θ_{JA} is measured with the component mounted on a low effective thermal conductivity test board in free air.
- θ_{JA} is measured with the component mounted on a high effective thermal conductivity test board in free air. See Tech Brief TB379 for details.
- For θ_{JC}, the "case temp" location is taken at the package top center.

Electrical Specifications Test Conditions: V_{CC} = 4.5V to 5.5V; Unless Otherwise Specified. Typicals are at V_{CC} = 5V, T_A = +25°C (Note 8). **Boldface limits apply over the operating temperature range, -40°C to +85°C.**

| PARAMETER | SYMBOL | TEST CONDITIONS | TEMP (°C) | MIN (Note 16) | TYP | MAX (Note 16) | UNITS |
|---|-------------------|---|-----------|---------------|-----|-----------------------|-------|
| DC CHARACTERISTICS | | | | | | | |
| Driver Differential V _{OUT} (No load) | V _{OD1} | | Full | - | - | V_{CC} | V |
| Driver Differential V _{OUT} (Loaded, Figure 1A) | V _{OD2} | R _L = 100Ω (RS-422) | Full | 2.4 | 3.2 | - | V |
| | | R _L = 54Ω (RS-485) | Full | 1.5 | 2.5 | V_{CC} | V |
| | | R _L = 54Ω (PROFIBUS, V _{CC} ≥ 5V) | Full | 2.0 | 2.5 | - | |
| | | R _L = 21Ω (Six 120Ω terminations for Star Configurations, V _{CC} ≥ 4.75V) | Full | 0.8 | 1.3 | - | V |
| Change in Magnitude of Driver Differential V _{OUT} for Complementary Output States | ΔV _{OD} | R _L = 54Ω or 100Ω (Figure 1A) | Full | - | - | 0.2 | V |
| Driver Differential V _{OUT} with Common Mode Load (Figure 1B) | V _{OD3} | R _L = 60Ω, -7V ≤ V _{CM} ≤ 12V | Full | 1.5 | 2.1 | V_{CC} | V |
| | | R _L = 60Ω, -15V ≤ V _{CM} ≤ 15V (V _{CC} ≥ 4.75V) | Full | 1.7 | 2.3 | - | v |
| Driver Common-Mode V _{OUT} (Figure 1A) | V _{OC} | R _L = 54Ω or 100Ω | Full | -1 | - | 3 | V |
| Change in Magnitude of Driver Common-Mode V _{OUT} for Complementary Output States | ΔV _{OC} | R _L = 54Ω or 100Ω (Figure 1A) | Full | - | - | 0.2 | V |
| Driver Short-Circuit Current | I _{OSD} | DE = V _{CC} , -15V ≤ V _O ≤ 15V (Note 10) | Full | -250 | - | 250 | mA |
| | I _{OSD1} | At First Fold-back, 22V ≤ V _O ≤ -22V | Full | -83 | - | 83 | mA |
| | I _{OSD2} | At Second Fold-back, 35V ≤ V _O ≤ -35V | Full | -13 | - | 13 | mA |

ISL31470E, ISL31472E, ISL31475E, ISL31478E

Electrical Specifications Test Conditions: $V_{CC} = 4.5V$ to $5.5V$; Unless Otherwise Specified. Typicals are at $V_{CC} = 5V$, $T_A = +25^\circ C$ (Note 8). **Boldface limits apply over the operating temperature range, $-40^\circ C$ to $+85^\circ C$.** (Continued)

| PARAMETER | SYMBOL | TEST CONDITIONS | TEMP (°C) | MIN (Note 16) | TYP | MAX (Note 16) | UNITS | |
|---|-----------------------|--|------------------------------|----------------------------------|-------------|-----------------------------|------------|---------|
| Logic Input High Voltage | V_{IH} | DE, DI, \overline{RE} | Full | 2.5 | - | - | V | |
| Logic Input Low Voltage | V_{IL} | DE, DI, \overline{RE} | Full | - | - | 0.8 | V | |
| Logic Input Current | I_{IN1} | DI | Full | -1 | - | 1 | μA | |
| | | DE, \overline{RE} | Full | -15 | 6 | 15 | μA | |
| Input/Output Current (A/Y, B/Z) | I_{IN2} | DE = 0V, $V_{CC} = 0V$ or $5.5V$ | $V_{IN} = 12V$ | Full | - | 110 | 250 | μA |
| | | | $V_{IN} = -7V$ | Full | -200 | -75 | - | μA |
| | | | $V_{IN} = \pm 15V$ | Full | -800 | ± 240 | 800 | μA |
| | | | $V_{IN} = \pm 60V$ (Note 18) | Full | -6 | ± 0.5 | 6 | mA |
| Input Current (A, B) (Full Duplex Versions Only) | I_{IN3} | $V_{CC} = 0V$ or $5.5V$ | $V_{IN} = 12V$ | Full | - | 90 | 125 | μA |
| | | | $V_{IN} = -7V$ | Full | -100 | -70 | - | μA |
| | | | $V_{IN} = \pm 15V$ | Full | -500 | ± 200 | 500 | μA |
| | | | $V_{IN} = \pm 60V$ (Note 18) | Full | -3 | ± 0.4 | 3 | mA |
| Output Leakage Current (Y, Z) (Full Duplex Versions Only) | I_{OZD} | $\overline{RE} = 0V$, DE = 0V, $V_{CC} = 0V$ or $5.5V$ | $V_{IN} = 12V$ | Full | - | 20 | 200 | μA |
| | | | $V_{IN} = -7V$ | Full | -100 | -5 | - | μA |
| | | | $V_{IN} = \pm 15V$ | Full | -500 | ± 40 | 500 | μA |
| | | | $V_{IN} = \pm 60V$ (Note 18) | Full | -3 | ± 0.1 | 3 | mA |
| Receiver Differential Threshold Voltage | V_{TH} | $-15V \leq V_{CM} \leq 15V$ | Full | -200 | -100 | -10 | mV | |
| Receiver Input Hysteresis | ΔV_{TH} | $-15V \leq V_{CM} \leq 15V$ | +25 | - | 25 | - | mV | |
| Receiver Output High Voltage | V_{OH} | $I_O = -2mA$, $V_{ID} = -10mV$ | Full | $V_{CC} - 0.5$ | 4.75 | - | V | |
| | | $I_O = -8mA$, $V_{ID} = -10mV$ | Full | 2.8 | 4.2 | - | V | |
| Receiver Output Low Voltage | V_{OL} | $I_O = 6mA$, $V_{ID} = -200mV$ | Full | - | 0.27 | 0.4 | V | |
| Receiver Output Low Current | I_{OL} | $V_O = 1V$, $V_{ID} = -200mV$ | Full | 15 | 22 | - | mA | |
| Three-State (High Impedance) Receiver Output Current | I_{OZR} | $0V \leq V_O \leq V_{CC}$ | Full | -1 | 0.01 | 1 | μA | |
| Receiver Short-Circuit Current | I_{OSR} | $0V \leq V_O \leq V_{CC}$ | Full | ± 12 | - | ± 110 | mA | |
| SUPPLY CURRENT | | | | | | | | |
| No-Load Supply Current (Note 9) | I_{CC} | DE = V_{CC} , $\overline{RE} = 0V$ or V_{CC} , DI = 0V or V_{CC} | Full | - | 2.3 | 4.5 | mA | |
| Shutdown Supply Current | I_{SHDN} | DE = 0V, $\overline{RE} = V_{CC}$, DI = 0V or V_{CC} | Full | - | 10 | 50 | μA | |
| ESD PERFORMANCE | | | | | | | | |
| All Pins | | Human Body Model (Tested per JESD22-A114E) | +25 | - | ± 2 | - | kV | |
| | | Machine Model (Tested per JESD22-A115-A) | +25 | - | ± 700 | - | V | |
| DRIVER SWITCHING CHARACTERISTICS (250kbps Versions; ISL31470E and ISL31472E) | | | | | | | | |
| Driver Differential Output Delay | t_{PLH} , t_{PHL} | $R_D = 54\Omega$, $C_D = 50pF$ (Figure 2) | Full | - | 320 | 450 | ns | |
| Driver Differential Output Skew | t_{SKEW} | $R_D = 54\Omega$, $C_D = 50pF$ (Figure 2) | Full | - | 6 | 30 | ns | |

ISL31470E, ISL31472E, ISL31475E, ISL31478E

Electrical Specifications Test Conditions: $V_{CC} = 4.5V$ to $5.5V$; Unless Otherwise Specified. Typicals are at $V_{CC} = 5V$, $T_A = +25^\circ C$ (Note 8). **Boldface limits apply over the operating temperature range, $-40^\circ C$ to $+85^\circ C$.** (Continued)

| PARAMETER | SYMBOL | TEST CONDITIONS | TEMP (°C) | MIN (Note 16) | TYP | MAX (Note 16) | UNITS |
|--|--------------------|--|-----------|---------------|-----|---------------|-------|
| Driver Differential Rise or Fall Time | t_R, t_F | $R_D = 54\Omega, C_D = 50pF$ (Figure 2) | Full | 400 | 650 | 1200 | ns |
| Maximum Data Rate | f_{MAX} | $C_D = 820pF$ (Figure 4) | Full | 0.25 | 1.5 | - | Mbps |
| Driver Enable to Output High | t_{ZH} | SW = GND (Figure 3), (Note 11) | Full | - | - | 1200 | ns |
| Driver Enable to Output Low | t_{ZL} | SW = V_{CC} (Figure 3), (Note 11) | Full | - | - | 1200 | ns |
| Driver Disable from Output Low | t_{LZ} | SW = V_{CC} (Figure 3) | Full | - | - | 120 | ns |
| Driver Disable from Output High | t_{HZ} | SW = GND (Figure 3) | Full | - | - | 120 | ns |
| Time to Shutdown | t_{SHDN} | (Note 13) | Full | 60 | 160 | 600 | ns |
| Driver Enable from Shutdown to Output High | $t_{ZH(SHDN)}$ | SW = GND (Figure 3), (Notes 13, 14) | Full | - | - | 2500 | ns |
| Driver Enable from Shutdown to Output Low | $t_{ZL(SHDN)}$ | SW = V_{CC} (Figure 3), (Notes 13, 14) | Full | - | - | 2500 | ns |
| DRIVER SWITCHING CHARACTERISTICS (1Mbps Versions; ISL31475E) | | | | | | | |
| Driver Differential Output Delay | t_{PLH}, t_{PHL} | $R_D = 54\Omega, C_D = 50pF$ (Figure 2) | Full | - | 70 | 125 | ns |
| Driver Differential Output Skew | t_{SKEW} | $R_D = 54\Omega, C_D = 50pF$ (Figure 2) | Full | - | 3 | 15 | ns |
| Driver Differential Rise or Fall Time | t_R, t_F | $R_D = 54\Omega, C_D = 50pF$ (Figure 2) | Full | 70 | 230 | 300 | ns |
| Maximum Data Rate | f_{MAX} | $C_D = 820pF$ (Figure 4) | Full | 1 | 4 | - | Mbps |
| Driver Enable to Output High | t_{ZH} | SW = GND (Figure 3), (Note 11) | Full | - | - | 350 | ns |
| Driver Enable to Output Low | t_{ZL} | SW = V_{CC} (Figure 3), (Note 11) | Full | - | - | 300 | ns |
| Driver Disable from Output Low | t_{LZ} | SW = V_{CC} (Figure 3) | Full | - | - | 120 | ns |
| Driver Disable from Output High | t_{HZ} | SW = GND (Figure 3) | Full | - | - | 120 | ns |
| Time to Shutdown | t_{SHDN} | (Note 13) | Full | 60 | 160 | 600 | ns |
| Driver Enable from Shutdown to Output High | $t_{ZH(SHDN)}$ | SW = GND (Figure 3), (Notes 13, 14) | Full | - | - | 2000 | ns |
| Driver Enable from Shutdown to Output Low | $t_{ZL(SHDN)}$ | SW = V_{CC} (Figure 3), (Notes 13, 14) | Full | - | - | 2000 | ns |
| DRIVER SWITCHING CHARACTERISTICS (15Mbps Versions; ISL31478E) | | | | | | | |
| Driver Differential Output Delay | t_{PLH}, t_{PHL} | $R_D = 54\Omega, C_D = 50pF$ (Figure 2) | Full | - | 21 | 45 | ns |
| Driver Differential Output Skew | t_{SKEW} | $R_D = 54\Omega, C_D = 50pF$ (Figure 2) | Full | - | 3 | 6 | ns |
| Driver Differential Rise or Fall Time | t_R, t_F | $R_D = 54\Omega, C_D = 50pF$ (Figure 2) | Full | 5 | 17 | 30 | ns |
| Maximum Data Rate | f_{MAX} | $C_D = 470pF$ (Figure 4) | Full | 15 | 25 | - | Mbps |
| Driver Enable to Output High | t_{ZH} | SW = GND (Figure 3), (Note 11) | Full | - | - | 100 | ns |
| Driver Enable to Output Low | t_{ZL} | SW = V_{CC} (Figure 3), (Note 11) | Full | - | - | 100 | ns |
| Driver Disable from Output Low | t_{LZ} | SW = V_{CC} (Figure 3) | Full | - | - | 120 | ns |

ISL31470E, ISL31472E, ISL31475E, ISL31478E

Electrical Specifications Test Conditions: $V_{CC} = 4.5V$ to $5.5V$; Unless Otherwise Specified. Typicals are at $V_{CC} = 5V$, $T_A = +25^{\circ}C$ (Note 8). **Boldface limits apply over the operating temperature range, $-40^{\circ}C$ to $+85^{\circ}C$.** (Continued)

| PARAMETER | SYMBOL | TEST CONDITIONS | TEMP (°C) | MIN (Note 16) | TYP | MAX (Note 16) | UNITS |
|---|--------------------|--|-----------|---------------|-----|---------------|-------|
| Driver Disable from Output High | t_{HZ} | SW = GND (Figure 3) | Full | - | - | 120 | ns |
| Time to Shutdown | t_{SHDN} | (Note 13) | Full | 60 | 160 | 600 | ns |
| Driver Enable from Shutdown to Output High | $t_{ZH}(SHDN)$ | SW = GND (Figure 3), (Notes 13, 14) | Full | - | - | 2000 | ns |
| Driver Enable from Shutdown to Output Low | $t_{ZL}(SHDN)$ | SW = V_{CC} (Figure 3), (Notes 13, 14) | Full | - | - | 2000 | ns |
| RECEIVER SWITCHING CHARACTERISTICS (250kbps Versions; ISL31470E and ISL31472E) | | | | | | | |
| Maximum Data Rate | f_{MAX} | (Figure 5) | Full | 0.25 | 5 | - | Mbps |
| Receiver Input to Output Delay | t_{PLH}, t_{PHL} | (Figure 5) | Full | - | 200 | 280 | ns |
| Receiver Skew $ t_{PLH} - t_{PHL} $ | t_{SKD} | (Figure 5) | Full | - | 4 | 10 | ns |
| Receiver Enable to Output Low | t_{ZL} | $R_L = 1k\Omega$, $C_L = 15pF$, SW = V_{CC} (Figure 6), (Note 12) | Full | - | - | 50 | ns |
| Receiver Enable to Output High | t_{ZH} | $R_L = 1k\Omega$, $C_L = 15pF$, SW = GND (Figure 6), (Note 12) | Full | - | - | 50 | ns |
| Receiver Disable from Output Low | t_{LZ} | $R_L = 1k\Omega$, $C_L = 15pF$, SW = V_{CC} (Figure 6) | Full | - | - | 50 | ns |
| Receiver Disable from Output High | t_{HZ} | $R_L = 1k\Omega$, $C_L = 15pF$, SW = GND (Figure 6) | Full | - | - | 50 | ns |
| Time to Shutdown | t_{SHDN} | (Note 13) | Full | 60 | 160 | 600 | ns |
| Receiver Enable from Shutdown to Output High | $t_{ZH}(SHDN)$ | $R_L = 1k\Omega$, $C_L = 15pF$, SW = GND (Figure 6), (Notes 13, 15) | Full | - | - | 2000 | ns |
| Receiver Enable from Shutdown to Output Low | $t_{ZL}(SHDN)$ | $R_L = 1k\Omega$, $C_L = 15pF$, SW = V_{CC} (Figure 6), (Notes 13, 15) | Full | - | - | 2000 | ns |
| RECEIVER SWITCHING CHARACTERISTICS (1Mbps Versions; ISL31475E) | | | | | | | |
| Maximum Data Rate | f_{MAX} | (Figure 5) | Full | 1 | 15 | - | Mbps |
| Receiver Input to Output Delay | t_{PLH}, t_{PHL} | (Figure 5) | Full | - | 90 | 150 | ns |
| Receiver Skew $ t_{PLH} - t_{PHL} $ | t_{SKD} | (Figure 5) | Full | - | 4 | 10 | ns |
| Receiver Enable to Output Low | t_{ZL} | $R_L = 1k\Omega$, $C_L = 15pF$, SW = V_{CC} (Figure 6), (Note 12) | Full | - | - | 50 | ns |
| Receiver Enable to Output High | t_{ZH} | $R_L = 1k\Omega$, $C_L = 15pF$, SW = GND (Figure 6), (Note 12) | Full | - | - | 50 | ns |
| Receiver Disable from Output Low | t_{LZ} | $R_L = 1k\Omega$, $C_L = 15pF$, SW = V_{CC} (Figure 6) | Full | - | - | 50 | ns |
| Receiver Disable from Output High | t_{HZ} | $R_L = 1k\Omega$, $C_L = 15pF$, SW = GND (Figure 6) | Full | - | - | 50 | ns |
| Time to Shutdown | t_{SHDN} | (Note 13) | Full | 60 | 160 | 600 | ns |
| Receiver Enable from Shutdown to Output High | $t_{ZH}(SHDN)$ | $R_L = 1k\Omega$, $C_L = 15pF$, SW = GND (Figure 6), (Notes 13, 15) | Full | - | - | 2000 | ns |
| Receiver Enable from Shutdown to Output Low | $t_{ZL}(SHDN)$ | $R_L = 1k\Omega$, $C_L = 15pF$, SW = V_{CC} (Figure 6), (Notes 13, 15) | Full | - | - | 2000 | ns |
| RECEIVER SWITCHING CHARACTERISTICS (15Mbps Versions; ISL31478E) | | | | | | | |
| Maximum Data Rate | f_{MAX} | (Figure 5) | Full | 15 | 25 | - | Mbps |
| Receiver Input to Output Delay | t_{PLH}, t_{PHL} | (Figure 5) | Full | - | 35 | 70 | ns |

ISL31470E, ISL31472E, ISL31475E, ISL31478E

Electrical Specifications Test Conditions: $V_{CC} = 4.5V$ to $5.5V$; Unless Otherwise Specified. Typicals are at $V_{CC} = 5V$, $T_A = +25^{\circ}C$ (Note 8). **Boldface limits apply over the operating temperature range, $-40^{\circ}C$ to $+85^{\circ}C$. (Continued)**

| PARAMETER | SYMBOL | TEST CONDITIONS | TEMP (°C) | MIN (Note 16) | TYP | MAX (Note 16) | UNITS |
|--|----------------|--|-----------|---------------|-----|---------------|-------|
| Receiver Skew $ t_{PLH} - t_{PHL} $ | t_{SKD} | (Figure 5) | Full | - | 4 | 10 | ns |
| Receiver Enable to Output Low | t_{ZL} | $R_L = 1k\Omega$, $C_L = 15pF$, $SW = V_{CC}$ (Figure 6), (Note 12) | Full | - | - | 50 | ns |
| Receiver Enable to Output High | t_{ZH} | $R_L = 1k\Omega$, $C_L = 15pF$, $SW = GND$ (Figure 6), (Note 12) | Full | - | - | 50 | ns |
| Receiver Disable from Output Low | t_{LZ} | $R_L = 1k\Omega$, $C_L = 15pF$, $SW = V_{CC}$ (Figure 6) | Full | - | - | 50 | ns |
| Receiver Disable from Output High | t_{HZ} | $R_L = 1k\Omega$, $C_L = 15pF$, $SW = GND$ (Figure 6) | Full | - | - | 50 | ns |
| Time to Shutdown | t_{SHDN} | (Note 13) | Full | 60 | 160 | 600 | ns |
| Receiver Enable from Shutdown to Output High | $t_{ZH}(SHDN)$ | $R_L = 1k\Omega$, $C_L = 15pF$, $SW = GND$ (Figure 6), (Notes 13, 15) | Full | - | - | 2000 | ns |
| Receiver Enable from Shutdown to Output Low | $t_{ZL}(SHDN)$ | $R_L = 1k\Omega$, $C_L = 15pF$, $SW = V_{CC}$ (Figure 6), (Notes 13, 15) | Full | - | - | 2000 | ns |

NOTES:

- All currents into device pins are positive; all currents out of device pins are negative. All voltages are referenced to device ground unless otherwise specified.
- Supply current specification is valid for loaded drivers when $DE = 0V$.
- Applies to peak current. See "Typical Performance Curves" beginning on page 14 for more information.
- Keep $\overline{RE} = 0$ to prevent the device from entering SHDN.
- The \overline{RE} signal high time must be short enough (typically $<100ns$) to prevent the device from entering SHDN.
- Transceivers are put into shutdown by bringing \overline{RE} high and DE low. If the inputs are in this state for less than $60ns$, the parts are guaranteed not to enter shutdown. If the inputs are in this state for at least $600ns$, the parts are guaranteed to have entered shutdown. See "Low Power Shutdown Mode" on page 14.
- Keep $\overline{RE} = V_{CC}$, and set the DE signal low time $>600ns$ to ensure that the device enters SHDN.
- Set the \overline{RE} signal high time $>600ns$ to ensure that the device enters SHDN.
- Parameters with MIN and/or MAX limits are 100% tested at $+25^{\circ}C$, unless otherwise specified. Temperature limits established by characterization and are not production tested.
- Tested according to TIA/EIA-485-A, Section 4.2.6 ($\pm 80V$ for $15\mu s$ at a 1% duty cycle).
- See "Caution" statement below the "Recommended Operating Conditions" section on page 5.

Test Circuits and Waveforms

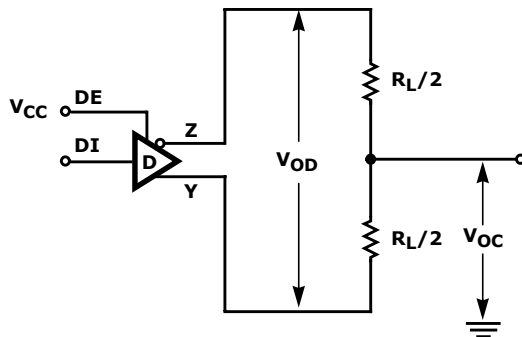


FIGURE 1A. V_{OD} AND V_{OC}

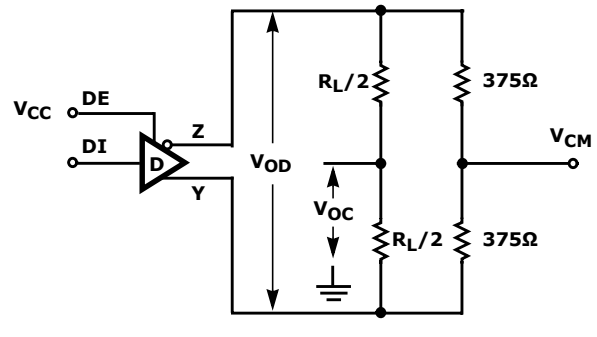


FIGURE 1B. V_{OD} AND V_{OC} WITH COMMON MODE LOAD

FIGURE 1. DC DRIVER TEST CIRCUITS

Test Circuits and Waveforms (Continued)

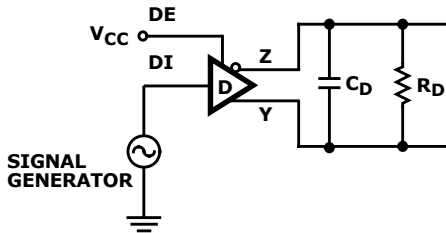


FIGURE 2A. TEST CIRCUIT

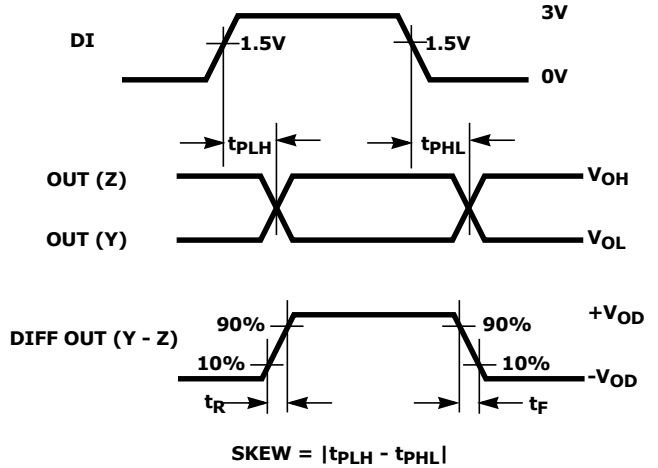
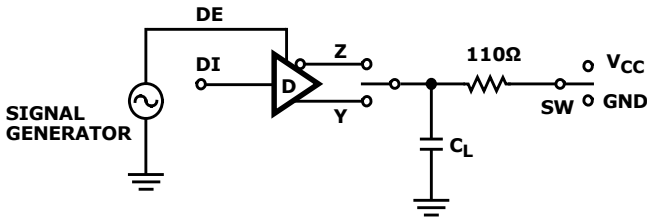


FIGURE 2B. MEASUREMENT POINTS

FIGURE 2. DRIVER PROPAGATION DELAY AND DIFFERENTIAL TRANSITION TIMES



| PARAMETER | OUTPUT | \overline{RE} | DI | SW | C_L (pF) |
|----------------|--------|-----------------|-----|----------|------------|
| t_{HZ} | Y/Z | X | 1/0 | GND | 50 |
| t_{LZ} | Y/Z | X | 0/1 | V_{CC} | 50 |
| t_{ZH} | Y/Z | 0 (Note 11) | 1/0 | GND | 100 |
| t_{ZL} | Y/Z | 0 (Note 11) | 0/1 | V_{CC} | 100 |
| $t_{ZH(SHDN)}$ | Y/Z | 1 (Note 14) | 1/0 | GND | 100 |
| $t_{ZL(SHDN)}$ | Y/Z | 1 (Note 14) | 0/1 | V_{CC} | 100 |

FIGURE 3A. TEST CIRCUIT

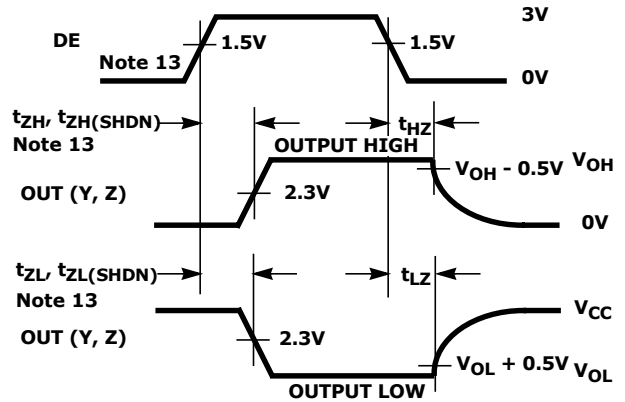


FIGURE 3B. MEASUREMENT POINTS

FIGURE 3. DRIVER ENABLE AND DISABLE TIMES

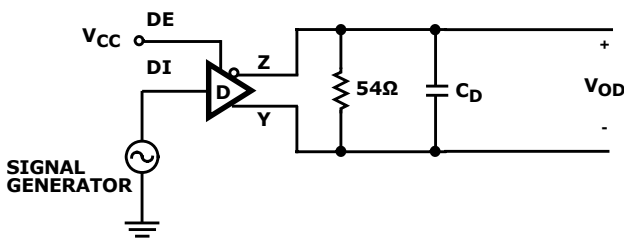


FIGURE 4A. TEST CIRCUIT

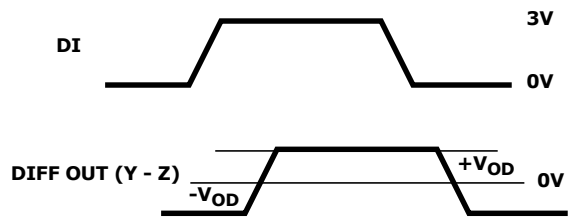


FIGURE 4B. MEASUREMENT POINTS

FIGURE 4. DRIVER DATA RATE

Test Circuits and Waveforms (Continued)

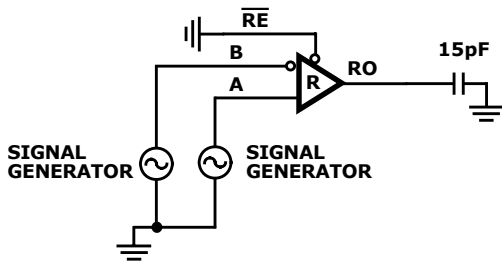


FIGURE 5A. TEST CIRCUIT

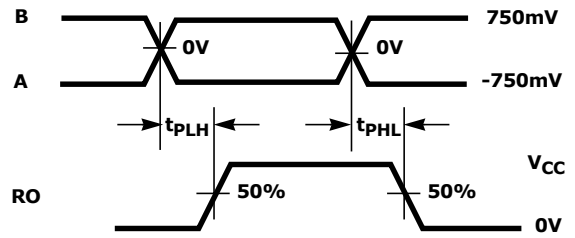
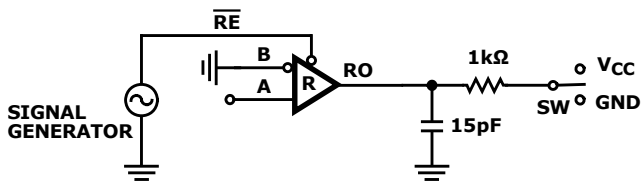


FIGURE 5B. MEASUREMENT POINTS

FIGURE 5. RECEIVER PROPAGATION DELAY AND DATA RATE



| PARAMETER | DE | A | SW |
|--------------------------|----|-------|----------|
| t_{HZ} | 0 | +1.5V | GND |
| t_{LZ} | 0 | -1.5V | V_{CC} |
| t_{ZH} (Note 12) | 0 | +1.5V | GND |
| t_{ZL} (Note 12) | 0 | -1.5V | V_{CC} |
| $t_{ZH(SHDN)}$ (Note 15) | 0 | +1.5V | GND |
| $t_{ZL(SHDN)}$ (Note 15) | 0 | -1.5V | V_{CC} |

FIGURE 6A. TEST CIRCUIT

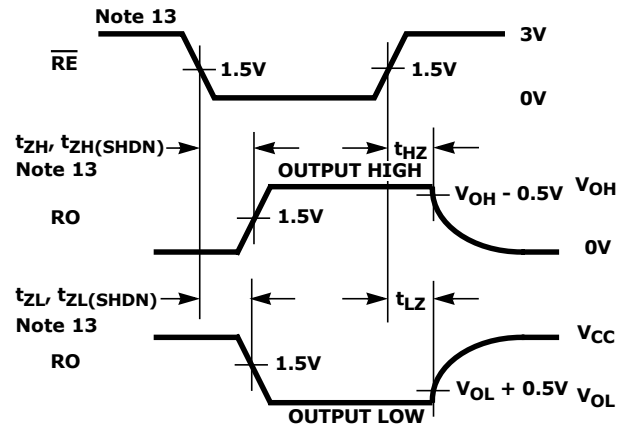


FIGURE 6B. MEASUREMENT POINTS

FIGURE 6. RECEIVER ENABLE AND DISABLE TIMES

Application Information

RS-485 and RS-422 are differential (balanced) data transmission standards used for long haul or noisy environments. RS-422 is a subset of RS-485, so RS-485 transceivers are also RS-422 compliant. RS-422 is a point-to-multipoint (multidrop) standard, which allows only one driver and up to 10 (assuming one unit load devices) receivers on each bus. RS-485 is a true multipoint standard, which allows up to 32 one unit load devices (any combination of drivers and receivers) on each bus. To allow for multipoint operation, the RS-485 specification requires that drivers must handle bus contention without sustaining any damage.

Another important advantage of RS-485 is the extended common mode range (CMR), which specifies that the driver outputs and receiver inputs withstand signals that range from +12V to -7V. RS-422 and RS-485 are intended for runs as long as 4000', thus the wide CMR is necessary to handle ground potential differences, as well as voltages induced in the cable by external fields.

The ISL31470E, ISL31472E, ISL31475E, ISL31478E is a family of ruggedized RS-485 transceivers that improves on the RS-485 basic requirements, and therefore increases system reliability. The CMR increases to $\pm 15V$, while the RS-485 bus pins (receiver inputs and driver outputs) include fault protection against voltages and transients up to $\pm 60V$. Additionally, larger than required differential output voltages (V_{OD}) increase noise immunity.

Receiver (Rx) Features

These devices utilize a differential input receiver for maximum noise immunity and common mode rejection. Input sensitivity is better than $\pm 200mV$, as required by the RS-422 and RS-485 specifications.

Receiver input (load) current surpasses the RS-422 specification of 3mA, and is four times lower than the RS-485 "Unit Load (UL)" requirement of 1mA maximum. Thus, these products are known as "one-quarter UL" transceivers, and there can be up to 128 of these devices on a network while still complying with the RS-485 loading specification.

The Rx functions with common mode voltages as great as $\pm 15V$, making them ideal for industrial, or long networks where induced voltages are a realistic concern.

All the receivers include a "full fail-safe" function that guarantees a high level receiver output if the receiver inputs are unconnected (floating), shorted together, or connected to a terminated bus with all the transmitters disabled (i.e., an idle bus).

Rx outputs feature high drive levels (typically 22mA @ $V_{OL} = 1V$) to ease the design of optically-coupled isolated interfaces.

Receivers easily meet the data rates supported by the corresponding driver, and all receiver outputs are three-statable via the active low \overline{RE} input.

The Rx in the 250kbps and 1Mbps versions include noise filtering circuitry to reject high frequency signals. The 1Mbps version typically rejects pulses narrower than 50ns (equivalent to 20Mbps), while the 250kbps Rx rejects pulses below 150ns (6.7Mbps).

Driver (Tx) Features

The RS-485/RS-422 driver is a differential output device that delivers at least 1.5V across a 54 Ω load (RS-485), and at least 2.4V across a 100 Ω load (RS-422). The drivers feature low propagation delay skew to maximize bit width, and to minimize EMI, and all drivers are three-statable via the active high DE input.

The 250kbps and 1Mbps driver outputs are slew rate limited to minimize EMI, and to minimize reflections in unterminated or improperly terminated networks. Outputs of the ISL31478E drivers are not limited, thus, faster output transition times allow data rates of at least 15Mbps.

High Overvoltage (Fault) Protection Increases ruggedness

The $\pm 60V$ (referenced to the IC GND) fault protection on the RS-485 pins, makes these transceivers some of the most rugged on the market. This level of protection makes the ISL31470E, ISL31472E, ISL31475E, ISL31478E perfect for applications where power (e.g., 24V and 48V supplies) must be routed in the conduit with the data lines, or for outdoor applications where large transients are likely to occur. When power is routed with the data lines, even a momentary short between the supply and data lines will destroy an unprotected device. The $\pm 60V$ fault levels of this family are at least **five times higher** than the levels specified for standard RS-485 ICs. The ISL31470E, ISL31472E, ISL31475E, ISL31478E protection is active whether the Tx is enabled or disabled, and even if the IC is powered down.

If transients or voltages (including overshoots and ringing) greater than $\pm 60V$ are possible, then additional external protection is required.

Wide Common Mode Voltage (CMV) Tolerance Improves Operating Range

RS-485 networks operating in industrial complexes, or over long distances, are susceptible to large CMV variations. Either of these operating environments may suffer from large node-to-node ground potential differences, or CMV pickup from external electromagnetic sources, and devices with only the minimum required +12V to -7V CMR may malfunction. The ISL31470E, ISL31472E, ISL31475E, ISL31478E's extended $\pm 15V$ CMR allows for operation in environments that would overwhelm lesser transceivers. Additionally, the Rx will not phase invert (erroneously change state) even with CMVs of $\pm 40V$, or differential voltages as large as 40V.

High V_{OD} Improves Noise Immunity and Flexibility

The ISL31470E, ISL31472E, ISL31475E, ISL31478E driver design delivers larger differential output voltages (V_{OD}) than the RS-485 standard requires, or than most RS-485 transmitters can deliver. The typical ±2.5V V_{OD} provides more noise immunity than networks built using many other transceivers.

Another advantage of the large V_{OD} is the ability to drive more than two bus terminations, which allows for utilizing the ISL31470E, ISL31472E, ISL31475E, ISL31478E in “star” and other multi-terminated, nonstandard network topologies. Figure 8, details the transmitter’s V_{OD} vs I_{OUT} characteristic, and includes load lines for four (30Ω) and six (20Ω) 120Ω terminations. Figure 8 shows that the driver typically delivers ±1.3V into six terminations, and the “Electrical Specification” table guarantees a V_{OD} of ±0.8V at 21Ω over the full temperature range. The RS-485 standard requires a minimum 1.5V V_{OD} into two terminations, but the ISL31470E, ISL31472E, ISL31475E, ISL31478E deliver RS-485 voltage levels with 2x to 3x the number of terminations.

Hot Plug Function

When a piece of equipment powers up, there is a period of time where the processor or ASIC driving the RS-485 control lines (DE, RE) is unable to ensure that the RS-485 Tx and Rx outputs are kept disabled. If the equipment is connected to the bus, a driver activating prematurely during power-up may crash the bus. To avoid this scenario, the ISL31470E, ISL31472E, ISL31475E, ISL31478E devices incorporate a “Hot Plug” function. Circuitry monitoring V_{CC} ensures that, during power-up and power-down, the Tx and Rx outputs remain disabled, regardless of the state of DE and RE, if V_{CC} is less than ≈3.5V. This gives the processor/ASIC a chance to stabilize and drive the RS-485 control lines to the proper states. Figure 7 illustrates the power-up and power-down performance of the ISL31470E, ISL31472E, ISL31475E, ISL31478E compared to an RS-485 IC without the Hot Plug feature.

Data Rate, Cables, and Terminations

RS-485/RS-422 are intended for network lengths up to 4000’, but the maximum system data rate decreases as the transmission length increases. Devices operating at 15Mbps may be used at lengths up to 150’ (46m), but the distance can be increased to 328’ (100m) by operating at 10Mbps. The 1Mbps versions can operate at full data rates with lengths up to 800’ (244m). Jitter is the limiting parameter at these faster data rates, so employing encoded data streams (e.g., Manchester coded or Return-to-Zero) may allow increased transmission distances. The slow versions can operate at 115kbps, or less, at the full 4000’ (1220m) distance, or at 250kbps for lengths up to 3000’ (915m). DC cable attenuation is the limiting parameter, so using better quality cables (e.g., 22 AWG) may allow increased transmission distance.

Twisted pair is the cable of choice for RS-485/RS-422 networks. Twisted pair cables tend to pick up noise and other electromagnetically induced voltages as common mode signals, which are effectively rejected by the differential receivers in these ICs.

Proper termination is imperative, when using the 15Mbps devices, to minimize reflections. Short networks using the 250kbps versions need not be terminated, however, terminations are recommended unless power dissipation is an overriding concern.

In point-to-point, or point-to-multipoint (single driver on bus like RS-422) networks, the main cable should be terminated in its characteristic impedance (typically 120Ω) at the end farthest from the driver. In multi-receiver applications, stubs connecting receivers to the main cable should be kept as short as possible. Multipoint (multi-driver) systems require that the main cable be terminated in its characteristic impedance at both ends. Stubs connecting a transceiver to the main cable should be kept as short as possible.

Built-In Driver Overload Protection

As stated previously, the RS-485 specification requires that drivers survive worst case bus contentions undamaged. These transceivers meet this requirement via driver output short circuit current limits, and on-chip thermal shutdown circuitry.

The driver output stages incorporate a double fold-back short circuit current limiting scheme which ensures that the output current never exceeds the RS-485 specification, even at the common mode and fault condition voltage range extremes. The first fold-back current level (≈70mA) is set to ensure that the driver never folds back when driving loads with common mode voltages up to ±15V. The very low second fold-back current setting (≈9mA) minimizes power dissipation if the Tx is enabled when a fault occurs.

In the event of a major short circuit condition, devices also include a thermal shutdown feature that disables the drivers whenever the die temperature becomes excessive. This eliminates the power dissipation,

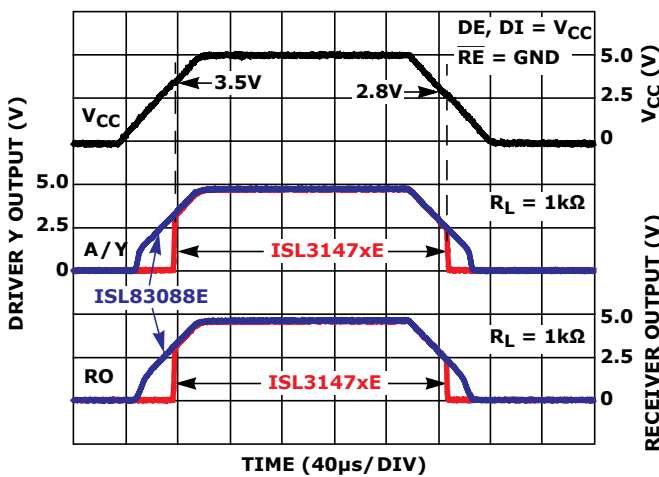


FIGURE 7. HOT PLUG PERFORMANCE (ISL3147xE) vs ISL83088E WITHOUT HOT PLUG CIRCUITRY

allowing the die to cool. The drivers automatically re-enable after the die temperature drops about 15°C. If the contention persists, the thermal shutdown/re-enable cycle repeats until the fault is cleared. Receivers stay operational during thermal shutdown.

Low Power Shutdown Mode

These CMOS transceivers all use a fraction of the power required by competitive devices, but they also include a shutdown feature that reduces the already low quiescent

I_{CC} to a 10µA trickle. These devices enter shutdown whenever the receiver and driver are *simultaneously* disabled ($\overline{RE} = V_{CC}$ and $DE = GND$) for a period of at least 600ns. Disabling both the driver and the receiver for less than 60ns guarantees that the transceiver will not enter shutdown.

Note that receiver and driver enable times increase when the transceiver enables from shutdown. Refer to Notes 11, 12, 13, 14 and 15, at the end of the "Electrical Specification" table on page 9, for more information.

Typical Performance Curves $V_{CC} = 5V, T_A = +25^\circ C$; Unless Otherwise Specified.

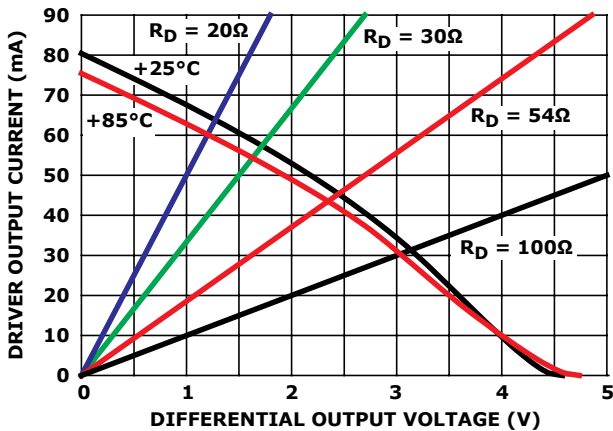


FIGURE 8. DRIVER OUTPUT CURRENT vs DIFFERENTIAL OUTPUT VOLTAGE

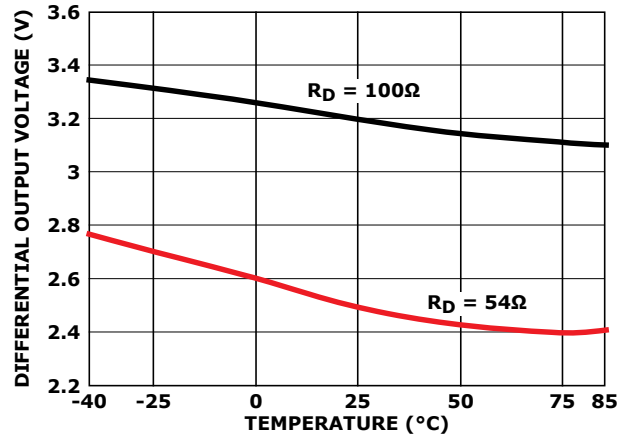


FIGURE 9. DRIVER DIFFERENTIAL OUTPUT VOLTAGE vs TEMPERATURE

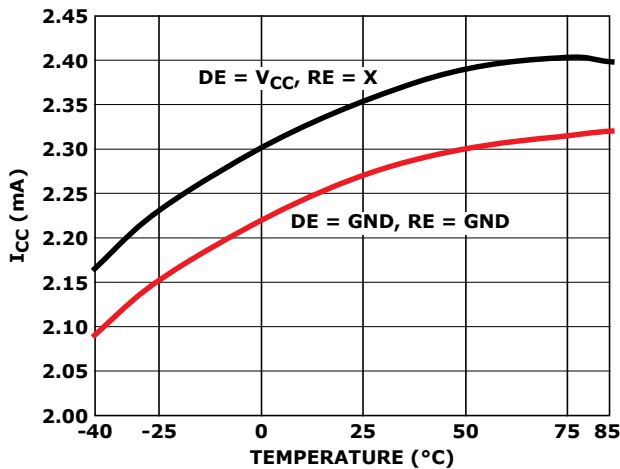


FIGURE 10. SUPPLY CURRENT vs TEMPERATURE

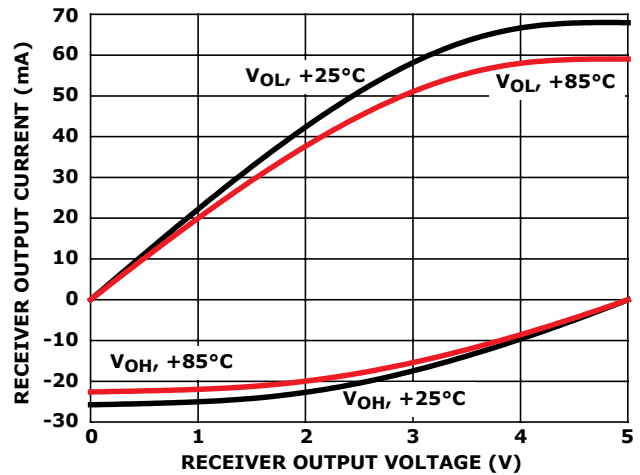


FIGURE 11. RECEIVER OUTPUT CURRENT vs RECEIVER OUTPUT VOLTAGE

Typical Performance Curves $V_{CC} = 5V$, $T_A = +25^\circ C$; Unless Otherwise Specified. (Continued)

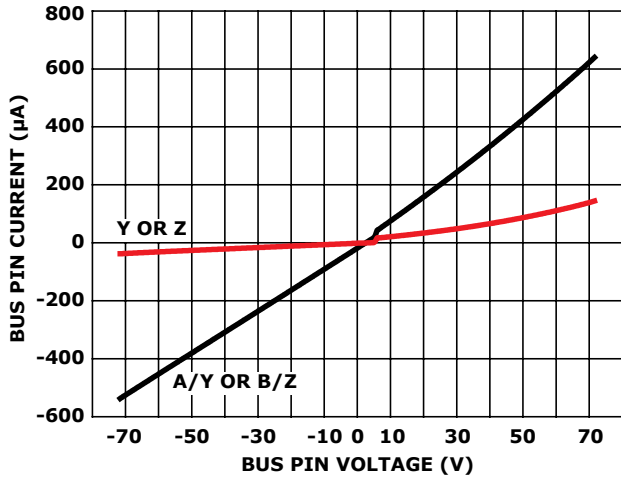


FIGURE 12. BUS PIN CURRENT vs BUS PIN VOLTAGE

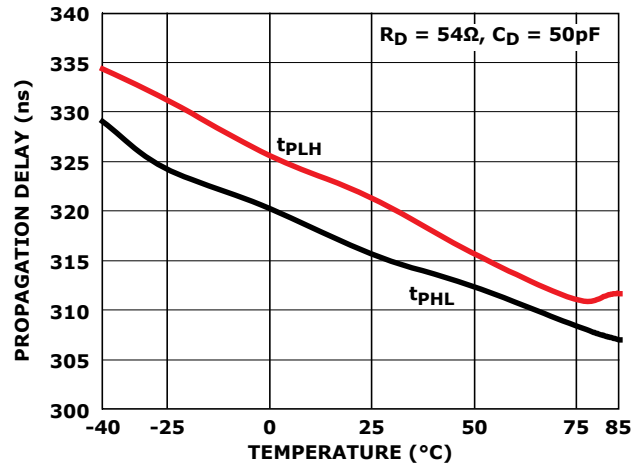


FIGURE 13. DRIVER DIFFERENTIAL PROPAGATION DELAY vs TEMPERATURE (ISL31470E, ISL31472E)

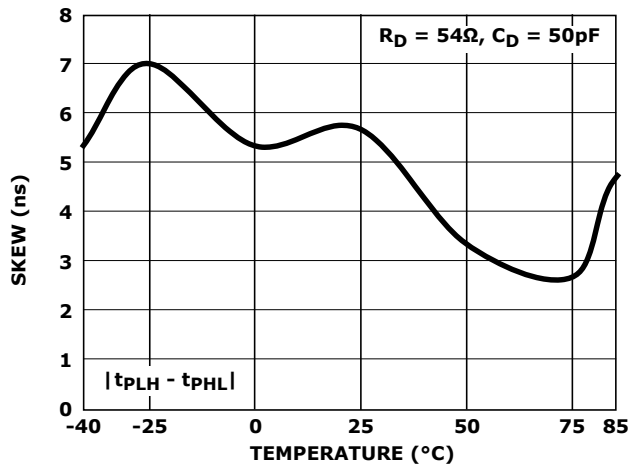


FIGURE 14. DRIVER DIFFERENTIAL SKEW vs TEMPERATURE (ISL31470E, ISL31472E)

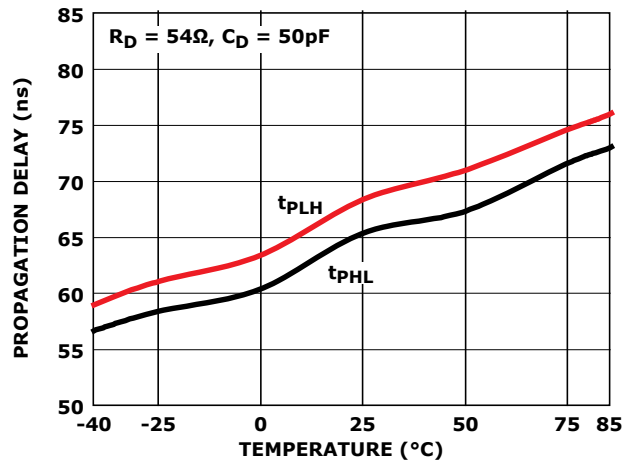


FIGURE 15. DRIVER DIFFERENTIAL PROPAGATION DELAY vs TEMPERATURE (ISL31475E)

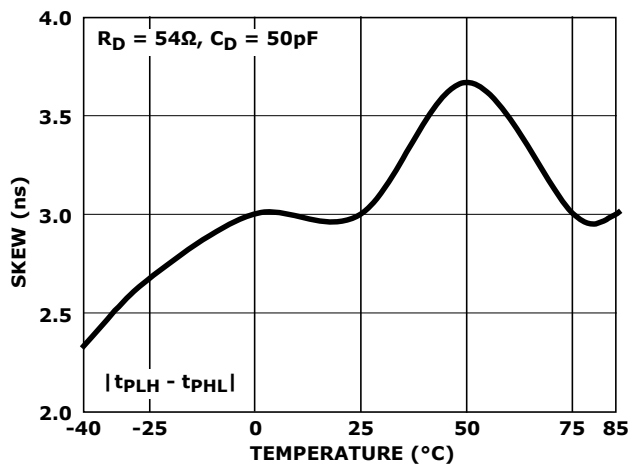


FIGURE 16. DRIVER DIFFERENTIAL SKEW vs TEMPERATURE (ISL31475E)

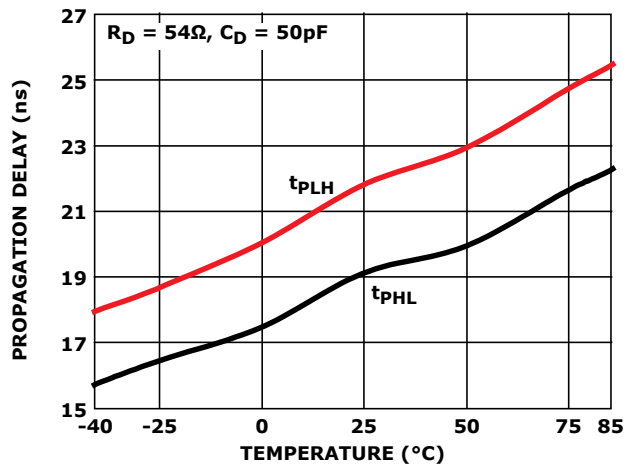


FIGURE 17. DRIVER DIFFERENTIAL PROPAGATION DELAY vs TEMPERATURE (ISL31478E)

Typical Performance Curves $V_{CC} = 5V$, $T_A = +25^\circ C$; Unless Otherwise Specified. (Continued)

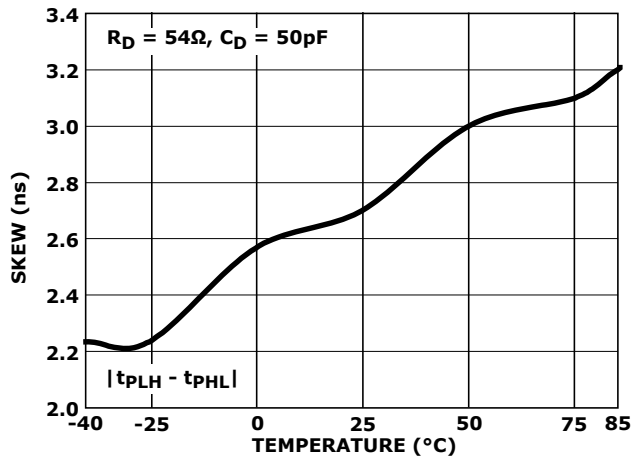


FIGURE 18. DRIVER DIFFERENTIAL SKEW vs TEMPERATURE (ISL31478E)

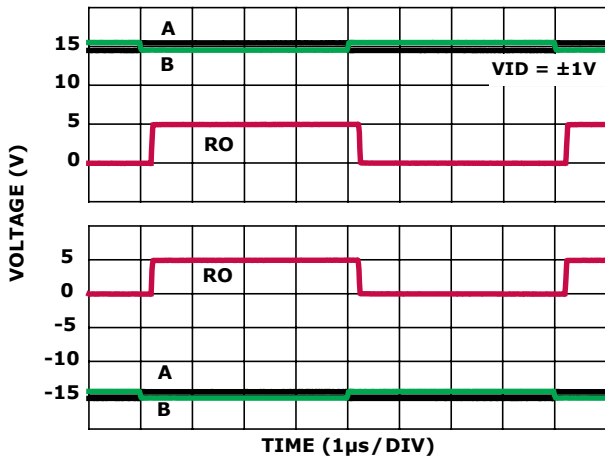


FIGURE 19. ±15V RECEIVER PERFORMANCE (ISL31470E, ISL31472E)

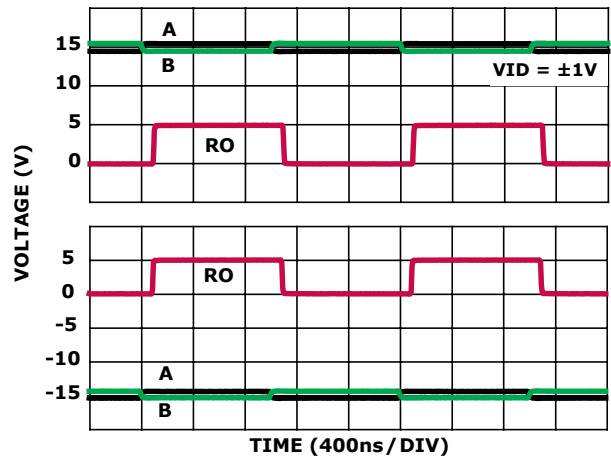


FIGURE 20. ±15V RECEIVER PERFORMANCE (ISL31475E)

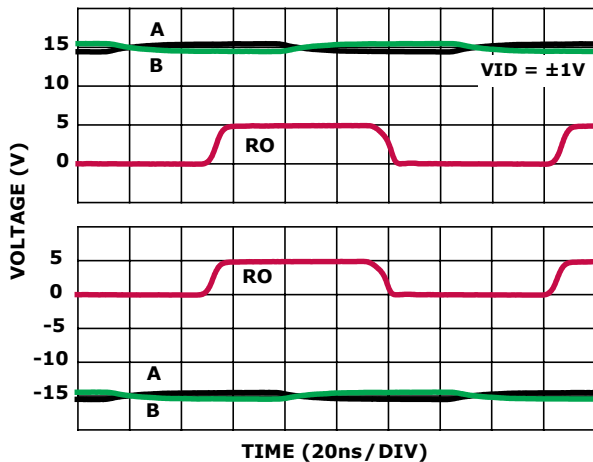


FIGURE 21. ±15V RECEIVER PERFORMANCE (ISL31478E)

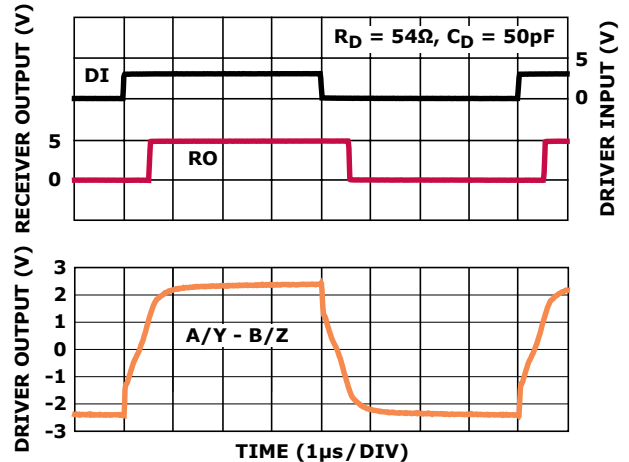


FIGURE 22. DRIVER AND RECEIVER WAVEFORMS (ISL31470E, ISL31472E)

Typical Performance Curves $V_{CC} = 5V$, $T_A = +25^\circ C$; Unless Otherwise Specified. (Continued)

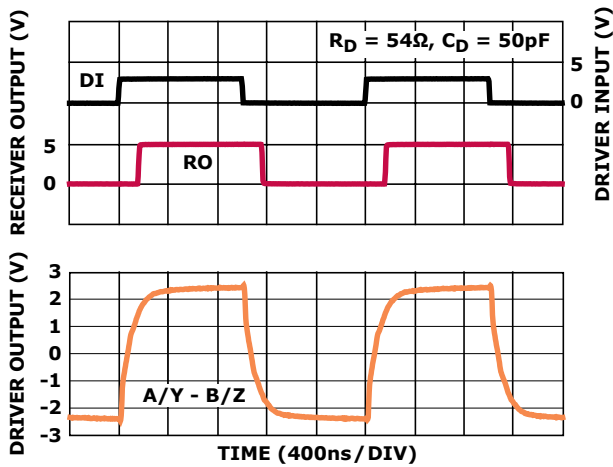


FIGURE 23. DRIVER AND RECEIVER WAVEFORMS (ISL31475E)

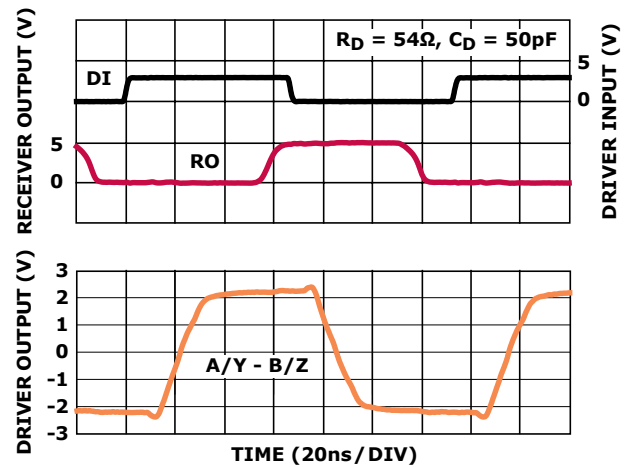


FIGURE 24. DRIVER AND RECEIVER WAVEFORMS (ISL31478E)

Die Characteristics

SUBSTRATE POTENTIAL (POWERED UP):

GND

PROCESS:

Si Gate BiCMOS

Revision History

The revision history provided is for informational purposes only and is believed to be accurate, but not warranted. Please go to web to make sure you have the latest Rev.

| DATE | REVISION | CHANGE |
|---------|----------|-----------------|
| 6/17/10 | FN7639.0 | Initial Release |

Products

Intersil Corporation is a leader in the design and manufacture of high-performance analog semiconductors. The Company's products address some of the industry's fastest growing markets, such as, flat panel displays, cell phones, handheld products, and notebooks. Intersil's product families address power management and analog signal processing functions. Go to www.intersil.com/products for a complete list of Intersil product families.

*For a complete listing of Applications, Related Documentation and Related Parts, please see the respective device information page on intersil.com: [ISL31470E, ISL31472E, ISL31475E, ISL31478E](http://www.intersil.com/products)

To report errors or suggestions for this datasheet, please go to www.intersil.com/askourstaff

FITs are available from our website at <http://rel.intersil.com/reports/search.php>

For additional products, see www.intersil.com/product_tree

Intersil products are manufactured, assembled and tested utilizing ISO9000 quality systems as noted in the quality certifications found at www.intersil.com/design/quality

Intersil products are sold by description only. Intersil Corporation reserves the right to make changes in circuit design, software and/or specifications at any time without notice. Accordingly, the reader is cautioned to verify that data sheets are current before placing orders. Information furnished by Intersil is believed to be accurate and reliable. However, no responsibility is assumed by Intersil or its subsidiaries for its use; nor for any infringements of patents or other rights of third parties which may result from its use. No license is granted by implication or otherwise under any patent or patent rights of Intersil or its subsidiaries.

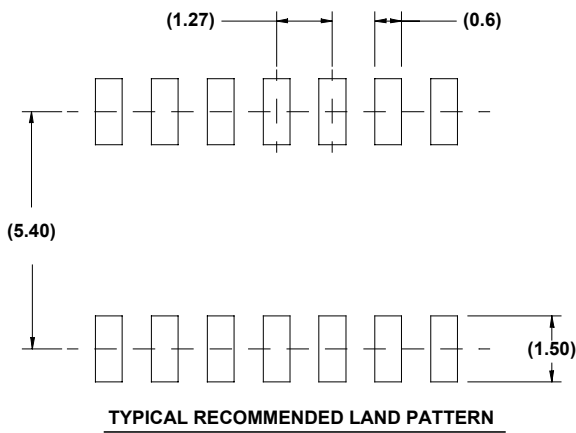
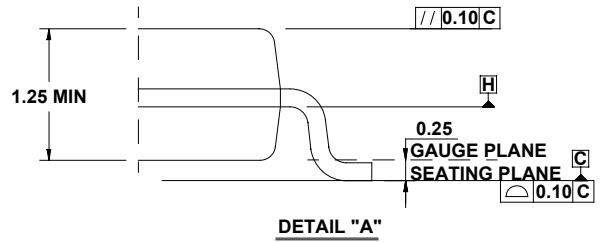
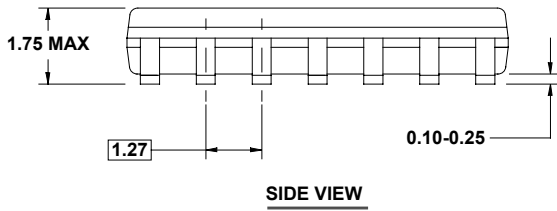
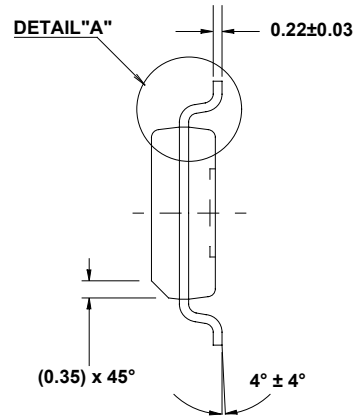
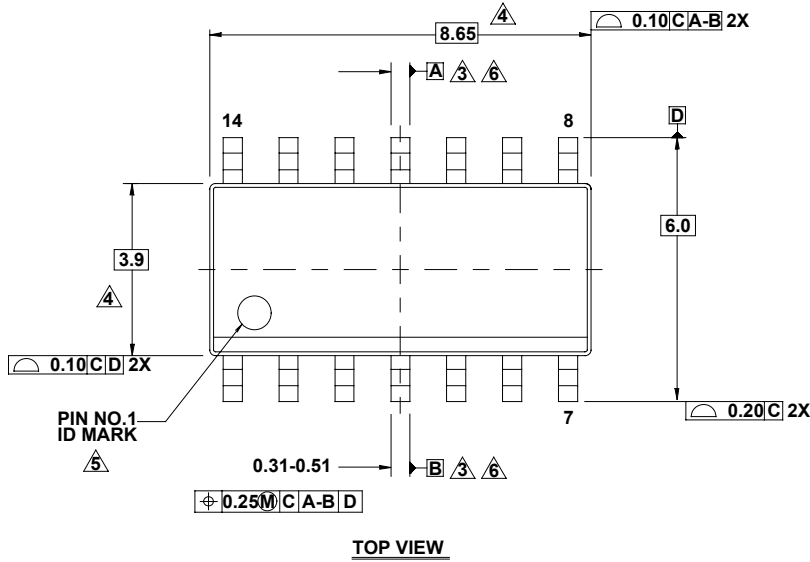
For information regarding Intersil Corporation and its products, see www.intersil.com

Package Outline Drawing

M14.15

14 LEAD NARROW BODY SMALL OUTLINE PLASTIC PACKAGE

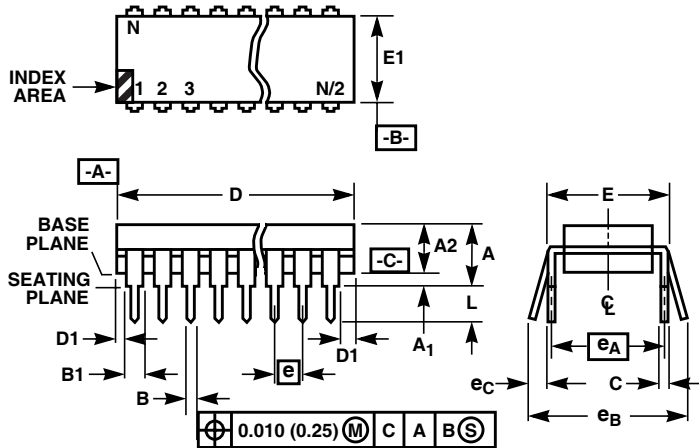
Rev 1, 10/09



NOTES:

1. Dimensions are in millimeters. Dimensions in () for Reference Only.
2. Dimensioning and tolerancing conform to AMSEY14.5m-1994.
3. Datums A and B to be determined at Datum H.
4. Dimension does not include interlead flash or protrusions. Interlead flash or protrusions shall not exceed 0.25mm per side.
5. The pin #1 identifier may be either a mold or mark feature.
6. Does not include dambar protrusion. Allowable dambar protrusion shall be 0.10mm total in excess of lead width at maximum condition.
7. Reference to JEDEC MS-012-AB.

Dual-In-Line Plastic Packages (PDIP)



NOTES:

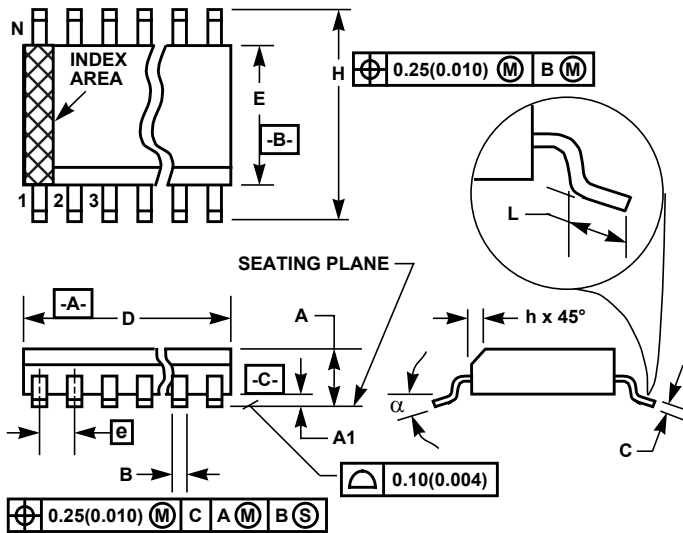
1. Controlling Dimensions: INCH. In case of conflict between English and Metric dimensions, the inch dimensions control.
2. Dimensioning and tolerancing per ANSI Y14.5M-1982.
3. Symbols are defined in the "MO Series Symbol List" in Section 2.2 of Publication No. 95.
4. Dimensions A, A1 and L are measured with the package seated in JEDEC seating plane gauge GS-3.
5. D, D1, and E1 dimensions do not include mold flash or protrusions. Mold flash or protrusions shall not exceed 0.010 inch (0.25mm).
6. E and e_A are measured with the leads constrained to be perpendicular to datum -C-.
7. e_B and e_C are measured at the lead tips with the leads unconstrained. e_C must be zero or greater.
8. B1 maximum dimensions do not include dambar protrusions. Dambar protrusions shall not exceed 0.010 inch (0.25mm).
9. N is the maximum number of terminal positions.
10. Corner leads (1, N, N/2 and N/2 + 1) for E8.3, E16.3, E18.3, E28.3, E42.6 will have a B1 dimension of 0.030 - 0.045 inch (0.76 - 1.14mm).

E8.3 (JEDEC MS-001-BA ISSUE D)
8 LEAD DUAL-IN-LINE PLASTIC PACKAGE

| SYMBOL | INCHES | | MILLIMETERS | | NOTES |
|----------------|-----------|-------|-------------|-------|-------|
| | MIN | MAX | MIN | MAX | |
| A | - | 0.210 | - | 5.33 | 4 |
| A1 | 0.015 | - | 0.39 | - | 4 |
| A2 | 0.115 | 0.195 | 2.93 | 4.95 | - |
| B | 0.014 | 0.022 | 0.356 | 0.558 | - |
| B1 | 0.045 | 0.070 | 1.15 | 1.77 | 8, 10 |
| C | 0.008 | 0.014 | 0.204 | 0.355 | - |
| D | 0.355 | 0.400 | 9.01 | 10.16 | 5 |
| D1 | 0.005 | - | 0.13 | - | 5 |
| E | 0.300 | 0.325 | 7.62 | 8.25 | 6 |
| E1 | 0.240 | 0.280 | 6.10 | 7.11 | 5 |
| e | 0.100 BSC | | 2.54 BSC | | - |
| e _A | 0.300 BSC | | 7.62 BSC | | 6 |
| e _B | - | 0.430 | - | 10.92 | 7 |
| L | 0.115 | 0.150 | 2.93 | 3.81 | 4 |
| N | 8 | | 8 | | 9 |

Rev. 0 12/93

Small Outline Plastic Packages (SOIC)



M8.15 (JEDEC MS-012-AA ISSUE C)
8 LEAD NARROW BODY SMALL OUTLINE PLASTIC PACKAGE

| SYMBOL | INCHES | | MILLIMETERS | | NOTES |
|----------|-----------|--------|-------------|------|-------|
| | MIN | MAX | MIN | MAX | |
| A | 0.0532 | 0.0688 | 1.35 | 1.75 | - |
| A1 | 0.0040 | 0.0098 | 0.10 | 0.25 | - |
| B | 0.013 | 0.020 | 0.33 | 0.51 | 9 |
| C | 0.0075 | 0.0098 | 0.19 | 0.25 | - |
| D | 0.1890 | 0.1968 | 4.80 | 5.00 | 3 |
| E | 0.1497 | 0.1574 | 3.80 | 4.00 | 4 |
| e | 0.050 BSC | | 1.27 BSC | | - |
| H | 0.2284 | 0.2440 | 5.80 | 6.20 | - |
| h | 0.0099 | 0.0196 | 0.25 | 0.50 | 5 |
| L | 0.016 | 0.050 | 0.40 | 1.27 | 6 |
| N | 8 | | 8 | | 7 |
| α | 0° | 8° | 0° | 8° | - |

NOTES:

1. Symbols are defined in the "MO Series Symbol List" in Section 2.2 of Publication Number 95.
2. Dimensioning and tolerancing per ANSI Y14.5M-1982.
3. Dimension "D" does not include mold flash, protrusions or gate burrs. Mold flash, protrusion and gate burrs shall not exceed 0.15mm (0.006 inch) per side.
4. Dimension "E" does not include interlead flash or protrusions. Interlead flash and protrusions shall not exceed 0.25mm (0.010 inch) per side.
5. The chamfer on the body is optional. If it is not present, a visual index feature must be located within the crosshatched area.
6. "L" is the length of terminal for soldering to a substrate.
7. "N" is the number of terminal positions.
8. Terminal numbers are shown for reference only.
9. The lead width "B", as measured 0.36mm (0.014 inch) or greater above the seating plane, shall not exceed a maximum value of 0.61mm (0.024 inch).
10. Controlling dimension: MILLIMETER. Converted inch dimensions are not necessarily exact.

Rev. 1 6/05

AMEYA360

Components Supply Platform

Authorized Distribution Brand :



Website :

Welcome to visit www.ameya360.com

Contact Us :

➤ Address :

401 Building No.5, JiuGe Business Center, Lane 2301, Yishan Rd
Minhang District, Shanghai , China

➤ Sales :

Direct +86 (21) 6401-6692

Email amall@ameya360.com

QQ 800077892

Skype [ameyasales1](#) [ameyasales2](#)

➤ Customer Service :

Email service@ameya360.com

➤ Partnership :

Tel +86 (21) 64016692-8333

Email mkt@ameya360.com