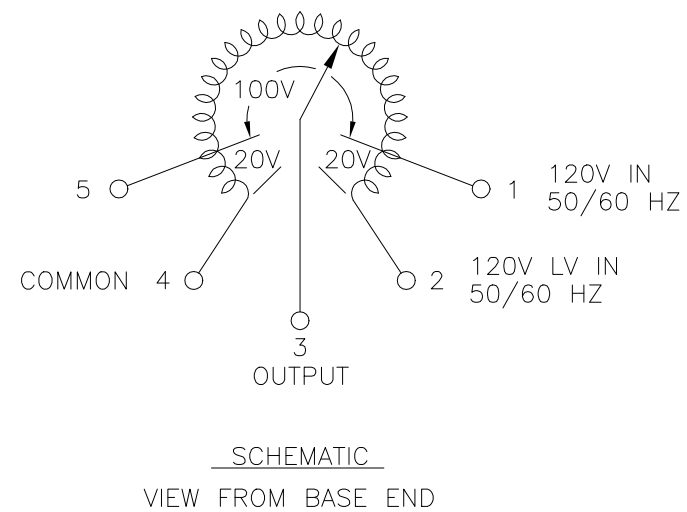
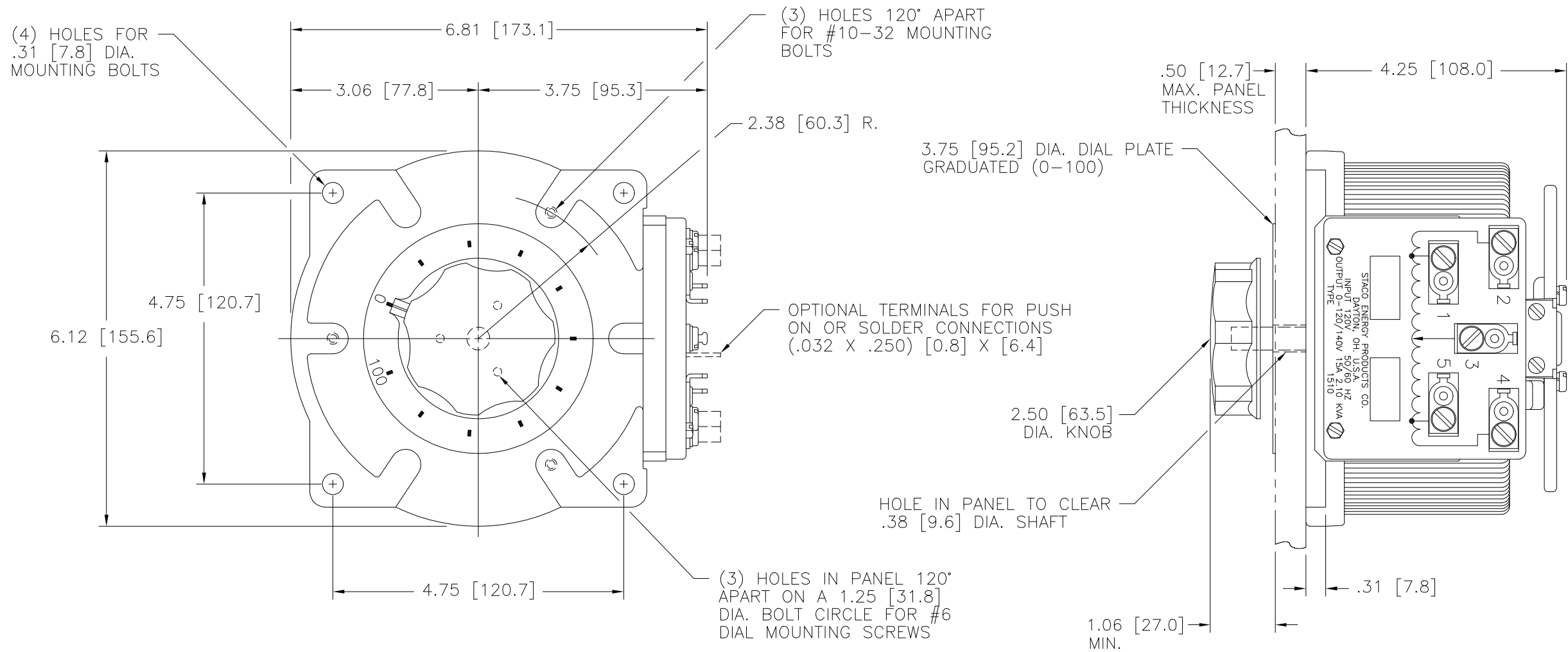


DWG. NO.	031-3601		
REVISIONS			
SYM.	E.C.N.	DATE	APVD.
A	21675	12/03/91	
REVISED & REDRAWN			
B	24898	7/18/02	
REVISED SILKSCREEN			
C	25108	4/22/03	
ADDED 2.38 R DIM			



SPECIFICATIONS											
WIRING	INPUT		OUTPUT				SHAFT ROTATION TO INCREASE VOLTAGE	TERMINAL CONNECTIONS			
	VOLTS	HERTZ	VOLTS	CONSTANT CURRENT LOAD		CONSTANT IMPEDANCE LOAD		FOR INCREASING VOLTAGE AS VIEWED FROM BASE END			
				MAX. AMPS	MAX. KVA	MAX. AMPS		MAX. KVA	INPUT	JUMPER	OUTPUT
SINGLE PHASE	120	50/60	0-120	15	1.80	20	2.40	CW	2-4	---	4-3
			0-140	15	2.10	---	---	CCW	2-4	---	2-3
								CW	1-4	---	4-3
								CCW	5-2	---	2-3

UNLESS OTHERWISE SPECIFIED, TOLERANCE IS ±  
DECIMALS HOLES ANGLES DRAFT  
.XX .0005 .002 1° 1-1/2°  
XXX .005

MATERIAL: ALL DIMENSIONS APPLY AFTER PLATING

UNITS IN [mm]

TITLE: SPEC. CONTROL DRAWING  
VARIABLE TRANSFORMER  
MODEL 1510

STACO ENERGY PRODUCTS CO.  
A Components Corporation of Ametec Company  
302 Gaidis Boulevard Dayton, Ohio 45424 USA

DRAWN BY: K. TOLLIVER DATE: 11/25/91 FIRST USED ON: 1510 DO NOT SCALE DWG.

CHECKER: DATE: WEIGHT APPROX.: 15.75 LBS CAGE CODE: 83008

ENGINEER: DATE: SCALE: 1=1 SHEET 1 OF 1

DWG. NO. 031-3601

## Authorized Distribution Brand :



## Website :

Welcome to visit [www.ameya360.com](http://www.ameya360.com)

## Contact Us :

### ➤ Address :

401 Building No.5, JiuGe Business Center, Lane 2301, Yishan Rd  
Minhang District, Shanghai , China

### ➤ Sales :

Direct +86 (21) 6401-6692

Email [amall@ameya360.com](mailto:amall@ameya360.com)

QQ 800077892

Skype ameyasales1 ameyasales2

### ➤ Customer Service :

Email [service@ameya360.com](mailto:service@ameya360.com)

### ➤ Partnership :

Tel +86 (21) 64016692-8333

Email [mkt@ameya360.com](mailto:mkt@ameya360.com)