

## DC POWER CONNECTORS: KLDHCX Series High Current Thru-hole Power Jack

### Product Features

2.0mm and 2.5mm.  
Laptop and Palm Computers, Portable Modems, Radar Detectors, and Other Portable Device Applications.  
CSA/NRTL Certified File No. LR78160.

### Performance Specifications

#### Materials and Finish

**Housing:** PBT Thermoplastic, UL94V-0 Rated, Black Color

#### Contact Materials

**Center Pin:** Copper, Nickel Plated

**Contact #1:** Brass, Silver Plated over Nickel Underplate

**Contact #2:** Copper Alloy, Silver Plated over Nickel Underplate

**Spring:** Copper Alloy, Silver Plated over Nickel Underplate

**Shield:** Brass, Nickel Plated

### Electrical Characteristics

**Rated Current:** 8A

**Rated Voltage:** 24V DC

**Insulation Resistance:** 100 Megohms Min. at 500V DC

**Contact Resistance:** 30 milliohms Max.

**Dielectric Withstanding Voltage:** 500V for 1 Minute

### Mechanical Characteristics

**Insertion Force:** 0.3kg - 3.0kg

**Withdrawal Force:** 0.3kg - 3.0kg

**Durability:** 5000 Mating Cycles Min.

**Operating Temperature:** -25°C to +85°C

2D Drawing	IGES	STEP	3D PDF
Solder Profile	CofC RoHS Compliant	CofC REACH Compliant	UL Plastic File
Certificate of Origin	Check Stock	Request a Sample	Send Us An Email

Generated Part Number

Part Number Builder

-   
 Series                      Diameter

#### Series

KLDHCX-8-0202 - High Current Thru-hole DC Power Jack

#### Diameter

A - 2.0mm Center Pin Diameter

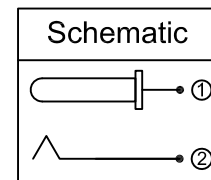
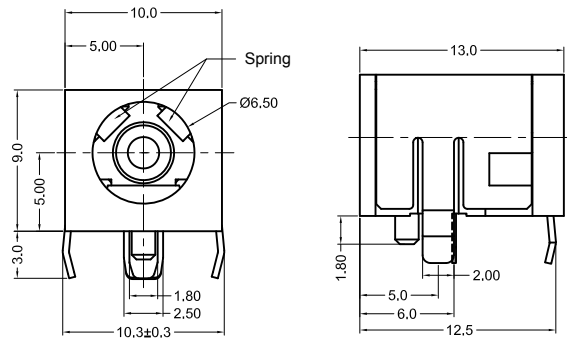
B - 2.5mm Center Pin Diameter

Contact Kycon For Other Option

### KLDHCX-8-0202 Series

Dimensions in mm

#### KLDHCX-8-0202-x



# AMEYA360

## Components Supply Platform

Authorized Distribution Brand :



Website :

Welcome to visit [www.ameya360.com](http://www.ameya360.com)

Contact Us :

➤ Address :

401 Building No.5, JiuGe Business Center, Lane 2301, Yishan Rd  
Minhang District, Shanghai , China

➤ Sales :

Direct +86 (21) 6401-6692

Email [amall@ameya360.com](mailto:amall@ameya360.com)

QQ 800077892

Skype [ameyasales1](#) [ameyasales2](#)

➤ Customer Service :

Email [service@ameya360.com](mailto:service@ameya360.com)

➤ Partnership :

Tel +86 (21) 64016692-8333

Email [mkt@ameya360.com](mailto:mkt@ameya360.com)