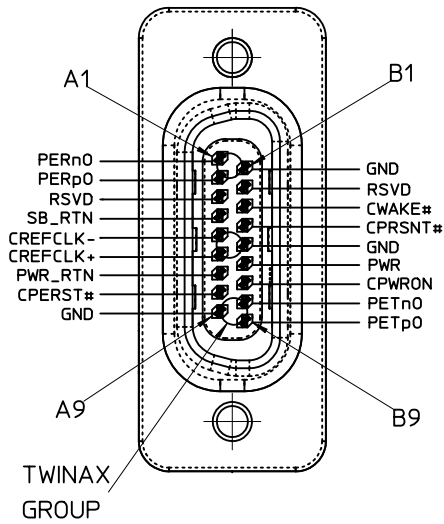
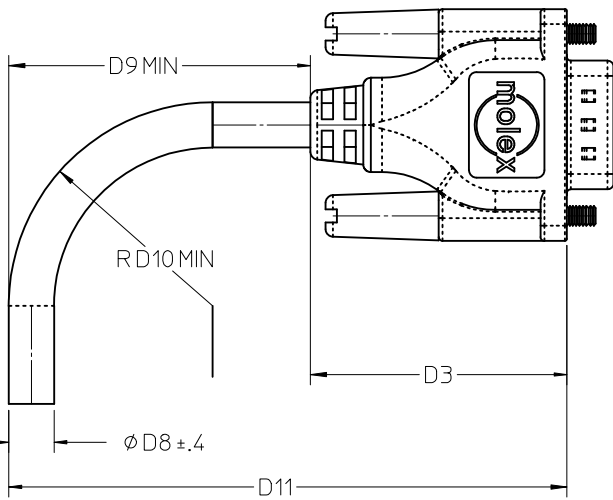


MATERIAL NUMBER	DESCRIPTION	GAUGE	LENGTH(M)	TOL.
745760009	1x PCIe CABLE ASSEMBLY	28	0.30M	±0.025
745760008	1X PCIe CABLE ASSEMBLY	28	0.18M	±0.025
745760000	1X PCIe CABLE ASSEMBLY	28	0.5M	±0.025
745760001	1X PCIe CABLE ASSEMBLY	28	1M	±0.050
745760002	1X PCIe CABLE ASSEMBLY	28	2M	±0.100
745760003	1X PCIe CABLE ASSEMBLY	28	3M	±0.100
745760004	1X PCIe CABLE ASSEMBLY	28	4M	±0.100
745760005	1X PCIe CABLE ASSEMBLY	26	5M	±0.150
745760006	1X PCIe CABLE ASSEMBLY	26	6M	±0.150
745760007	1X PCIe CABLE ASSEMBLY	24	7M	±0.150

- NOTES:
- INNER MOLDED WITH 887800008.
OUTER MOLED WITH BLACK 887800019
 - THIS PRODUCT MEETS THE RESTRICTION OF HAZARDOUS SUBSTANCES IN ELECTRICAL AND ELECTRONIC EQUIPMENT (RoHS) DIRECTIVE (2002/95/EC).
 - WW/YY DATE CODE:
WW-WEEK NUMBER
YY-LAST TWO NUMBER OF THE YEAR
 - THE SHARP OF PRODUCTION FOR REFER TO.
 - THE MOLD SHARP JUST FOR REFER TO.

ADD 745760008/9 EC NO: CPG2012-1684 DRWN:ZYU 2012/05/31 CHKD:SALLY CUI 2012/05/31 APPR:CLAN01 2012/05/31	QUALITY SYMBOLS $\nabla_F=0$ $\nabla_E=0$ $\nabla_P=0$	GENERAL TOLERANCES (UNLESS SPECIFIED)		DIMENSION STYLE MM ONLY		SCALE ---	DESIGN UNITS METRIC	THIRD ANGLE PROJECTION	
		4 PLACES ± --- ± --- 3 PLACES ± --- ± .020 2 PLACES ± 0.5 ± --- 1 PLACE ± --- ± --- 0 PLACE ± --- ± ---	mm INCH	DRAWN BY K.PHILLIPS	DATE 2005/12/21	TITLE 1X PCIe CABLE ASSEMBLY			
		DRAFT WHERE APPLICABLE MUST REMAIN WITHIN DIMENSIONS		CHECKED BY T.HALL	DATE 2005/12/21	APPROVED BY D.DOYE			
REV	DESCRIPTION	ANGULAR ± 1°		MATERIAL NO. SEE CHART		DOCUMENT NO. SD-74576-000		SHEET NO. 1 OF 2	



SIGNAL DESC	PIN#		PIN#	SIGNAL DESC
PERn0	A1	← - - -	B8	PETn0
PERp0	A2	← - - -	B9	PRTp0
RSVD	A3	NC	A3	RSVD
SB_RTN	A4	- - - - -	A4	SB_RTN
CREFCLK-	A5	← - - -	A5	CREFCLK-
CREFCLK+	A6	← - - -	A6	CREFCLK+
PWR_RTN	A7	NC	A7	PWR_RTN
CPERST#	A8	- - - - -	A8	CPERST#
GND	A9	- - - - -	B1	GND
GND	B1	- - - - -	A9	GND
RSVD	B2	NC	B2	RSVD
CWAKE#	B3	- - - - -	B3	CWAKE#
CPRSNT#	B4	- - - - -	B4	CPRSNT#
GND	B5	- - - - -	B5	GND
PWR	B6	NC	B6	PWR
CPWRON	B7	- - - - -	B7	CPWRON
PETn0	B8	- - - -	A1	PERn0
PETp0	B9	- - - -	A2	PERp0

AWG	24	26	TOLERANCE
D8	6.5	5.80	±0.4
D10	29.25	26.10	MIN
D9	35.6	32.45	MIN
D3	34.00	34.00	BASIC
D11	75.95	72.80	MIN

ADD 745760008/9 EC NO: CPG2012-1684 DRWN:ZYU 2012/05/31 CHKD:SALLY CUI 2012/05/31 APPR:CLAN01 2012/05/31 G	DESCRIPTION REV	QUALITY SYMBOLS $F_{\Delta} = 0$ $F_{\sigma} = 0$ $F_{\beta} = 0$	GENERAL TOLERANCES (UNLESS SPECIFIED) mm INCH 4 PLACES ± --- ± --- 3 PLACES ± --- ± .020 2 PLACES ± 0.5 ± --- 1 PLACE ± --- ± --- 0 PLACE ± --- ± ---	DIMENSION STYLE MM ONLY DRAWN BY K. PHILLIPS DATE 2005/12/21 CHECKED BY T. HALL DATE 2005/12/21 APPROVED BY O. DOYE DATE 2005/12/21	SCALE - - -	DESIGN UNITS METRIC	THIRD ANGLE PROJECTION
		ANGULAR ± 1 ° DRAFT WHERE APPLICABLE MUST REMAIN WITHIN DIMENSIONS	MATERIAL NO. SEE CHART	DOCUMENT NO. SD-74576-000	SHEET NO. 2 OF 2		
		THIS DRAWING CONTAINS INFORMATION THAT IS PROPRIETARY TO MOLEX INCORPORATED AND SHOULD NOT BE USED WITHOUT WRITTEN PERMISSION					
		TITLE 1X PCIE CABLE ASSEMBLY molex					

AMEYA360

Components Supply Platform

Authorized Distribution Brand :



Website :

Welcome to visit www.ameya360.com

Contact Us :

➤ Address :

401 Building No.5, JiuGe Business Center, Lane 2301, Yishan Rd
Minhang District, Shanghai , China

➤ Sales :

Direct +86 (21) 6401-6692

Email amall@ameya360.com

QQ 800077892

Skype [ameyasales1](#) [ameyasales2](#)

➤ Customer Service :

Email service@ameya360.com

➤ Partnership :

Tel +86 (21) 64016692-8333

Email mkt@ameya360.com