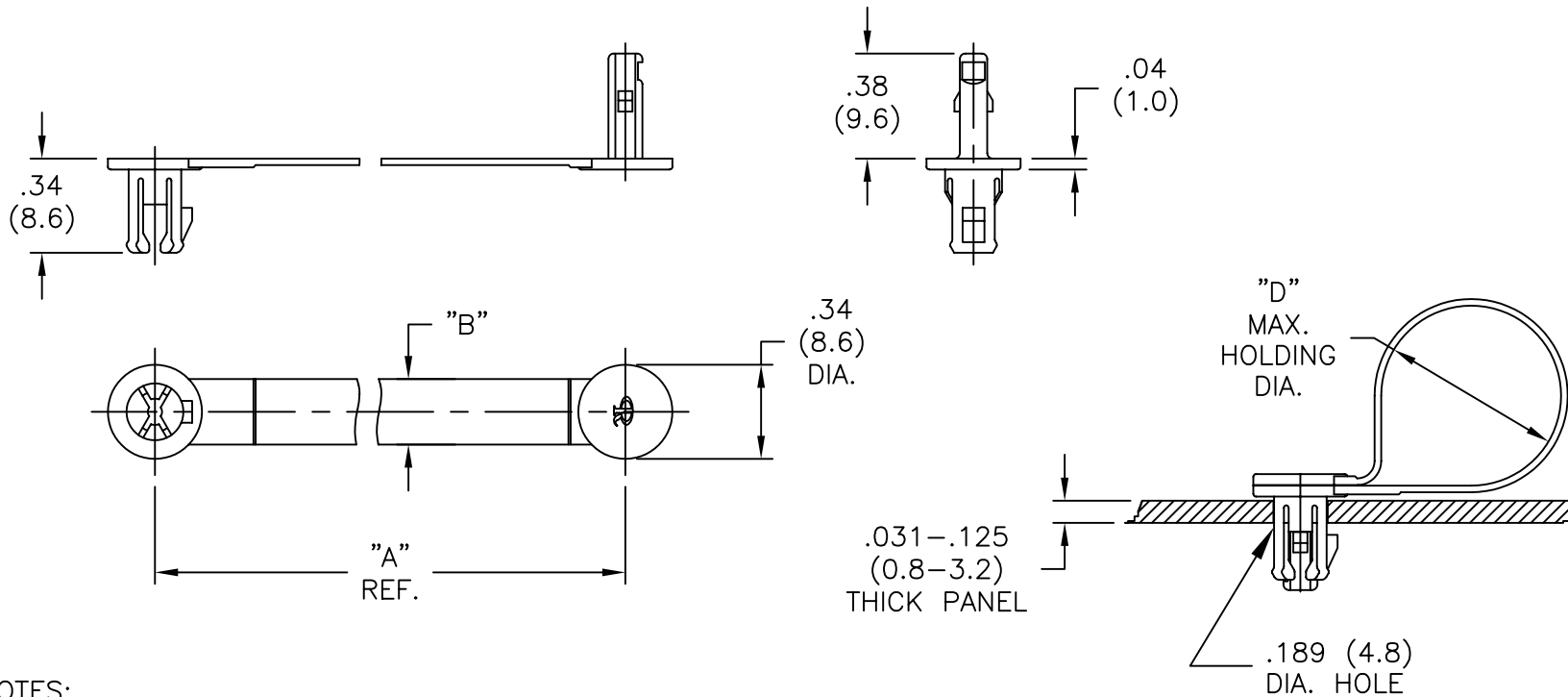


PART NO.	DIM "A" REF.	DIM "B"	"D" MAX. HOLDING DIA.
RSC-3-01	1.10 (28.0)	.16 (4.0)	7/32 (5.6)
RSC-4-01	1.30 (33.0)	.24 (6.0)	1/4 (6.4)
RSC-6-01	1.69 (43.0)	.24 (6.0)	3/8 (9.5)
RSC-9-01	2.48 (63.0)	.24 (6.0)	5/8 (15.9)



NOTES:

- MAT'L: NYLON 6/6 (RMS-01).
- COLOR: BLACK.

TITLE: RICHCO SPEED CLAMPS				DWG IN IN (MM)	FINAL	QR
TOLERANCES UNLESS NOTED .XX=±.010 .XXX=±.005 FRAC=±1/64 ANG=±1°	FILE # RSC	DWN: J.B.	DT: 07-30-96	PART #		PRINT TYPE
	MAT'L: SEE NOTES	CHKD:	ENGR:	SEE TABLE		CA
	RE: RICHCO, INC.	RICHCO INC. PO BOX 804238, CHICAGO, 60680 (773) 539-4060				

A	CHANGED FILE NO.	SM 10.17.02
REV	DESCRIPTION	ENGR DATE

AMEYA360

Components Supply Platform

Authorized Distribution Brand :



Website :

Welcome to visit www.ameya360.com

Contact Us :

➤ Address :

401 Building No.5, JiuGe Business Center, Lane 2301, Yishan Rd
Minhang District, Shanghai , China

➤ Sales :

Direct +86 (21) 6401-6692

Email amall@ameya360.com

QQ 800077892

Skype [ameyasales1](#) [ameyasales2](#)

➤ Customer Service :

Email service@ameya360.com

➤ Partnership :

Tel +86 (21) 64016692-8333

Email mkt@ameya360.com