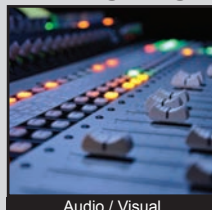


TL1014 SERIES TACT SWITCH

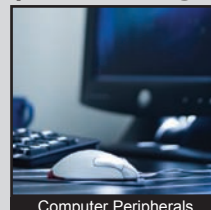
ANTI-VANDAL SWITCHES
DETECTOR SWITCHES
DIP SWITCHES
KEYLOCK SWITCHES
NAVIGATION SWITCHES
PUSHBUTTON SWITCHES
ROCKER SWITCHES
ROTARY SWITCHES
SLIDE SWITCHES
SNAP ACTION SWITCHES
TACTILE SWITCHES
TOGGLE SWITCHES
CAP OPTIONS



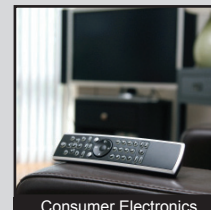
APPLICATIONS / MARKETS



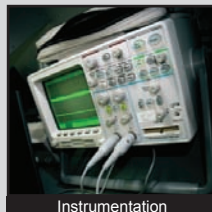
Audio / Visual



Computer Peripherals



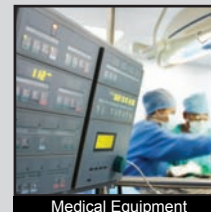
Consumer Electronics



Instrumentation



Telecommunication



Medical Equipment

RoHS

SPECIFICATIONS

Electrical Rating: 50mA @ 12VDC

Life Expectancy:

160 gf: 200,000 cycles

220 gf: 100,000 cycles

Contact Resistance: 100mΩ Max. Initial

Insulation Resistance: 100 MΩ Min. at 500V

Dielectric Strength: 250VAC for 1 min.

Operating/Storage Temperature: -40°C to 85°C

Operating Force: 160 gf, 220 gf

Travel:

160 gf: 0.25mm

220 gf: 0.30mm

Contact Arrangement: SPST

FEATURES & BENEFITS

- Tape & Reel packaging
- Multiple operating forces
- Surface mount termination
- Right angle design
- Subminiature in size

PART NUMBER CONFIGURATOR

Series	Boss	Actuation Force	Contact Plating	Termination
<input type="checkbox"/> <input type="checkbox"/> <input type="checkbox"/> <input type="checkbox"/> <input type="checkbox"/> <input type="checkbox"/> TL1014	<input type="checkbox"/> A - No boss B - Boss	<input type="checkbox"/> <input type="checkbox"/> <input type="checkbox"/> <input type="checkbox"/> F160 - 160 gf F220 - 220 gf	<input type="checkbox"/> Q - Silver	<input type="checkbox"/> G - Gullwing

Specifications subject to change without notice



E-SWITCH®

www.e-switch.com

800.867.2717

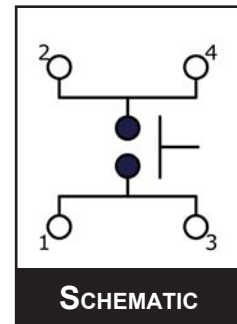
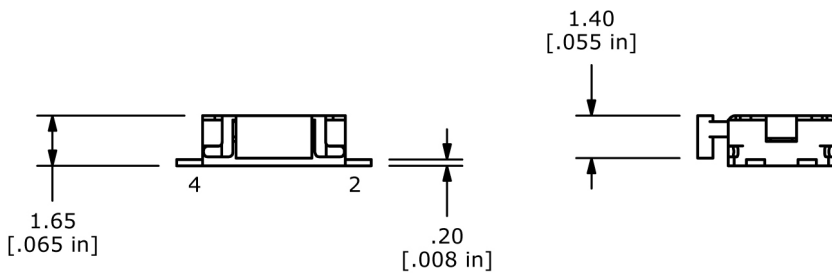
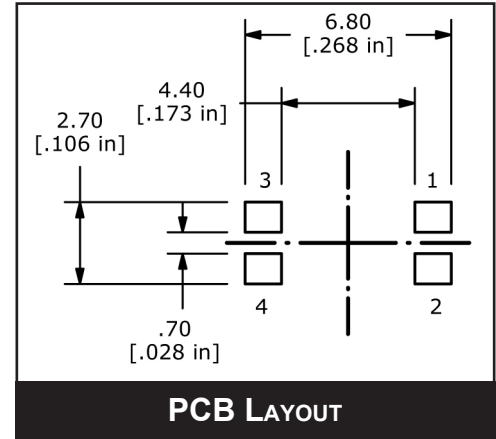
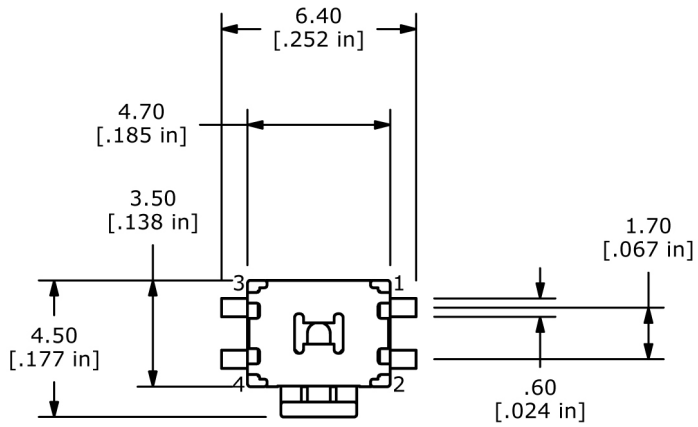
2

TL1014 SERIES TACT SWITCH

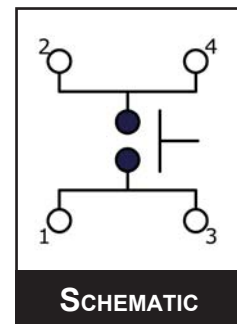
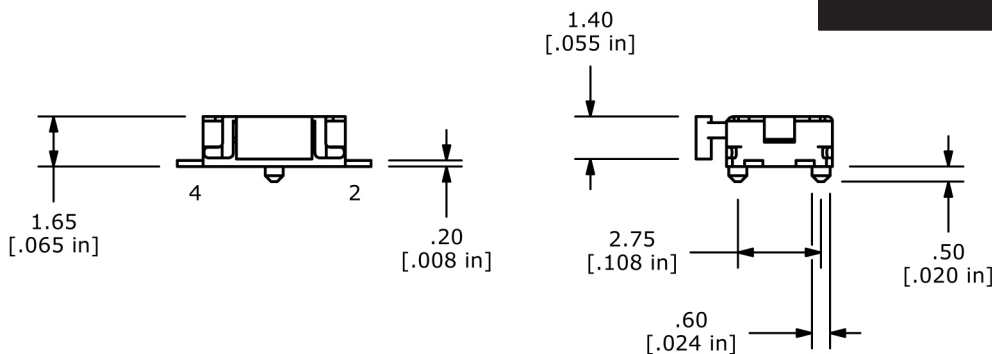
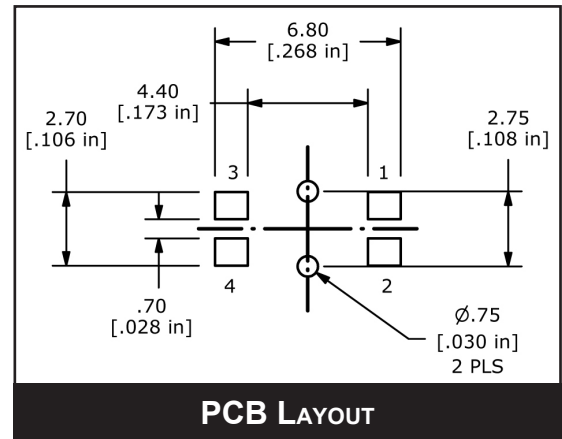
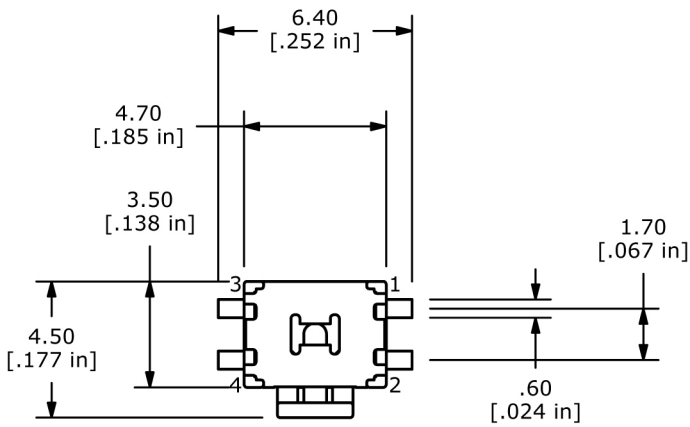
ANTI-VANDAL SWITCHES
 DETECTOR SWITCHES
 DIP SWITCHES
 KEYLOCK SWITCHES
 NAVIGATION SWITCHES
 PUSHBUTTON SWITCHES
 ROCKER SWITCHES
 ROTARY SWITCHES
 SLIDE SWITCHES
 SNAP ACTION SWITCHES
 TACTILE SWITCHES
 TOGGLE SWITCHES
 CAP OPTIONS

BODY DIMENSIONS

A - No Boss



B - With Boss



AMEYA360

Components Supply Platform

Authorized Distribution Brand :



Website :

Welcome to visit www.ameya360.com

Contact Us :

➤ Address :

401 Building No.5, JiuGe Business Center, Lane 2301, Yishan Rd
Minhang District, Shanghai , China

➤ Sales :

Direct +86 (21) 6401-6692

Email amall@ameya360.com

QQ 800077892

Skype [ameyasales1](#) [ameyasales2](#)

➤ Customer Service :

Email service@ameya360.com

➤ Partnership :

Tel +86 (21) 64016692-8333

Email mkt@ameya360.com