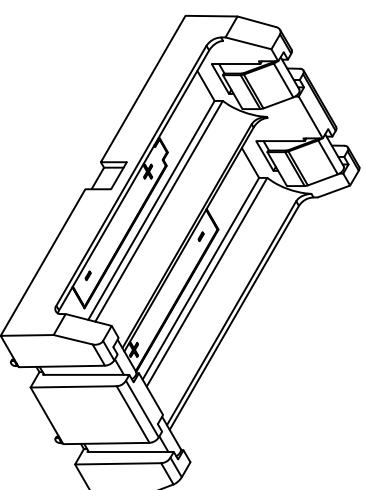
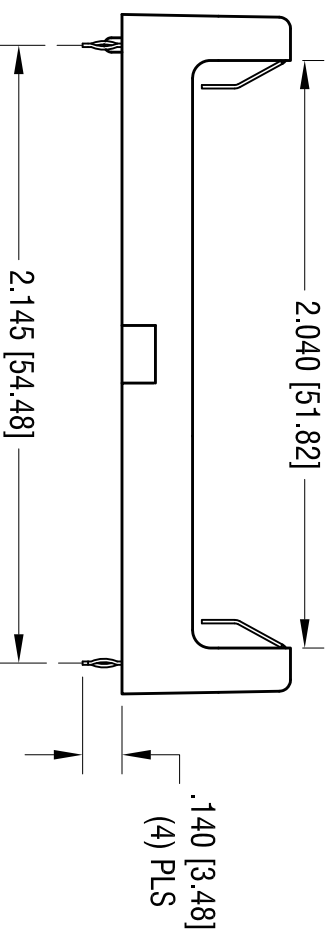
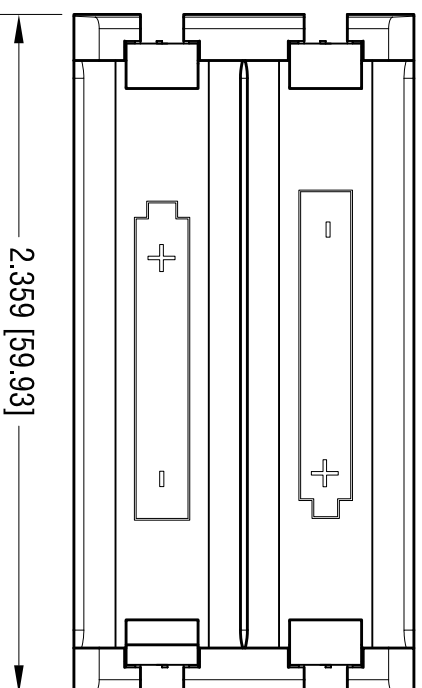
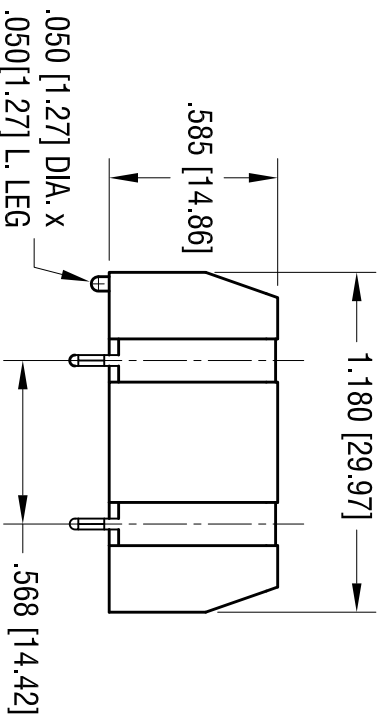
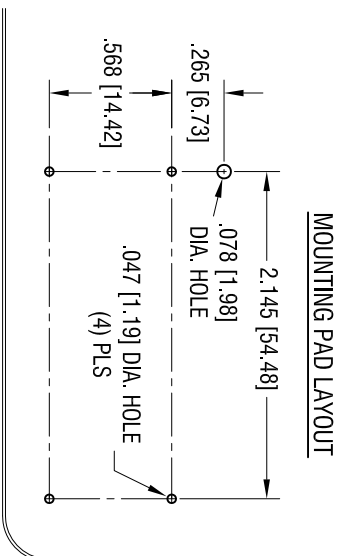


**MOUNTING PAD LAYOUT**



- NOTE:**
1. BASE:  
MATE'L: HEAT RESISTANCE NYLON  
(UL 94V-0)
  2. CONTACT:  
MATE'L: .012 [0.30] THK STAINLESS STEEL  
FINISH: TIN NICKEL PLATE.

DATE	DESCRIPTION	REV.
10.08.13	CHANGE AS PER ECN 13-091	B

**KEYSTONE ELECTRONICS CORP.**  
 www.keyelco.com • ASTORIA, N.Y. 11105-2017 • Tel (718) 956-8900

**PART NAME**  
THM BATTERY HOLDER, (2) AA

**MATERIAL**  
AS NOTED

**FINISH**  
AS NOTED

DRN BY	NT	DATE	5.18.10
APP'D	LN	SCALE	1.5X

TOLERANCES	INCH	[MM]	CODE	DWG NO.
DECIMAL	± .010	[± 0.25]	C	1013
ANGULAR	± 1°			

UNLESS OTHERWISE SPECIFIED

THIS DOCUMENT IS THE PROPERTY OF  
 KEYSTONE ELECTRONICS CORP. AND  
 SHALL NOT BE REPRODUCED, DISTRIBUTED  
 OR USED AS A BASIS FOR MANUFACTURE  
 WITHOUT PRIOR WRITTEN PERMISSION  
 FROM KEYSTONE ELECTRONICS CORP.

# AMEYA360

## Components Supply Platform

Authorized Distribution Brand :



Website :

Welcome to visit [www.ameya360.com](http://www.ameya360.com)

Contact Us :

➤ Address :

401 Building No.5, JiuGe Business Center, Lane 2301, Yishan Rd  
Minhang District, Shanghai , China

➤ Sales :

Direct +86 (21) 6401-6692

Email [amall@ameya360.com](mailto:amall@ameya360.com)

QQ 800077892

Skype [ameyasales1](#) [ameyasales2](#)

➤ Customer Service :

Email [service@ameya360.com](mailto:service@ameya360.com)

➤ Partnership :

Tel +86 (21) 64016692-8333

Email [mkt@ameya360.com](mailto:mkt@ameya360.com)