

## Single, Digitally Controlled (XDCP™) Potentiometer

The X9271 integrates a single, digitally controlled potentiometer (XDCP™) on a monolithic CMOS integrated circuit.

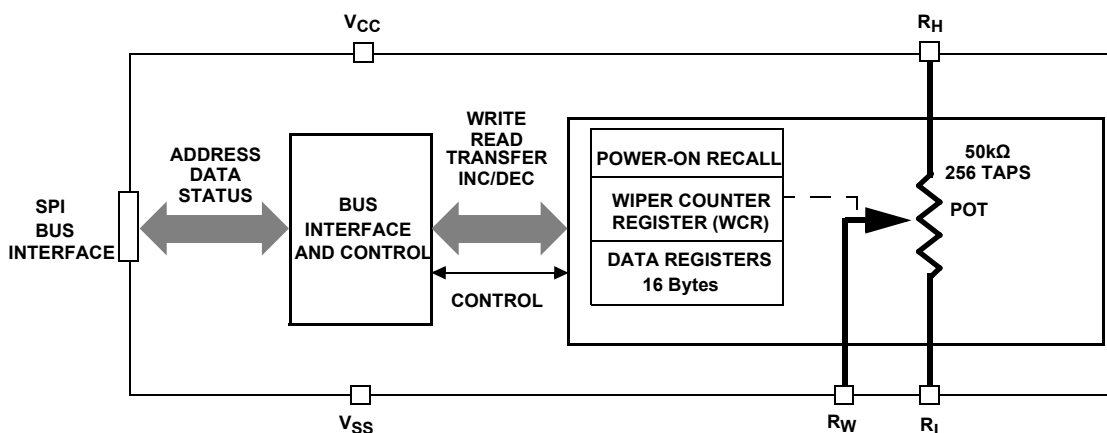
The digitally controlled potentiometer is implemented by using 255 resistive elements in a series array. Between each element are tap points connected to the wiper terminal through switches. The position of the wiper on the array is controlled by the user through the SPI bus interface. The potentiometer has associated with it a volatile Wiper Counter Register (WCR) and four nonvolatile data registers that can be directly written to and read by the user. The contents of the WCR control the position of the wiper on the resistor array through the switches. Power-up recalls the contents of the default data register (DR0) to the WCR.

The XDCP can be used as a three-terminal potentiometer or as a two-terminal variable resistor in a wide variety of applications including control, parameter adjustments, and signal processing.

## Features

- 256 Resistor Taps
- SPI Serial Interface for Write, Read, and Transfer Operations of Potentiometer
- Wiper Resistance, 100Ω typical at  $V_{CC} = 5V$
- 16 Nonvolatile Data Registers
- Nonvolatile Storage of Multiple Wiper Positions
- Power-on Recall; Loads Saved Wiper Position on Power-up
- Standby Current  $<3\mu A$  Max
- $V_{CC} = 2.7V$  to  $5.5V$  Operation
- 50kΩ End-to-End Resistance
- 100-yr Data Retention
- Endurance: 100,000 Data Changes per Bit per Register
- 14-Lead TSSOP
- Low-power CMOS
- Pb-Free Plus Anneal Available (RoHS Compliant)

## Functional Diagram



## Ordering Information

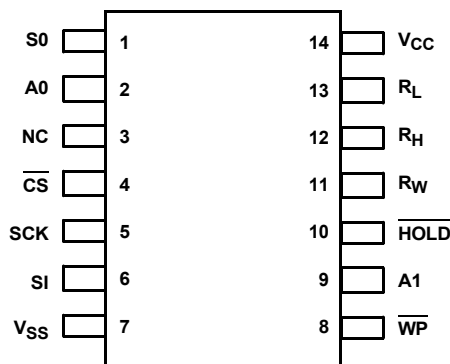
PART NUMBER (Notes 2, 3)	PART MARKING	V <sub>CC</sub> LIMITS (V)	POTENTIOMETER ORGANIZATION (kΩ)	TEMP. RANGE (°C)	PACKAGE Pb-Free	PKG. DWG. #
X9271UV14IZ (Note 1)	X9271 UVZI	5 ±10%	50	-40 to +85	14 Ld TSSOP (4.4mm)	M14.173
X9271UV14Z (Note 1)	X9271 UVZ	5 ±10%	50	0 to +70	14 Ld TSSOP (4.4mm)	M14.173
X9271UV14IZ-2.7	X9271 UVZG	2.7 to 5.5	50	-40 to +85	14 Ld TSSOP (4.4mm)	M14.173
X9271UV14IZ-2.7T1	X9271 UVZG	2.7 to 5.5	50	-40 to +85	14 Ld TSSOP (4.4mm)	M14.173
X9271UV14Z-2.7	X9271 UVZF	2.7 to 5.5	50	0 to +70	14 Ld TSSOP (4.4mm)	M14.173
X9271UV14Z-2.7T1	X9271 UVZF	2.7 to 5.5	50	0 to +70	14 Ld TSSOP (4.4mm)	M14.173

NOTES:

1. Add "-T\*" suffix for tape and reel. Please refer to [TB347](#) for details on reel specifications.
2. These Intersil Pb-free plastic packaged products employ special Pb-free material sets, molding compounds/die attach materials, and 100% matte tin plate plus anneal (e3 termination finish, which is RoHS compliant and compatible with both SnPb and Pb-free soldering operations). Intersil Pb-free products are MSL classified at Pb-free peak reflow temperatures that meet or exceed the Pb-free requirements of IPC/JEDEC J STD-020.
3. For Moisture Sensitivity Level (MSL), please see device information page for [X9271](#). For more information on MSL please see Tech Brief [TB363](#).

## Pin Configuration

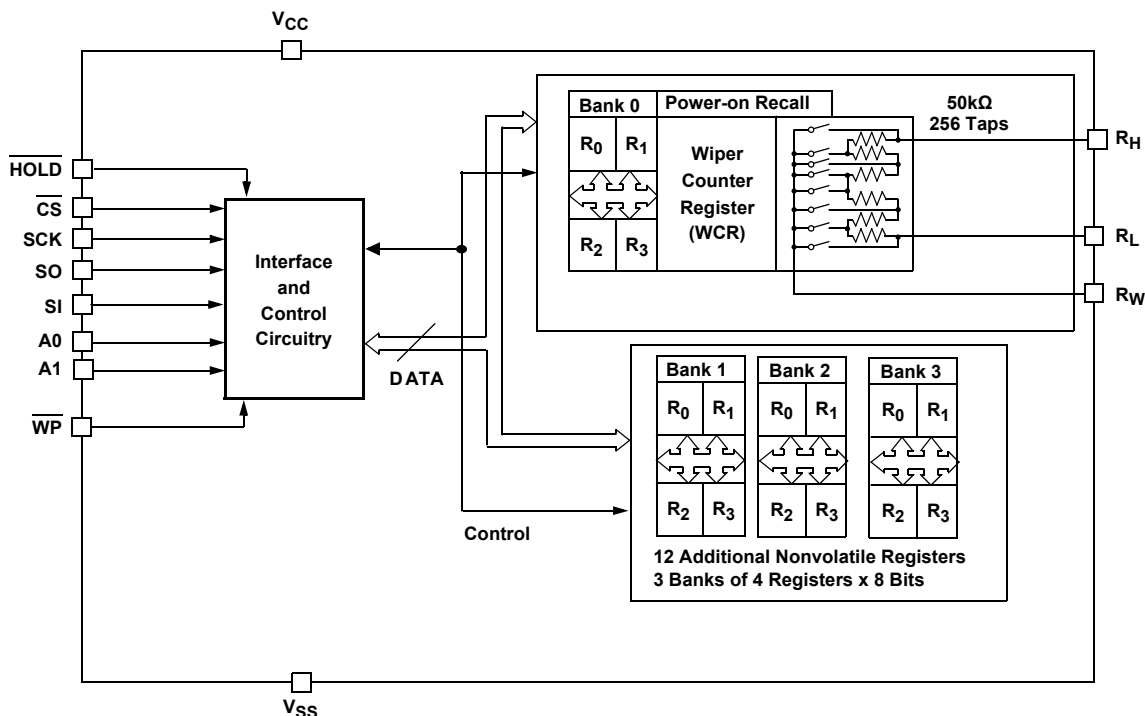
X9271  
14 LD TSSOP  
TOP VIEW



## Pin Descriptions

PIN NUMBER	PIN NAME	FUNCTION
1	SO	Serial Data Output
2	A0	Device Address
3	NC	No Connect
4	$\overline{CS}$	Chip Select
5	SCK	Serial Clock
6	SI	Serial Data Input
7	V <sub>SS</sub>	System Ground
8	$\overline{WP}$	Hardware Write Protect
9	A1	Device Address
10	$\overline{HOLD}$	Device Select. Pause the serial bus.
11	R <sub>W</sub>	Wiper Terminal of Potentiometer
12	R <sub>H</sub>	High Terminal of Potentiometer
13	R <sub>L</sub>	Low Terminal of Potentiometer
14	V <sub>CC</sub>	System Supply Voltage

## Detailed Functional Diagram



### Circuit-Level Applications

- Vary the gain of a voltage amplifier.
- Provide programmable DC reference voltages for comparators and detectors.
- Control the volume in audio circuits.
- Trim out the offset voltage error in a voltage amplifier circuit.
- Set the output voltage of a voltage regulator.
- Trim the resistance in Wheatstone bridge circuits.
- Control the gain, characteristic frequency, and Q-factor in filter circuits.
- Set the scale factor and zero point in sensor signal conditioning circuits.
- Vary the frequency and duty cycle of timer ICs.
- Vary the DC biasing of a pin diode attenuator in RF circuits.
- Provide a control variable (I, V, or R) in feedback circuits.

### System-Level Applications

- Adjust the contrast in LCD displays.
- Control the power level of LED transmitters in communication systems.
- Set and regulate the DC biasing point in an RF power amplifier in wireless systems.
- Control the gain in audio and home entertainment systems.
- Provide the variable DC bias for tuners in RF wireless systems.
- Set the operating points in temperature control systems.
- Control the operating point for sensors in industrial systems.
- Trim offset and gain errors in artificial intelligence systems.

## Pin Descriptions

### Bus Interface Pins

#### SERIAL OUTPUT (SO)

The Serial Output (SO) is the serial data output pin. During a read cycle, data is shifted out on this pin. Data is clocked out by the falling edge of the serial clock.

#### SERIAL INPUT (SI)

The Serial Input (SI) is the serial data input pin. All operational codes, byte addresses, and data to be written to the potentiometers and potentiometer registers are input on this pin. Data is latched by the rising edge of the serial clock.

#### SERIAL CLOCK (SCK)

The Serial Clock (SCK) input is used to clock data into and out of the X9271.

#### HOLD ( $\overline{\text{HOLD}}$ )

$\overline{\text{HOLD}}$  is used in conjunction with the  $\overline{\text{CS}}$  pin to select the device. Once the part is selected and a serial sequence is under way,  $\overline{\text{HOLD}}$  may be used to pause the serial communication with the controller without resetting the serial sequence. To pause,  $\overline{\text{HOLD}}$  must be brought LOW while SCK is LOW. To resume communication,  $\overline{\text{HOLD}}$  is brought HIGH, again while SCK is LOW. If the pause feature is not used,  $\overline{\text{HOLD}}$  should be held HIGH at all times. CMOS level input.

#### DEVICE ADDRESS (A1 - A0)

The Device Address (A1 - A0) inputs are used to set the 8-bit slave address. A match in the slave address serial data stream must be made with the address input in order to initiate communication with the X9271.

#### CHIP SELECT ( $\overline{\text{CS}}$ )

When Chip Select ( $\overline{\text{CS}}$ ) is HIGH, the X9271 is deselected, the SO pin is at high impedance and (unless an internal write cycle is under way) the device is in standby state.  $\overline{\text{CS}}$  LOW enables the X9271, placing it in the active power mode. It should be noted that after a power-up, a HIGH to LOW transition on  $\overline{\text{CS}}$  is required prior to the start of any operation.

### Potentiometer Pins

#### R<sub>H</sub>, R<sub>L</sub>

The R<sub>H</sub> and R<sub>L</sub> pins are equivalent to the terminal connections on a mechanical potentiometer.

#### R<sub>W</sub>

The wiper pin (R<sub>W</sub>) is equivalent to the wiper terminal of a mechanical potentiometer.

### Supply Pins

#### SYSTEM SUPPLY VOLTAGE (V<sub>CC</sub>) AND SUPPLY GROUND (V<sub>SS</sub>)

The System Supply Voltage (V<sub>CC</sub>) pin is the system supply voltage. The Supply Ground (V<sub>SS</sub>) pin is the system ground.

### Other Pins

#### HARDWARE WRITE PROTECT INPUT ( $\overline{\text{WP}}$ )

The Hardware Write Protect Input ( $\overline{\text{WP}}$ ) pin, when LOW, prevents nonvolatile writes to the data registers.

#### NO CONNECT

No Connect pins should be left floating. These pins are used for Intersil manufacturing and testing purposes.

## Principles of Operation

### Device Description

#### SERIAL INTERFACE

The X9271 supports the SPI interface hardware conventions. The device is accessed via the SI input with data clocked in on the rising SCK.  $\overline{\text{CS}}$  must be LOW and the  $\overline{\text{HOLD}}$  and  $\overline{\text{WP}}$  pins must be HIGH during the entire operation.

The SO and SI pins can be connected together, since they have three-state outputs. This can help to reduce system pin count.

#### ARRAY DESCRIPTION

The X9271 is composed of a resistor array ([Figure 1](#)). The array contains the equivalent of 255 discrete resistive segments that are connected in series. The physical ends of each array are equivalent to the fixed terminals of a mechanical potentiometer (R<sub>H</sub> and R<sub>L</sub> inputs).

At both ends of each array and between each resistor segment is a CMOS switch connected to the wiper (R<sub>W</sub>) output. Within each individual array, only one switch may be turned on at a time.

These switches are controlled by a Wiper Counter Register (WCR). The eight bits of the WCR (WCR[7:0]) are decoded to select, and enable, one of 256 switches ([Table 1](#)).

#### POWER-UP AND POWER-DOWN RECOMMENDATIONS

There are no restrictions on the power-up or power-down conditions of V<sub>CC</sub> and the voltages applied to the potentiometer pins, provided that V<sub>CC</sub> is always more positive than or equal to V<sub>H</sub>, V<sub>L</sub>, and V<sub>W</sub>; i.e., V<sub>CC</sub> ≥ V<sub>H</sub>, V<sub>L</sub>, V<sub>W</sub>. The V<sub>CC</sub> ramp rate specification is always in effect.

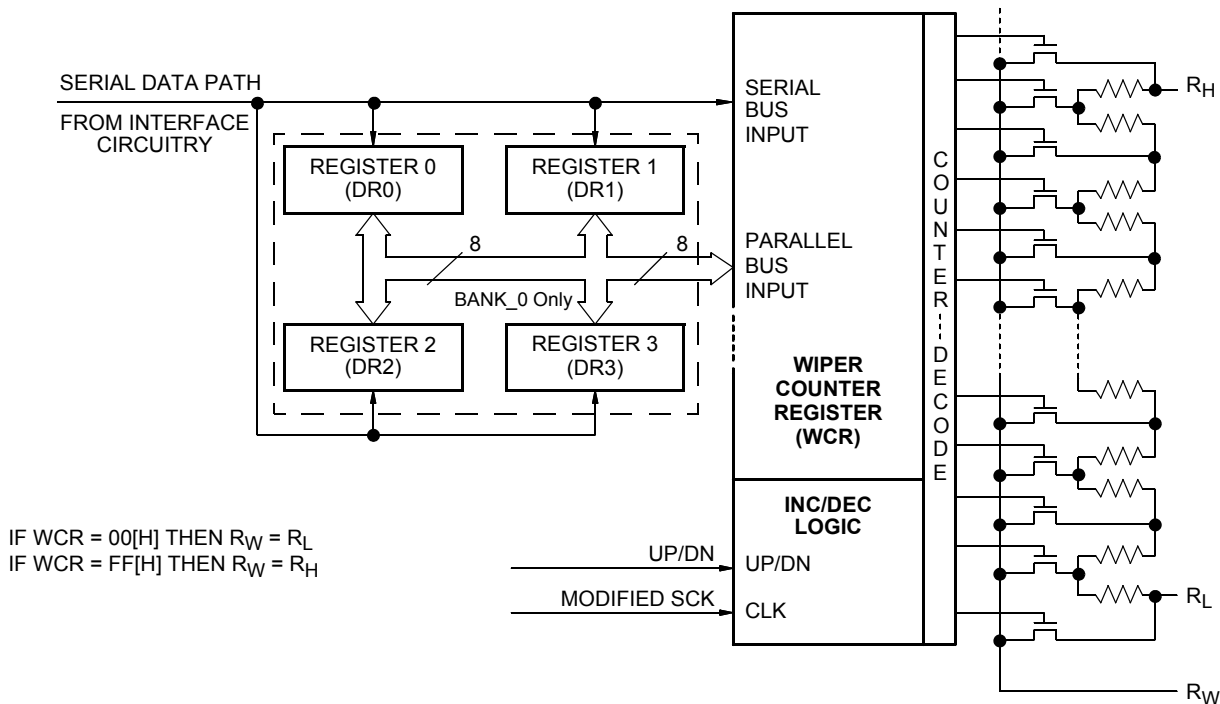


FIGURE 1. DETAILED POTENTIOMETER BLOCK DIAGRAM

## Device Description

### Wiper Counter Register (WCR)

The X9271 contains a Wiper Counter Register (WCR) for the DCP potentiometer. The WCR can be envisioned as an 8-bit parallel and serial load counter, with its outputs decoded to select one of 256 switches along its resistor array (Table 1). The contents of the WCR can be altered in four ways:

1. It can be written directly by the host via the Write Wiper Counter Register instruction (serial load).
2. It can be written indirectly by transferring the contents of one of four associated data registers via the XFR Data Register instruction (parallel load).
3. It can be modified one step at a time by the Increment/Decrement instruction.
4. It is loaded with the contents of its Data Register zero (DR0) upon power-up.

The WCR is a volatile register; that is, its contents are lost when the X9271 is powered down. Although the register is automatically loaded with the value in DR0 upon power-up, this may be different from the value present at power-down. Power-up guidelines are recommended to ensure proper loading of the R0 value into the WCR. The DR0 value of Bank 0 is the default value.

### Data Registers (DR3–DR0)

The potentiometer has four 8-bit nonvolatile Data Registers. These can be read or written directly by the host (Table 2). Data can also be transferred between any of the four Data

Registers and the associated WCR. All operations changing data in one of the Data Registers are nonvolatile operations and take a maximum of 10ms.

If the application does not require storage of multiple settings for the potentiometer, the Data Registers can be used as regular memory locations for system parameters or user preference data.

Bits [7:0] are used to store one of the 256 wiper positions or data (0 ~255).

### Status Register (SR)

The 1-bit Status Register is used to store the system status (Table 3).

WIP: Write In Progress status bit; read only.

- WIP = 1 indicates that a high-voltage write cycle is in progress.
- WIP = 0 indicates that no high-voltage write cycle is in progress

TABLE 1. WIPER COUNTER REGISTER, WCR (8-bit), WCR[7:0]: Used to store current wiper position (Volatile, V)

WCR7	WCR6	WCR5	WCR4	WCR3	WCR2	WCR1	WCR0
V	V	V	V	V	V	V	V
(MSB)							(LSB)

**TABLE 2. DATA REGISTER, DR (8-BIT), DR[7:0]: Used to store wiper positions or data (Nonvolatile, NV)**

BIT 7	BIT 6	BIT 5	BIT 4	BIT 3	BIT 2	BIT 1	BIT 0
NV	NV	NV	NV	NV	NV	NV	NV
MSB							LSB

**TABLE 3. STATUS REGISTER, SR (WIP is 1-bit)**

WIP
(LSB)

## Device Description

### Instructions

#### IDENTIFICATION BYTE (ID AND A)

The first byte sent to the X9271 from the host, following a CS going HIGH to LOW, is called the Identification byte. The most significant four bits of the slave address are a device type identifier. The ID[3:0] bit is the device ID for the X9271; this is fixed as 0101[B] ([Table 4](#)).

The A1 - A0 bits in the ID byte are the internal slave address. The physical device address is defined by the state of the A1 - A0 input pins. The slave address is externally specified by the user. The X9271 compares the serial data stream with the address input state; a successful compare of both address bits is required for the X9271 to successfully continue the command sequence. Only the device for which slave address matches the incoming device address sent by the master executes the instruction. The A1 - A0 inputs can be actively driven by CMOS input signals or tied to V<sub>CC</sub> or V<sub>SS</sub>.

#### INSTRUCTION BYTE (I[3:0])

The next byte sent to the X9271 contains the instruction and register pointer information. The three most significant bits are used to provide the instruction operation code (I[3:0]). The RB and RA bits point to one of the four Data Registers. P0 is the POT selection; since the X9271 is single POT, P0 = 0. The format is shown in [Table 7](#).

#### REGISTER BANK SELECTION (R1, R0, P1, P0)

There are 16 registers organized into four banks. Bank 0 is the default bank of registers. Only Bank 0 registers can be used for the data register to Wiper Counter Register operations.

Banks 1, 2, and 3 are additional banks of registers (12 total) that can be used for SPI write and read operations. The data registers in Banks 1, 2, and 3 cannot be used for direct read/write operations to the Wiper Counter Register ([Tables 5 and 6](#)).

**TABLE 4. IDENTIFICATION BYTE FORMAT**

DEVICE TYPE IDENTIFIER				SET TO 0 FOR PROPER OPERATION		INTERNAL SLAVE ADDRESS	
ID3	ID2	ID1	ID0	0	0	A1	A0
0	1	0	1				
(MSB)							(LSB)

**TABLE 5. REGISTER SELECTION (DR0 TO DR3)**

RB	RA	REGISTER SELECTION	OPERATIONS
0	0	0	Data Register Read and Write; Wiper Counter Register Operations
0	1	1	Data Register Read and Write; Wiper Counter Register Operations
1	0	2	Data Register Read and Write; Wiper Counter Register Operations
1	1	3	Data Register Read and Write; Wiper Counter Register Operations

**TABLE 6. REGISTER BANK SELECTION (BANK 0 TO BANK 3)**

P1	P0	BANK SELECTION	OPERATIONS
0	0	0	Data Register Read and Write; Wiper Counter Register Operations
0	1	1	Data Register Read and Write Only
1	0	2	Data Register Read and Write Only
1	1	3	Data Register Read and Write Only

**TABLE 7. INSTRUCTION BYTE FORMAT**

INSTRUCTION OPCODE				REGISTER SELECTION		REGISTER BANK SELECTION FOR SP1 REGISTER WRITE AND READ OPERATIONS)	
						POTENTIOMETER SELECTION (WCR SELECTION) ( <a href="#">Note 4</a> )	
I3	I2	I1	P0	RB	RA	P1	P0
(MSB)							(LSB)

NOTE:

- Set to P0 = 0 for potentiometer operations.

## Device Description

### Instructions

Five of the eight instructions are three bytes in length. These instructions are:

- **Read Wiper Counter Register:** Read the current wiper position of the potentiometer.
- **Write Wiper Counter Register:** Change current wiper position of the potentiometer.
- **Read Data Register:** Read the contents of the selected Data Register.
- **Write Data Register:** Write a new value to the selected Data Register.
- **Read Status:** This command returns the contents of the WIP bit, which indicates if the internal write cycle is in progress.

See [Table 8](#) for details of the instruction set.

The basic sequence of the 3-byte instruction is shown in [Figure 2](#). These 3-byte instructions exchange data between the WCR and one of the Data Registers. A transfer from a Data Register to a WCR is essentially a write to a static RAM, with the static RAM controlling the wiper position. The response of the wiper to this action is delayed by  $t_{WRL}$ . A transfer from the WCR (current wiper position) to a Data Register is a write to nonvolatile memory and takes a minimum of  $t_{WR}$  to complete. The transfer can occur between one of the four potentiometers and one of its associated registers, or it may occur globally, where the transfer occurs between all potentiometers and one

associated register. The Read Status Register instruction is the only unique format ([Figure 3](#)).

Two instructions require a 2-byte sequence to complete ([Figure 4](#)). These instructions transfer data between the host and the X9271; either between the host and one of the data registers, or directly between the host and the Wiper Counter Register. These instructions are:

- **XFR Data Register to Wiper Counter Register:** Transfers the contents of one specified Data Register to the associated Wiper Counter Register.
- **XFR Wiper Counter Register to Data Register:** Transfers the contents of the specified Wiper Counter Register to the associated Data Register.

The final command is Increment/Decrement ([Figures 5](#) and [6](#)). It is different from the other commands, because its length is indeterminate. Once the command is issued, the master can clock the selected wiper up and/or down in one resistor segment step, thereby providing a fine-tuning capability to the host. For each SCK clock pulse ( $t_{HIGH}$ ) while SI is HIGH, the selected wiper moves one resistor segment towards the  $R_H$  terminal. Similarly, for each SCK clock pulse while SI is LOW, the selected wiper moves one resistor segment towards the  $R_L$  terminal.

### Write-in-Process (WIP) Bit

The contents of the Data Registers are saved to nonvolatile memory when the  $\overline{CS}$  pin goes from LOW to HIGH after a complete write sequence is received by the device. The progress of this internal write operation can be monitored by the Write-in-Process bit (WIP). The WIP bit is read with a Read Status command.

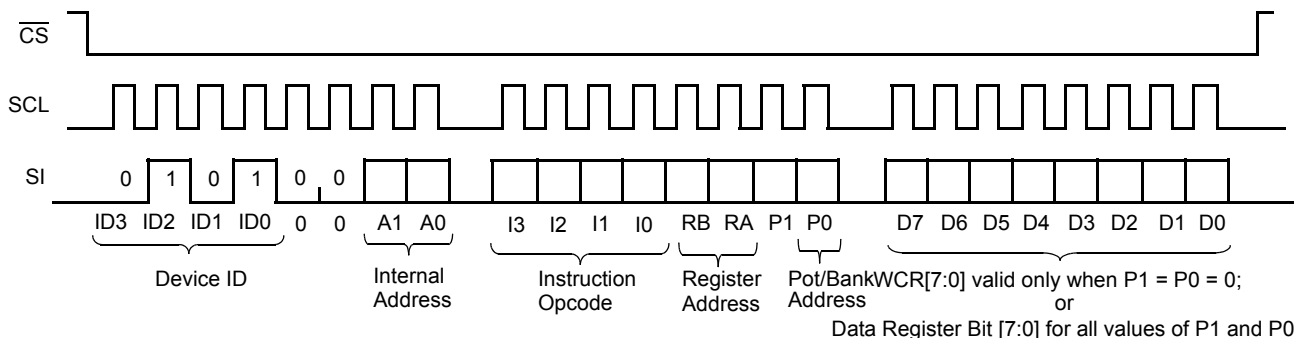


FIGURE 2. THREE-BYTE INSTRUCTION SEQUENCE (WRITE)

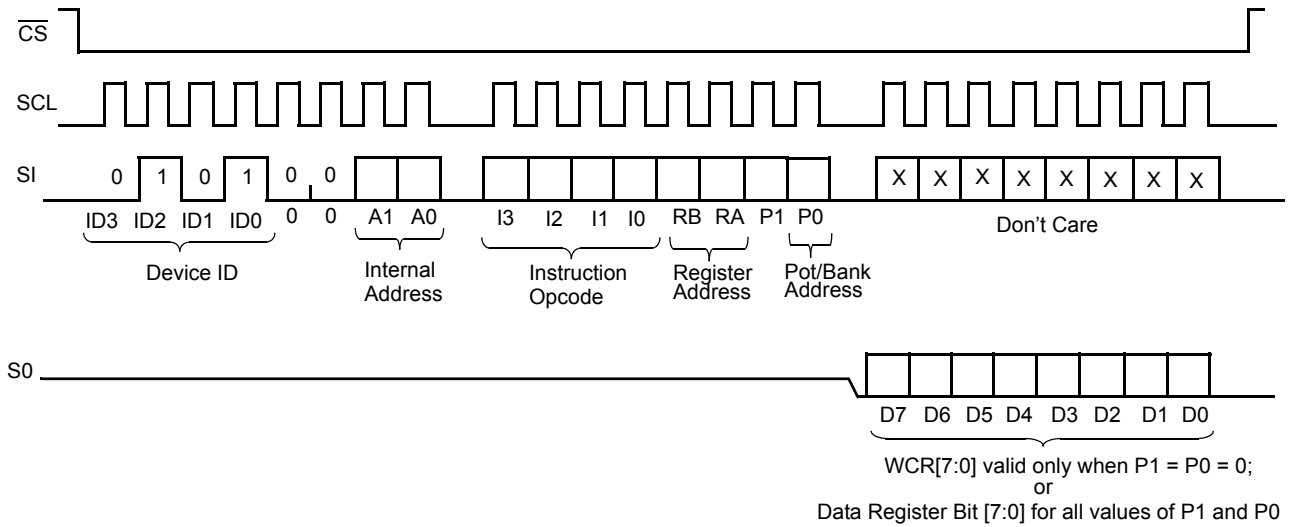
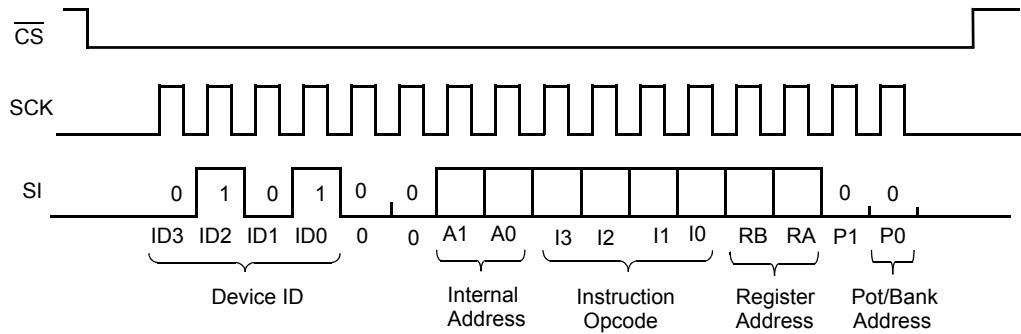


FIGURE 3. THREE-BYTE INSTRUCTION SEQUENCE (READ)



These commands only valid when P1 = P0 = 0

FIGURE 4. TWO-BYTE INSTRUCTION SEQUENCE

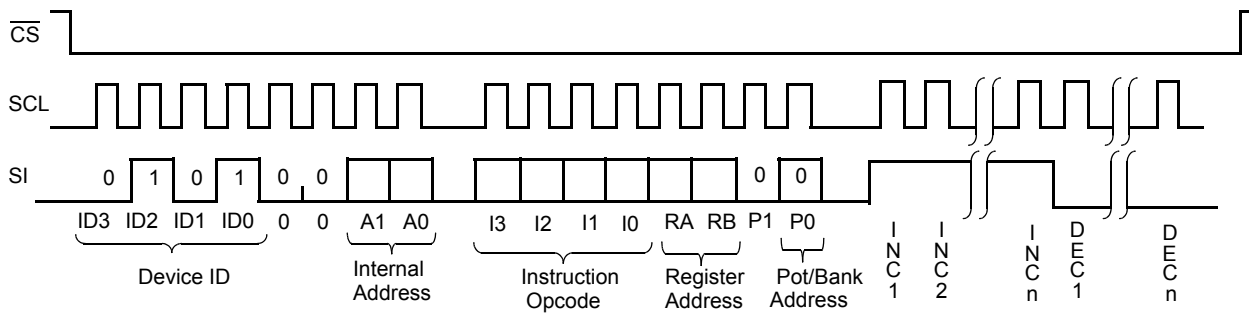


FIGURE 5. INCREMENT/DECREMENT INSTRUCTION SEQUENCE

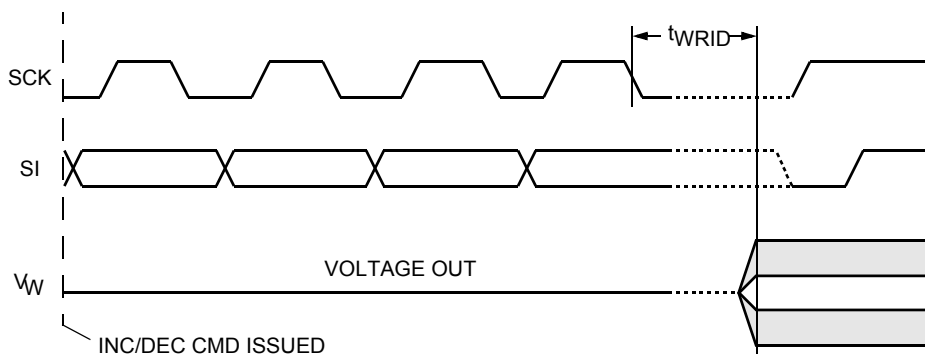


FIGURE 6. INCREMENT/DECREMENT TIMING LIMITS

TABLE 8. INSTRUCTION SET

INSTRUCTION	INSTRUCTION SET (1/0 = DATA IS ONE OR ZERO)								OPERATION
	I3	I2	I1	I0	RB	RA	P <sub>1</sub>	P <sub>0</sub>	
Read Wiper Counter Register	1	0	0	1	0	0	0	1/0	Read contents of Wiper Counter Register.
Write Wiper Counter Register	1	0	1	0	0	0	0	1/0	Write new value to Wiper Counter Register.
Read Data Register	1	0	1	1	1/0	1/0	1/0	1/0	Read contents of Data Register pointed to by P <sub>1</sub> - P <sub>0</sub> and RB - RA.
Write Data Register	1	1	0	0	1/0	1/0	1/0	1/0	Write new value to Data Register pointed to by P <sub>1</sub> - P <sub>0</sub> and RB - RA.
XFR Data Register to Wiper Counter Register	1	1	0	1	1/0	1/0	0	0	Transfer contents of Data Register pointed to by RB - RA (Bank 0 only) to Wiper Counter Register.
XFR Wiper Counter Register to Data Register	1	1	1	0	1/0	1/0	0	0	Transfer contents of Wiper Counter Register to Register pointed to by RB-RA (Bank 0 only).
Increment/Decrement Wiper Counter Register	0	0	1	0	0	0	0	0	Enable increment/decrement of the Wiper Counter Register.
Read Status (WIP Bit)	0	1	0	1	0	0	0	1	Read status of internal write cycle by checking WIP bit.

**Instruction Format**

**Read Wiper Counter Register (WCR)**

CS Falling Edge	Device Type Identifier				Device Addresses				Instruction Opcode				DR/Bank Addresses				Wiper Position (Sent by X9271 on SO)								CS Rising Edge
	0	1	0	1	0	0	A1	A0	1	0	0	1	0	0	0	0	W7	W6	W5	W4	W3	W2	W1	W0	
																	C	C	C	C	C	C	C	C	
																	R	R	R	R	R	R	R	R	
																	7	6	5	4	3	2	1	0	

**Write Wiper Counter Register (WCR)**

CS Falling Edge	Device Type Identifier				Device Addresses				Instruction Opcode				DR/Bank Addresses				Data Byte (Sent by Host on SI)								CS Rising Edge
	0	1	0	1	0	0	A1	A0	1	0	1	0	0	0	0	0	W7	W6	W5	W4	W3	W2	W1	W0	
																	C	C	C	C	C	C	C	C	
																	R	R	R	R	R	R	R	R	
																	7	6	5	4	3	2	1	0	

**Read Data Register (DR)**

$\overline{\text{CS}}$ Falling Edge	Device Type Identifier				Device Addresses				Instruction Opcode				DR/Bank Addresses				Data Byte (Sent by X9271 on SO)								$\overline{\text{CS}}$ Rising Edge
	0	1	0	1	0	0	A1	A0	1	0	1	1	RB	RA	P1	P0	D7	D6	D5	D4	D3	D2	D1	D0	

**Write Data Register (DR)**

$\overline{\text{CS}}$ Falling Edge	Device Type Identifier				Device Addresses				Instruction Opcode				DR/Bank Addresses				Data Byte (Sent by Host on SI)								$\overline{\text{CS}}$ Rising Edge	HIGH-VOLTAGE WRITE CYCLE
	0	1	0	1	0	0	A1	A0	1	1	0	0	RB	RA	P1	P0	D7	D6	D5	D4	D3	D2	D1	D0		

**Transfer Wiper Counter Register (WCR) to Data Register (DR)**

$\overline{\text{CS}}$ Falling Edge	Device Type Identifier				Device Addresses				Instruction Opcode				DR/Bank Addresses				$\overline{\text{CS}}$ Rising Edge	HIGH-VOLTAGE WRITE CYCLE
	0	1	0	1	0	0	A1	A0	1	1	1	0	RB	RA	0	0		

**Transfer Data Register (DR) to Wiper Counter Register (WCR) (Notes 5, 6)**

$\overline{\text{CS}}$ Falling Edge	Device Type Identifier				Device Addresses				Instruction Opcode				DR/Bank Addresses				$\overline{\text{CS}}$ Rising Edge
	0	1	0	1	0	0	A1	A0	1	1	0	1	RB	RA	0	0	

**Increment/Decrement Wiper Counter Register (WCR) (Notes 5, 6, 7, 8, 9)**

$\overline{\text{CS}}$ Falling Edge	Device Type Identifier				Device Addresses				Instruction Opcode				DR/Bank Addresses				Increment/Decrement (Sent by Master on SDA)				$\overline{\text{CS}}$ Rising Edge		
	0	1	0	1	0	0	A1	A0	0	0	1	0	X	X	0	0	I/D	I/D	.	.		.	.

**Read Status Register (SR) (Note 5)**

$\overline{\text{CS}}$ Falling Edge	Device Type Identifier				Device Addresses				Instruction Opcode				DR/Bank Addresses				Data Byte (Sent by X9271 on SO)								$\overline{\text{CS}}$ Rising Edge
	0	1	0	1	0	0	A1	A0	0	1	0	1	0	0	0	1	0	0	0	0	0	0	0	0	

NOTES:

5. "A1 ~ A0": stands for the device addresses sent by the master.
6. WCRx refers to wiper position data in the Wiper Counter Register.
7. "I": stands for the increment operation. SI held HIGH during active SCK phase (high).
8. "D": stands for the decrement operation. SI held LOW during active SCK phase (high).
9. "X": Don't Care.

**Absolute Maximum Ratings**

Temperature Under Bias . . . . . -65°C to +135°C  
 Voltage on SCK, any Address Input,  
 with Respect to VSS. . . . . -1V to +7V  
 $\Delta V = |(V_H - V_L)|$  . . . . . 5.5V  
 $I_W$  (10 seconds). . . . .  $\pm 6$ mA  
 Supply Voltage ( $V_{CC}$ ) Limits:  
 X9271 . . . . .  $5V \pm 10\%$   
 X9271-2.7 . . . . . 2.7V to 5.5V

**Thermal Information**

Maximum Storage Temperature Range . . . . . -65°C to +150°C  
 Maximum Lead Temperature (Soldering 10s) . . . . . +300°C  
 Pb-Free Reflow Profile. . . . . see [TB493](#)

**Recommended Operating Conditions**

Temperature Range (Commercial). . . . . 0°C to +70°C  
 Temperature Range (Industrial). . . . . -40°C to +85°C

*CAUTION: Do not operate at or near the maximum ratings listed for extended periods of time. Exposure to such conditions may adversely impact product reliability and result in failures not covered by warranty.*

**Analog Characteristics** Across recommended industrial operating conditions unless otherwise specified.

SYMBOL	PARAMETER	LIMITS				TEST CONDITIONS
		MIN ( <a href="#">Note 17</a> )	TYP	MAX ( <a href="#">Note 17</a> )	UNITS	
$R_{TOTAL}$	End to End Resistance		50		k $\Omega$	U version
	End to End Resistance Tolerance			$\pm 20$	%	
	Power Rating			50	mW	+25°C, each pot
$I_W$	Wiper Current			$\pm 3$	mA	
$R_W$	Wiper Resistance			300	W	$I_W = \pm 3$ mA at $V_{CC} = 3$ V
$R_W$	Wiper Resistance			150	W	$I_W = \pm 3$ mA at $V_{CC} = 5$ V
$V_{TERM}$	Voltage on any $R_H$ or $R_L$ Pin	$V_{SS}$		$V_{CC}$	V	$V_{SS} = 0$ V
	Noise		-120		dBV/ $\sqrt{Hz}$	Ref: 1V
	Resolution		0.4		%	
	Absolute Linearity ( <a href="#">Note 10</a> )			$\pm 1$	MI ( <a href="#">Note 12</a> )	$R_{W(n)}(actual) - R_{W(n)}(expected)$ ( <a href="#">Note 14</a> )
	Relative Linearity ( <a href="#">Note 11</a> )			$\pm 0.2$	MI ( <a href="#">Note 12</a> )	$R_{W(n+1)} - [R_{W(n)} + MI]$ ( <a href="#">Note 14</a> )
	Temperature Coefficient of $R_{TOTAL}$		$\pm 300$		ppm/°C	
	Ratiometric Temp. Coefficient			20	ppm/°C	
$C_H/C_L/C_W$	Potentiometer Capacitance		10/10/25		pF	See macro model

NOTES:

10. Absolute linearity is used to determine actual wiper voltage versus expected voltage as determined by wiper position when used as a potentiometer.
11. Relative linearity is used to determine actual change in voltage between two successive tap positions when used as a potentiometer. It is a measure of the error in step size.
12.  $MI = RTOT / 255$  or  $(R_H - R_L) / 255$ , single pot.
13. During power-up,  $V_{CC} > V_H, V_L,$  and  $V_W$ .
14.  $n = 0, 1, 2, \dots, 255$ ;  $m = 0, 1, 2, \dots, 254$ .

**D.C. Operating Characteristics** Across the recommended operating conditions unless otherwise specified.

SYMBOL	PARAMETER	LIMITS				TEST CONDITIONS
		MIN (Note 17)	TYP	MAX (Note 17)	UNITS	
I <sub>CC1</sub>	V <sub>CC</sub> Supply Current (Active)			400	μA	f <sub>SCK</sub> = 2.5MHz, SO = Open, V <sub>CC</sub> = 6V Other Inputs = V <sub>SS</sub>
I <sub>CC2</sub>	V <sub>CC</sub> Supply Current (Nonvolatile Write)		1	5	mA	f <sub>SCK</sub> = 2.5MHz, SO = Open, V <sub>CC</sub> = 6V Other Inputs = V <sub>SS</sub>
I <sub>SB</sub>	V <sub>CC</sub> Current (Standby)			3	μA	SCK = SI = V <sub>SS</sub> , Addr. = V <sub>SS</sub> , CS = V <sub>CC</sub> = 6V
I <sub>LI</sub>	Input Leakage Current			10	μA	V <sub>IN</sub> = V <sub>SS</sub> to V <sub>CC</sub>
I <sub>LO</sub>	Output Leakage Current			10	μA	V <sub>OUT</sub> = V <sub>SS</sub> to V <sub>CC</sub>
V <sub>IH</sub>	Input HIGH Voltage	V <sub>CC</sub> × 0.7		V <sub>CC</sub> + 1	V	
V <sub>IL</sub>	Input LOW Voltage	-1		V <sub>CC</sub> × 0.3	V	
V <sub>OL</sub>	Output LOW Voltage			0.4	V	I <sub>OL</sub> = 3mA
V <sub>OH</sub>	Output HIGH Voltage	V <sub>CC</sub> - 0.8			V	I <sub>OH</sub> = -1mA, V <sub>CC</sub> ≥ +3V
V <sub>OH</sub>	Output HIGH Voltage	V <sub>CC</sub> - 0.4			V	I <sub>OH</sub> = -0.4mA, V <sub>CC</sub> ≤ +3V

**Endurance and Data Retention**

PARAMETER	MIN. (Note 17)	UNITS
Minimum Endurance	100,000	Data changes per bit per register
Data Retention	100	Years

**Capacitance**

SYMBOL	TEST	MAX. (Note 17)	UNITS	TEST CONDITIONS
C <sub>IN/OUT</sub> (Note 15)	Input / Output Capacitance (SI)	8	pF	V <sub>OUT</sub> = 0V
C <sub>OUT</sub> (Note 15)	Output Capacitance (SO)	8	pF	V <sub>OUT</sub> = 0V
C <sub>IN</sub> (Note 15)	Input Capacitance (A0, CS, WP, HOLD, and SCK)	6	pF	V <sub>IN</sub> = 0V

**Power-Up Timing**

SYMBOL	PARAMETER	MIN. (Note 17)	MAX. (Note 17)	UNITS
t <sub>r</sub> V <sub>CC</sub> (Note 15)	V <sub>CC</sub> Power-up Rate	0.2	50	V/ms
t <sub>PUR</sub> (Note 16)	Power-up to Initiation of Read Operation		1	ms
t <sub>PUW</sub> (Note 16)	Power-up to Initiation of Write Operation		50	ms

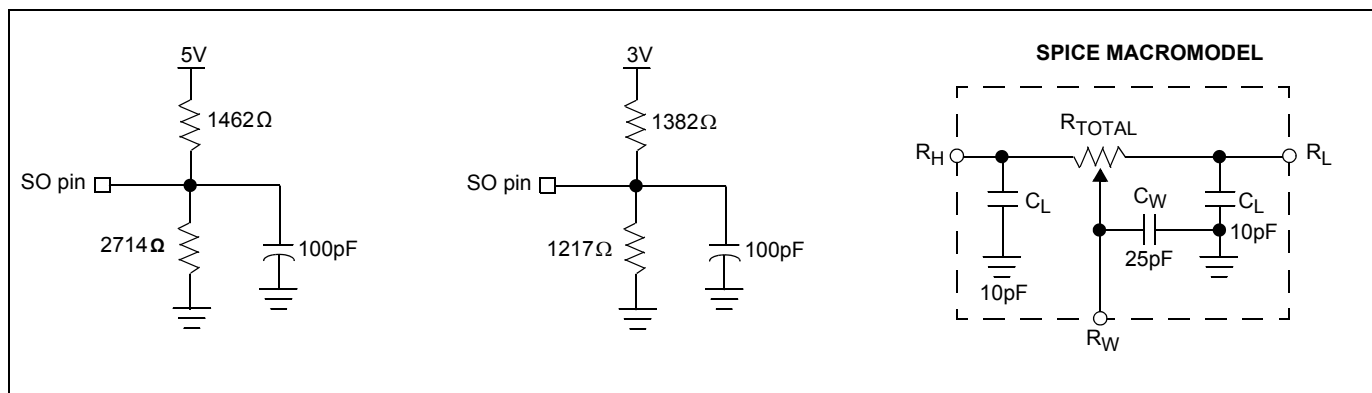
**A.C. Test Conditions**

INPUT PULSE LEVELS	V <sub>CC</sub> × 0.1 to V <sub>CC</sub> × 0.9
Input Rise and Fall Times	10ns
Input and Output Timing Level	V <sub>CC</sub> × 0.5

## NOTES:

- This parameter is not 100% tested.
- t<sub>PUR</sub> and t<sub>PUW</sub> are the delays required from the time the (last) power supply (V<sub>CC</sub>) is stable until the specific instruction can be issued. These parameters are periodically sampled and are not 100% tested.
- Compliance to datasheet limits is assured by one or more methods: production test, characterization and/or design.

## Equivalent A.C. Load Circuit



## AC Timing

SYMBOL	PARAMETER	MIN	MAX	UNITS
$f_{SCK}$	SSI/SPI Clock Frequency		2.5	MHz
$t_{CYC}$	SSI/SPI Clock Cycle Time	500		ns
$t_{WH}$	SSI/SPI Clock High Time	200		ns
$t_{WL}$	SSI/SPI Clock Low Time	200		ns
$t_{LEAD}$	Lead Time	250		ns
$t_{LAG}$	Lag Time	250		ns
$t_{SU}$	SI, SCK, $\overline{HOLD}$ and $\overline{CS}$ Input Setup Time	50		ns
$t_H$	SI, SCK, $\overline{HOLD}$ and $\overline{CS}$ Input Hold Time	50		ns
$t_{RI}$	SI, SCK, $\overline{HOLD}$ and $\overline{CS}$ Input Rise Time		2	$\mu$ s
$t_{FI}$	SI, SCK, $\overline{HOLD}$ and $\overline{CS}$ Input Fall Time		2	$\mu$ s
$t_{DIS}$	SO Output Disable Time	0	250	ns
$t_V$	SO Output Valid Time		200	ns
$t_{HO}$	SO Output Hold Time	0		ns
$t_{RO}$	SO Output Rise Time		100	ns
$t_{FO}$	SO Output Fall Time		100	ns
$t_{HOLD}$	$\overline{HOLD}$ Time	400		ns
$t_{HSU}$	$\overline{HOLD}$ Setup Time	100		ns
$t_{HH}$	$\overline{HOLD}$ Hold Time	100		ns
$t_{HZ}$	$\overline{HOLD}$ Low to Output in High Z		100	ns
$t_{LZ}$	$\overline{HOLD}$ High to Output in Low Z		100	ns
$T_I$	Noise Suppression Time Constant at SI, SCK, $\overline{HOLD}$ and $\overline{CS}$ Inputs		10	ns
$t_{CS}$	$\overline{CS}$ Deselect Time	2		$\mu$ s
$t_{WPASU}$	$\overline{WP}$ , A0 Setup Time	0		ns
$t_{WPAH}$	$\overline{WP}$ , A0 Hold Time	0		ns

## High-voltage Write Cycle Timing

SYMBOL	PARAMETER	TYP	MAX	UNITS
$t_{WR}$	High-voltage Write Cycle Time (Store Instructions)	5	10	ms

### XDCP Timing

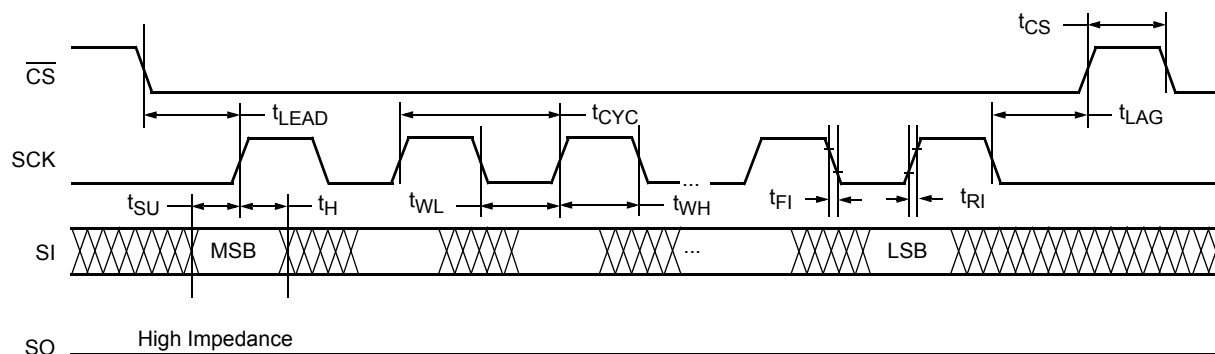
SYMBOL	PARAMETER	MIN	MAX	UNITS
$t_{WRPO}$	Wiper Response Time After Third (Last) Power Supply is Stable	5	10	$\mu s$
$t_{WRL}$	Wiper Response Time After Instruction Issued (All Load Instructions)	5	10	$\mu s$

### Symbol Table

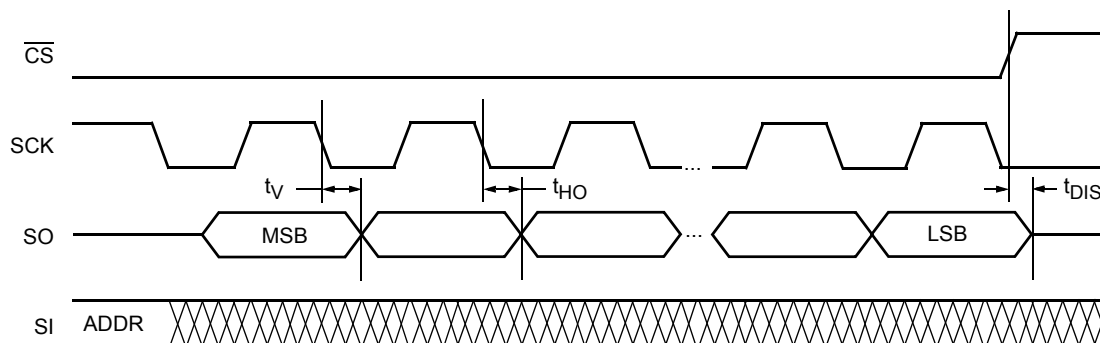
WAVEFORM	INPUTS	OUTPUTS
	Must be steady	Will be steady
	May change from Low to High	Will change from Low to High
	May change from High to Low	Will change from High to Low
	Don't Care: Changes Allowed	Changing: State Not Known
	N/A	Center Line is High Impedance

### Timing Diagrams

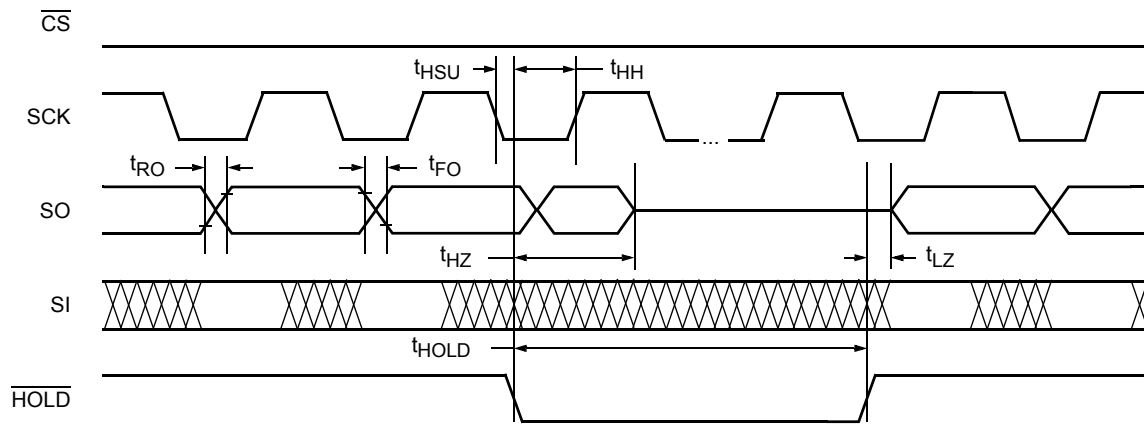
#### Input Timing



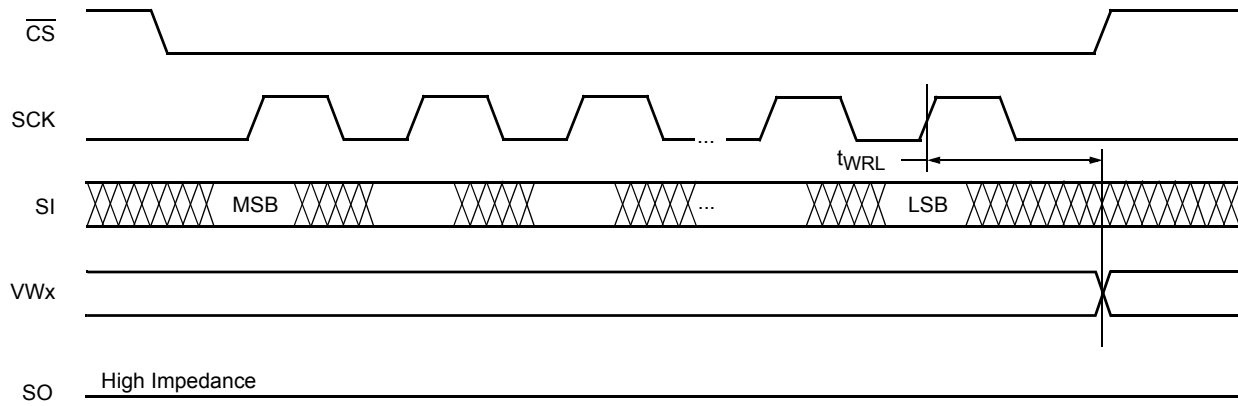
#### Output Timing



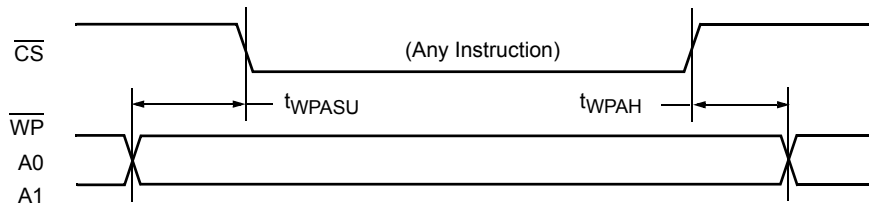
**Hold Timing**



**XDCP Timing (for All Load Instructions)**

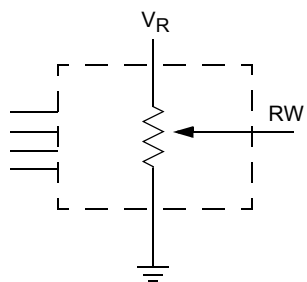


**Write Protect and Device Address Pins Timing**

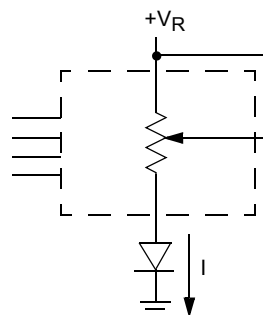


**Applications information**

**Basic Configurations of Electronic Potentiometers**

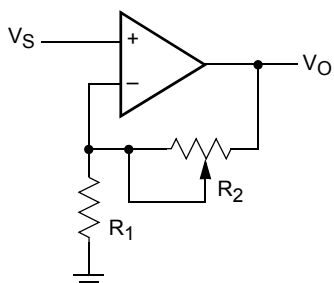


3-terminal Potentiometer;  
Variable Voltage Divider



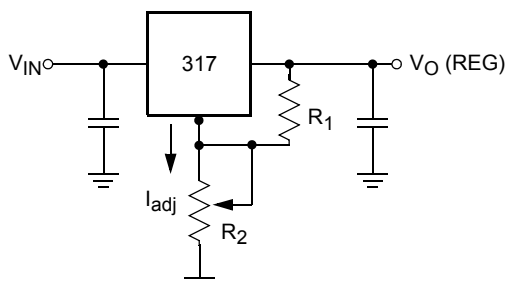
2-terminal Variable Resistor;  
Variable Current

**Application Circuits**



$$V_O = (1 + R_2/R_1)V_S$$

FIGURE 7. NONINVERTING AMPLIFIER



$$V_O (\text{REG}) = 1.25V (1 + R_2/R_1) + I_{\text{adj}}$$

FIGURE 8. VOLTAGE REGULATOR

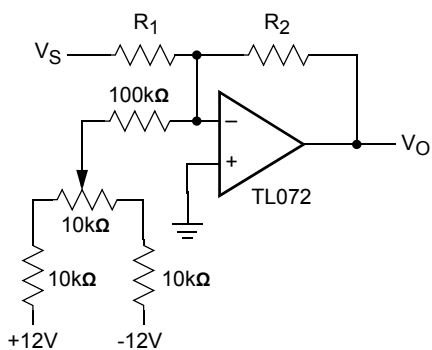
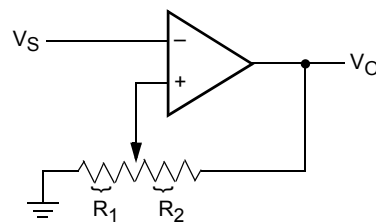


FIGURE 9. OFFSET VOLTAGE ADJUSTMENT

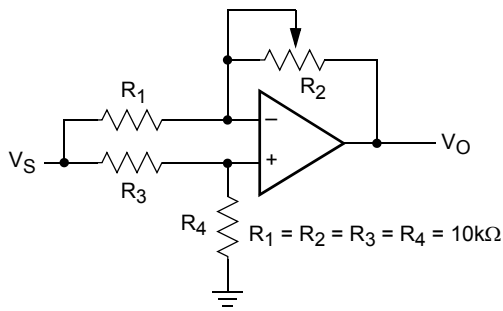


$$V_{UL} = \{R_1/(R_1 + R_2)\} V_O(\text{max})$$

$$V_{LL} = \{R_1/(R_1 + R_2)\} V_O(\text{min})$$

FIGURE 10. COMPARATOR WITH HYSTERESIS

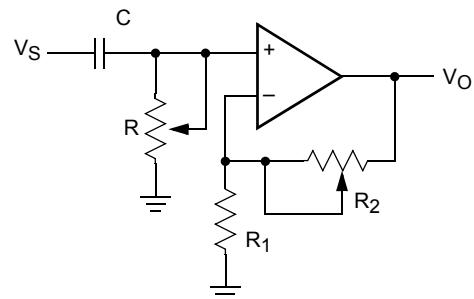
Application Circuits (Continued)



$$V_O = G V_S$$

$$-1/2 \leq G \leq +1/2$$

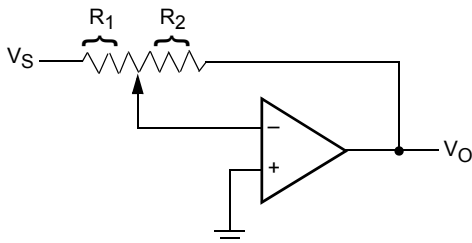
FIGURE 11. ATTENUATOR



$$G_O = 1 + R_2/R_1$$

$$f_c = 1/(2\pi RC)$$

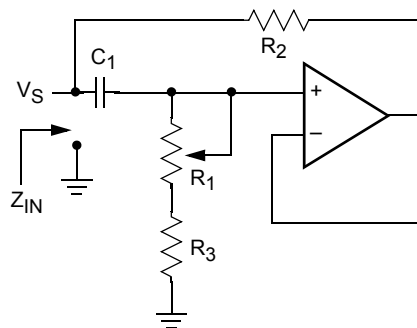
FIGURE 12. FILTER



$$V_O = G V_S$$

$$G = -R_2/R_1$$

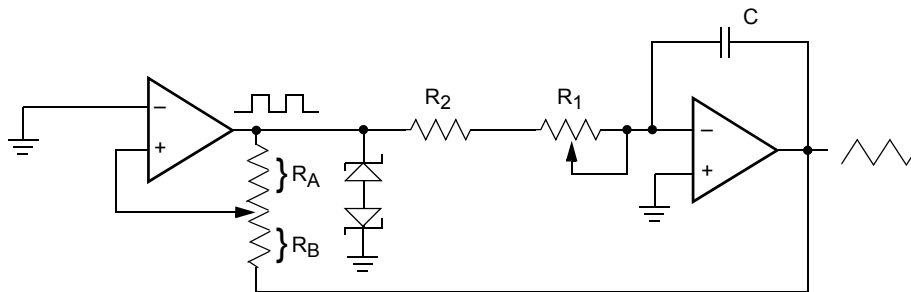
FIGURE 13. INVERTING AMPLIFIER



$$Z_{IN} = R_2 + s R_2 (R_1 + R_3) C_1 = R_2 + s L_{eq}$$

$$(R_1 + R_3) \gg R_2$$

FIGURE 14. EQUIVALENT L-R CIRCUIT



$$\text{Frequency} \propto R_1, R_2, C$$

$$\text{Amplitude} \propto R_A, R_B$$

FIGURE 15. FUNCTION GENERATOR

All Intersil U.S. products are manufactured, assembled and tested utilizing ISO9001 quality systems. Intersil Corporation's quality certifications can be viewed at [www.intersil.com/design/quality](http://www.intersil.com/design/quality)

*Intersil products are sold by description only. Intersil Corporation reserves the right to make changes in circuit design, software and/or specifications at any time without notice. Accordingly, the reader is cautioned to verify that data sheets are current before placing orders. Information furnished by Intersil is believed to be accurate and reliable. However, no responsibility is assumed by Intersil or its subsidiaries for its use; nor for any infringements of patents or other rights of third parties which may result from its use. No license is granted by implication or otherwise under any patent or patent rights of Intersil or its subsidiaries.*

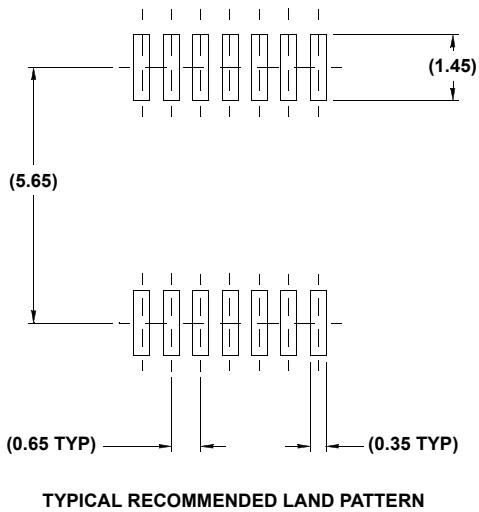
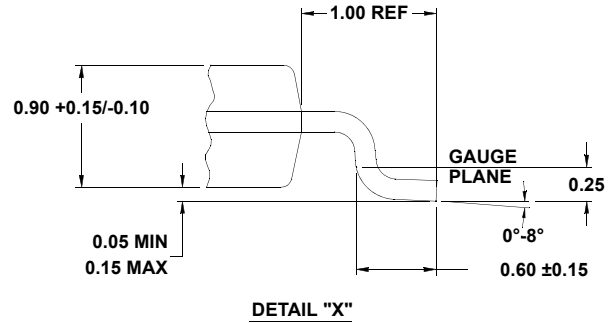
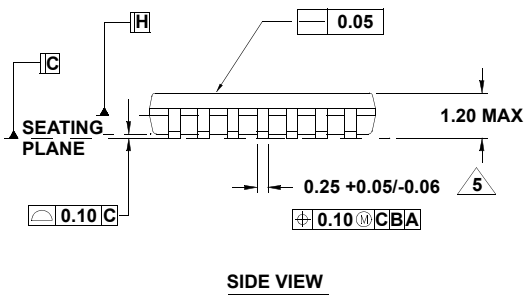
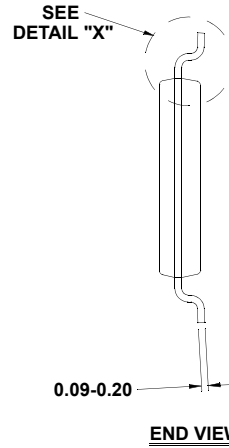
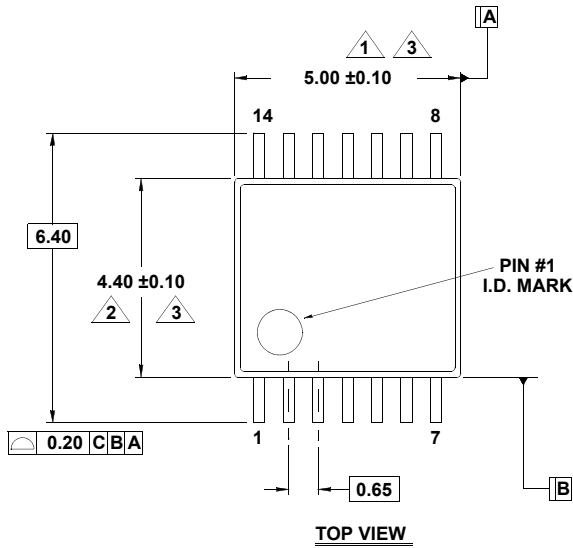
For information regarding Intersil Corporation and its products, see [www.intersil.com](http://www.intersil.com)

# Package Outline Drawing

## M14.173

14 LEAD THIN SHRINK SMALL OUTLINE PACKAGE (TSSOP)

Rev 3, 10/09



NOTES:

1. Dimension does not include mold flash, protrusions or gate burrs. Mold flash, protrusions or gate burrs shall not exceed 0.15 per side.
2. Dimension does not include interlead flash or protrusion. Interlead flash or protrusion shall not exceed 0.25 per side.
3. Dimensions are measured at datum plane H.
4. Dimensioning and tolerancing per ASME Y14.5M-1994.
5. Dimension does not include dambar protrusion. Allowable protrusion shall be 0.80mm total in excess of dimension at maximum material condition. Minimum space between protrusion and adjacent lead is 0.07mm.
6. Dimension in ( ) are for reference only.
7. Conforms to JEDEC MO-153, variation AB-1.

# AMEYA360

## Components Supply Platform

Authorized Distribution Brand :



Website :

Welcome to visit [www.ameya360.com](http://www.ameya360.com)

Contact Us :

➤ Address :

401 Building No.5, JiuGe Business Center, Lane 2301, Yishan Rd  
Minhang District, Shanghai , China

➤ Sales :

Direct +86 (21) 6401-6692

Email [amall@ameya360.com](mailto:amall@ameya360.com)

QQ 800077892

Skype [ameyasales1](#) [ameyasales2](#)

➤ Customer Service :

Email [service@ameya360.com](mailto:service@ameya360.com)

➤ Partnership :

Tel +86 (21) 64016692-8333

Email [mkt@ameya360.com](mailto:mkt@ameya360.com)