
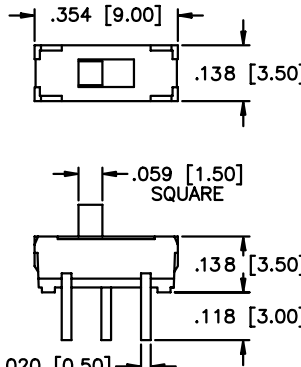
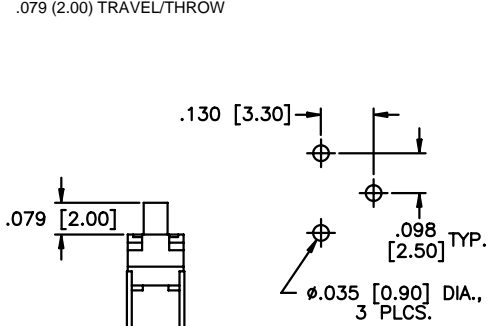

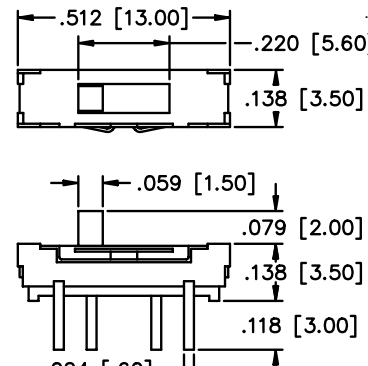
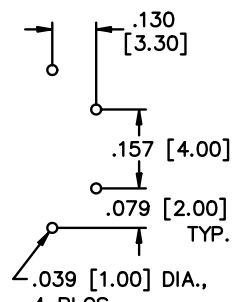

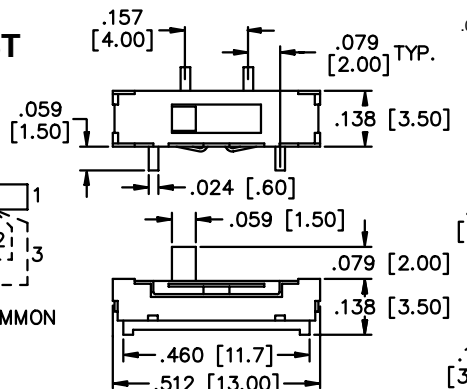
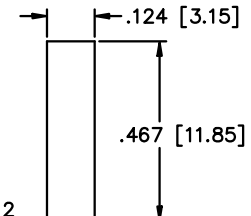


MS Series

Microminiature Slide Switches

SPECIFICATIONS	FEATURES
<p>Contact rating: 300 mA at 6 VDC</p> <p>Initial contact resistance: 70 milliohms max.</p> <p>Insulation resistance: 100 megohms max. at 500 VDC</p> <p>Dielectric strength: 500 volts RMS at sea level</p> <p>Electrical life: 10,000 cycles min.</p> <p>Operating temperature range: -10°C to +60°C</p> <p>Solder heat resistance: 260°C max. for 3 seconds</p> <p>Washing not recommended</p>	<ul style="list-style-type: none"> ● Low profile. ● Insert molded terminals. ● Stainless steel cover.
	MATERIALS
	<p>Contacts & terminals: Silver plated</p> <p>Cover: Stainless steel</p> <p>Actuator: Thermoplastic</p> <p>Base: High temperature thermoplastic Terminal seal: Insert molded</p>

MODEL NO.			
MS12			
	1P2T		
VERTICAL ACTUATOR	SCHEMATIC	MECHANICAL OUTLINE	P.C. BOARD LAYOUT
MODEL NO.			
MS13			
	1P3T		
VERTICAL ACTUATOR	SCHEMATIC	MECHANICAL OUTLINE	P.C. BOARD CUTOUT
MODEL NO.			
MS13S			
	1P3T		
VERTICAL ACTUATOR	SCHEMATIC	MECHANICAL OUTLINE	P.C. BOARD LAYOUT



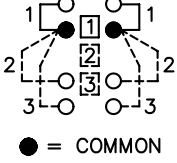
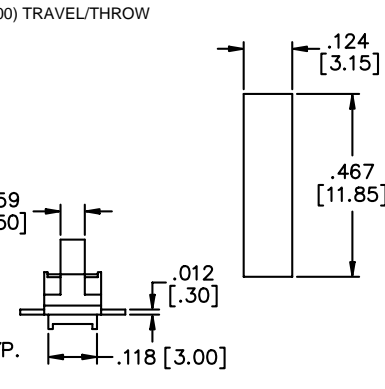
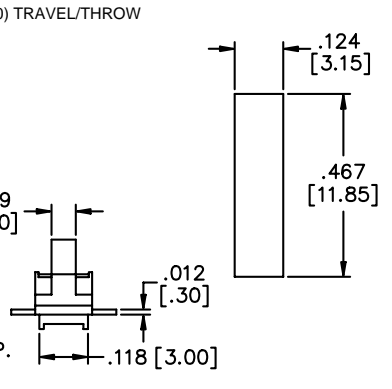
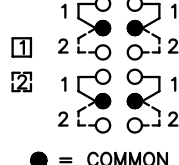

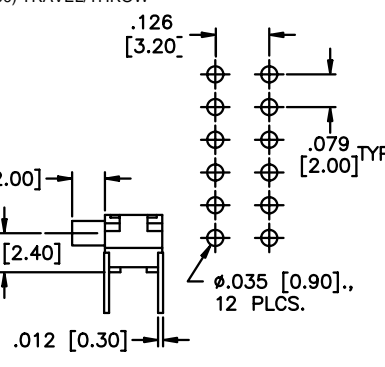
SPECIFICATIONS SUBJECT TO CHANGE WITHOUT NOTICE

MS Series

Microminiature Slide Switches

SPECIFICATIONS SUBJECT TO CHANGE WITHOUT NOTICE

MODEL NO. MS22	2P2T	<p style="text-align: right;">.079 (2.00) TRAVEL/THROW</p>
	<p>● = COMMON</p>	VERTICAL ACTUATOR SCHEMATIC MECHANICAL OUTLINE P.C. BOARD LAYOUT
MODEL NO. MS22R	2P2T	<p style="text-align: right;">.079 (2.00) TRAVEL/THROW</p>
	<p>● = COMMON</p>	RIGHT ANGLE ACTUATOR SCHEMATIC MECHANICAL OUTLINE P.C. BOARD LAYOUT
MODEL NO. MS23	2P3T	<p style="text-align: right;">.079 (2.00) TRAVEL/THROW</p>
	<p>● = COMMON</p>	VERTICAL ACTUATOR SCHEMATIC MECHANICAL OUTLINE P.C. BOARD LAYOUT
MODEL NO. MS23R	2P3T	<p style="text-align: right;">.079 (2.00) TRAVEL/THROW</p>
	<p>● = COMMON</p>	RIGHT ANGLE ACTUATOR SCHEMATIC MECHANICAL OUTLINE P.C. BOARD CUTOUT

MODEL NO.	2P3T		
MS23S			
VERTICAL ACTUATOR	 <p>● = COMMON</p>		
MODEL NO.	4P2T		
MS42R			
RIGHT ANGLE ACTUATOR	 <p>● = COMMON</p>		

SPECIFICATIONS SUBJECT TO CHANGE WITHOUT NOTICE

AMEYA360

Components Supply Platform

Authorized Distribution Brand :



Website :

Welcome to visit www.ameya360.com

Contact Us :

➤ Address :

401 Building No.5, JiuGe Business Center, Lane 2301, Yishan Rd
Minhang District, Shanghai , China

➤ Sales :

Direct +86 (21) 6401-6692

Email amall@ameya360.com

QQ 800077892

Skype [ameyasales1](#) [ameyasales2](#)

➤ Customer Service :

Email service@ameya360.com

➤ Partnership :

Tel +86 (21) 64016692-8333

Email mkt@ameya360.com