

NEMA line Outlet 5-15R, Snap-in Mounting, Front Side, Solder Terminal



Snap-In Version



### Description

- Panel Mount:  
Snap-in, Front Side
- 1 Function:  
Line Outlet, Protection class I
- Solder terminals

### Approvals

- UL File Number: E103791
- CSA File Number: 73165

### Characteristics

- Designed for standard applications
- Suitable for use in equipment according to IEC/UL 60950

### References

Alternative: protection class II version [0715](#)

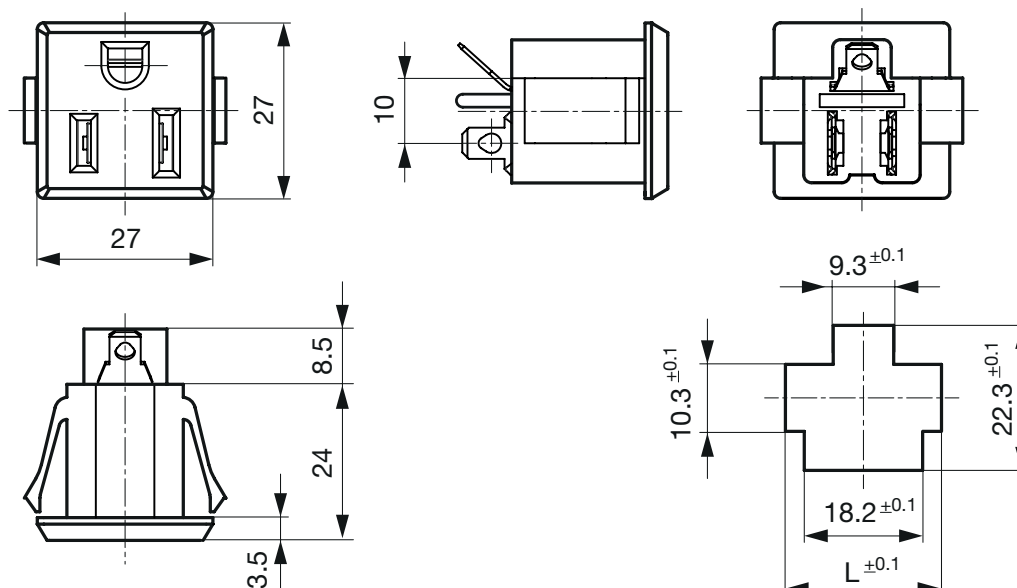
### Weblinks

[pdf-datasheet](#), [html-datasheet](#), [General Product Information](#), [Approvals](#), [CE declaration of conformity](#), [RoHS](#), [CHINA-RoHS](#), [REACH](#), [Mating Connectors](#), [e-Shop](#), [SCHURTER-Stock-Check](#), [Distributor-Stock-Check](#), [CAD-Drawings](#), [Accessories](#), [Detailed request for product](#)

### Technical Data

Ratings UL/CSA	15A / 125VAC; 60Hz
Dielectric Strength	> 2 kVAC between L-N > 2 kVAC between L/N-PE (1 min/50Hz)
Allowable Operation Temp.	-25 °C to +60 °C
Degree of Protection	from front side IP 20 acc. to IEC 60529
Protection Class	Suitable for appliances with protection class I acc. to IEC 61140
Terminal	Solder terminals
Panel Thickness s	Snap-in 0.8mm to 1.6mm
Material: Housing	Thermoplastic, black, UL 94V-0

**Dimensions**  
Standard version



Pannel thickness s	length L
0.8 mm	24.0 mm
1.0 mm	24.6 mm
1.2 mm	25.2 mm
1.6 mm	26.2 mm

**All Variants**

Type	Protection Class	Panel mounting	Panel Thickness s [mm]	Terminal	Order Number
0709	I	Snap-in	0.8 -1.6	Solder	4300.0701

Most Popular.

Availability for all products can be searched real-time: <http://www.schurter.com/en/Stock-Check/Stock-Check-SCHURTER>

**Packaging unit** 100 Pcs

**Mating Inlets/Plugs**

Category / Description

[Power Supply Cord Overview complete](#)



EU Power Supply Cord with IEC Connector C19, straight/ angled	6004.0395
US Power Supply Cord with IEC Connector C19, straight	6009.5195
US Power Supply Cord with IEC Connector C13, straight	6009.1315
JP Power Supply Cord with IEC Connector C13, straight	6047.6414

[Power Supply Cord further types to 0709](#)



Power Supply or Interconnection Cord Overview complete

Diverse Power Supply and Interconnection Cords 2.5 A

CS01.0221.150

Diverse Power Supply and Interconnection Cords 2.5 A

CS02.0221.150

Power Supply or Interconnection Cord further types to 0709

# AMEYA360

## Components Supply Platform

### Authorized Distribution Brand :



### Website :

Welcome to visit [www.ameya360.com](http://www.ameya360.com)

### Contact Us :

#### ➤ Address :

401 Building No.5, JiuGe Business Center, Lane 2301, Yishan Rd  
Minhang District, Shanghai , China

#### ➤ Sales :

Direct +86 (21) 6401-6692

Email [amall@ameya360.com](mailto:amall@ameya360.com)

QQ 800077892

Skype [ameyasales1](#) [ameyasales2](#)

#### ➤ Customer Service :

Email [service@ameya360.com](mailto:service@ameya360.com)

#### ➤ Partnership :

Tel +86 (21) 64016692-8333

Email [mkt@ameya360.com](mailto:mkt@ameya360.com)