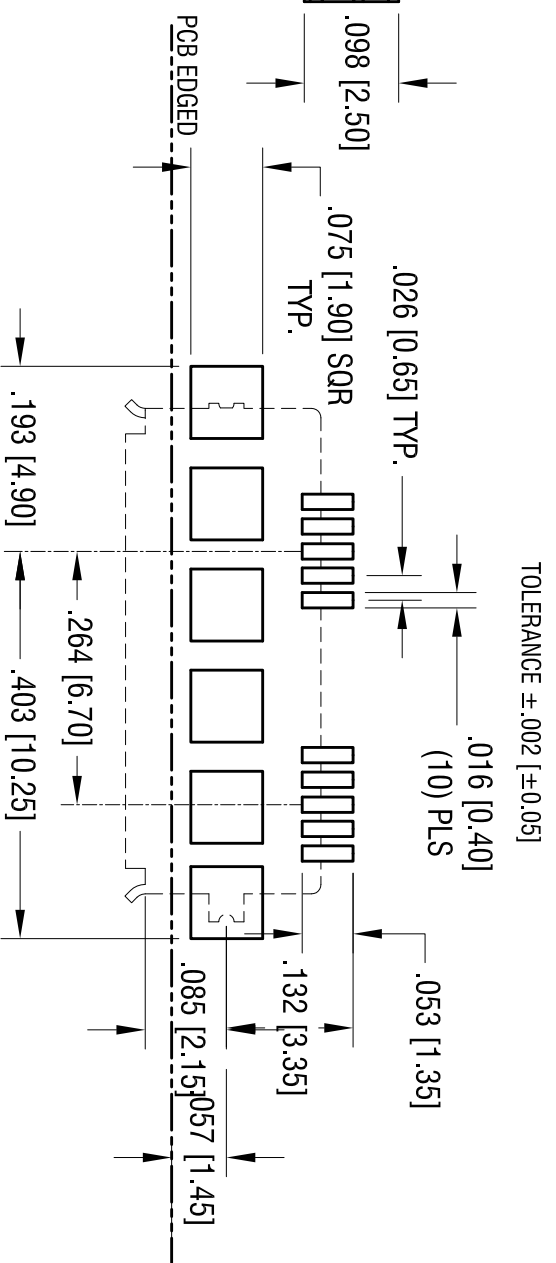


PCB LAYOUT



PLUG SPECIFICATIONS:

- SHELL: MAT'L- STEEL
- FINISH- NICKEL PLATE
- CONTACT: MAT'L- PHOSPHOR BRONZE
- FINISH- GOLD FLASH OVER NICKEL
- INSULATION: MAT'L- THERMOPLASTIC, UL 94V-0

ELECTRICAL CHARACTERISTICS:

- RATED VOLTAGE: 30V (RMS)
- CONTACT CURRENT RATING: 1 Amp DC MAX.
- CONTACT RESISTANCE: 15m Ω min.

MECHANICAL CHARACTERISTICS:

- DIELECTRIC WITHSTANDING VOLTAGE: 750V AC FOR 1 MINUTE
- OPERATING TEMPERATURE: -13°F (-25°C) TO 176°F (+80°C)
- DURABILITY: 1500 CYCLES MIN.

DATE	DESCRIPTION	REV.

KEYSTONE ELECTRONICS CORP.
 www.keystone.com • ASTORIA, N.Y. 11105-2017 • Tel (718) 956-8900

PART NAME
 USB 3.0 MICRO RECEPTACLE

MATERIAL
 AS NOTED

FINISH
 AS NOTED

TOLERANCES	INCH	[MM]	CODE	DWG NO.
DECIMAL	± .004	[± 0.10]	C/M	955
ANGULAR	± 1°			

THIS DOCUMENT IS THE PROPERTY OF KEYSTONE ELECTRONICS CORP. AND SHALL NOT BE REPRODUCED, DISTRIBUTED OR USED AS A BASIS FOR MANUFACTURE WITHOUT PRIOR WRITTEN PERMISSION FROM KEYSTONE ELECTRONICS CORP.

DRN BY	DATE
NT	4.20.10

App'D	SCALE
LN	4X

AMEYA360

Components Supply Platform

Authorized Distribution Brand :



Website :

Welcome to visit www.ameya360.com

Contact Us :

➤ Address :

401 Building No.5, JiuGe Business Center, Lane 2301, Yishan Rd
Minhang District, Shanghai , China

➤ Sales :

Direct +86 (21) 6401-6692

Email amall@ameya360.com

QQ 800077892

Skype [ameyasales1](#) [ameyasales2](#)

➤ Customer Service :

Email service@ameya360.com

➤ Partnership :

Tel +86 (21) 64016692-8333

Email mkt@ameya360.com