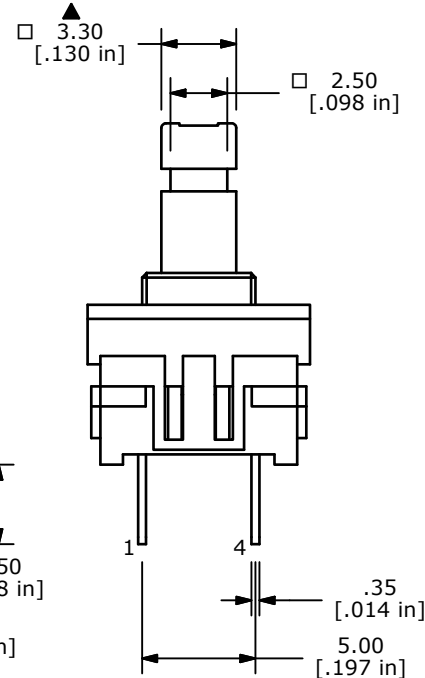
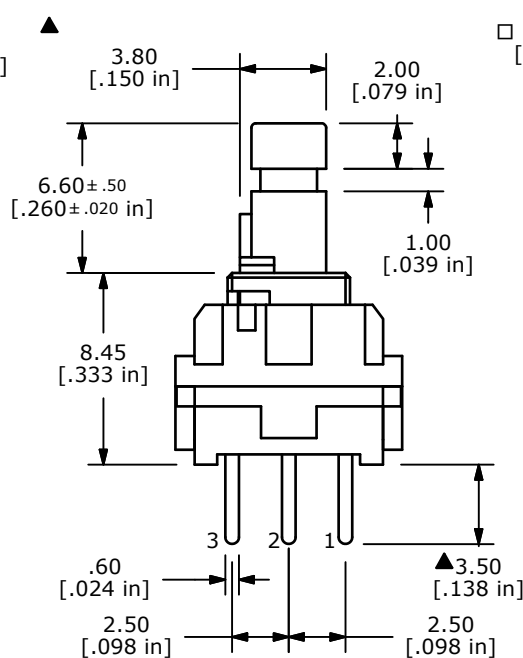
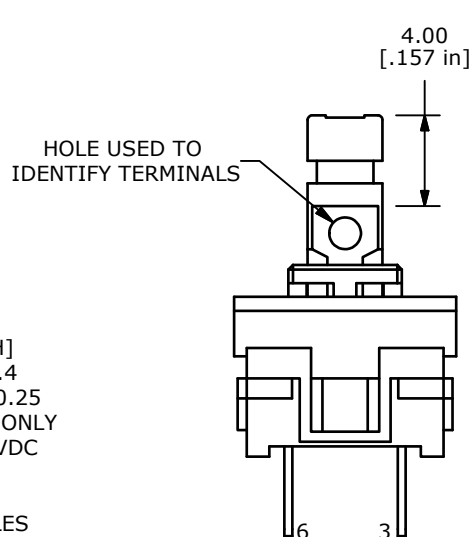
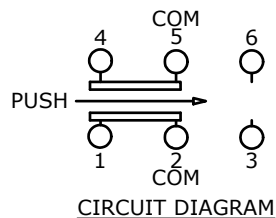
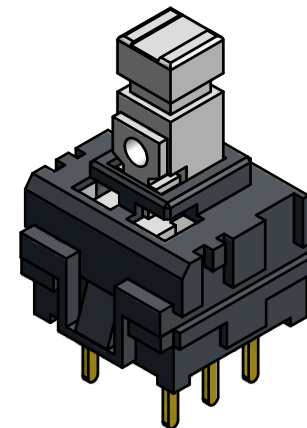
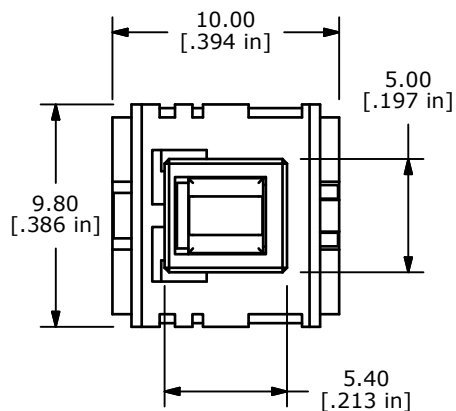


SWITCH FUNCTION	
POS. 1	POS. 2
ON	(ON)
2-1, 5-4	2-3, 5-6

(ON) = MOMENTARY



- NOTE:
1. ALL DIMENSIONS IN mm [INCH]
  2. GENERAL TOLERANCE: x.x = ±0.4  
x.xx = ± 0.25
  3. TERMINAL NUMBERS FOR REF. ONLY
  - ▲ 4. CONTACT RATING: 0.1A @ 30 VDC
  5. TRAVEL: FULL= 1.8mm
  - ▲ 6. OPERATING FORCE: 200±80gf
  7. ELECTRICAL LIFE: 10,000 CYCLES
  8. CONTACT RESISTANCE: 30mΩ MAX.
  9. ▲ DENOTES CRITICAL PARAMETER
  10. CONTACT MATERIAL: SILVER
  11. 2002/95/EC (RoHS) COMPLIANT



B	21131	Re-Release Part Number	5/16/13	rc
REV	PCR NO	DESCRIPTION	DATE	BY

TITLE JN2UOANAGX				
SCALE	DATE	DR	DWG	REV
3:1	5/16/2013	rc	P200000	B

THE INFORMATION CONTAINED IN THIS DOCUMENT IS PROPRIETARY TO E-SWITCH AND IS NOT TO BE COPIED OR TRANSFERRED

# AMEYA360

## Components Supply Platform

Authorized Distribution Brand :



Website :

Welcome to visit [www.ameya360.com](http://www.ameya360.com)

Contact Us :

➤ Address :

401 Building No.5, JiuGe Business Center, Lane 2301, Yishan Rd  
Minhang District, Shanghai , China

➤ Sales :

Direct +86 (21) 6401-6692

Email [amall@ameya360.com](mailto:amall@ameya360.com)

QQ 800077892

Skype [ameyasales1](#) [ameyasales2](#)

➤ Customer Service :

Email [service@ameya360.com](mailto:service@ameya360.com)

➤ Partnership :

Tel +86 (21) 64016692-8333

Email [mkt@ameya360.com](mailto:mkt@ameya360.com)