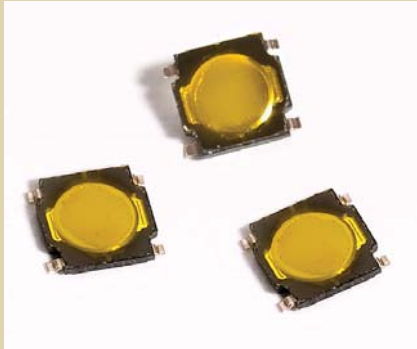


SERIES TL3315 SWITCHES



TACT SWITCHES SMT - LOW PROFILE



FEATURES & BENEFITS

Very low profile
Surface Mount

APPLICATIONS / MARKETS

Consumer Electronics
Audio/visual
Medical
Testing/Instrumentation
Telecommunications
Computer/Servers/Peripherals

MECHANICAL SPECIFICATIONS

Force:	100 +/- 30 gf; 160 +/- 50 gf; 250 +/- 50 gf
Travel:	0.20mm

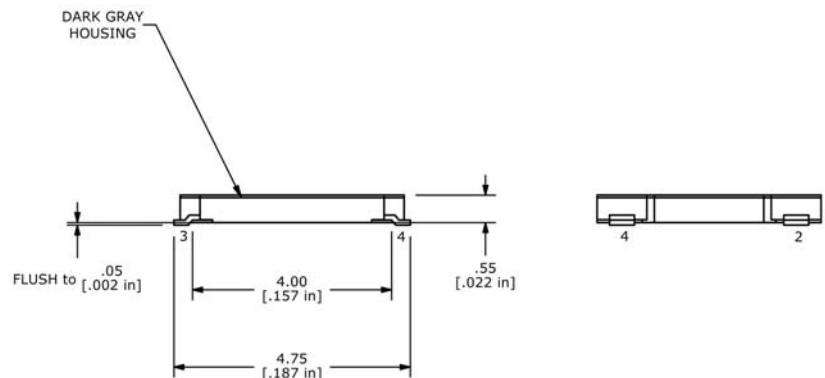
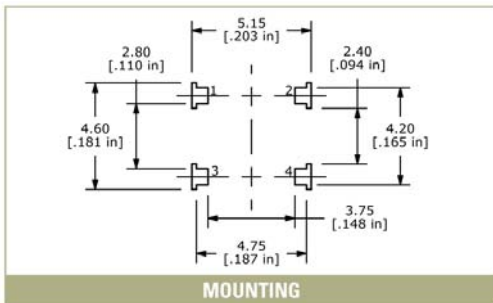
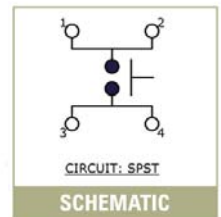
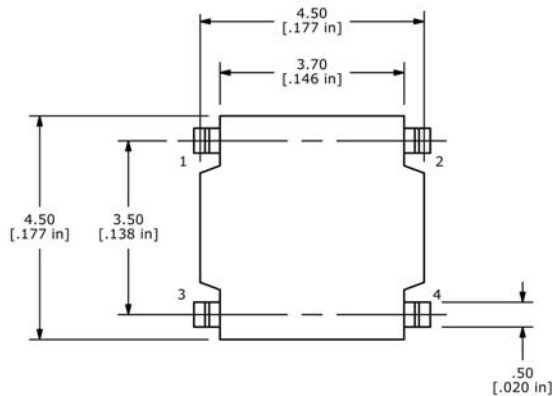
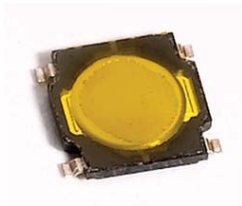
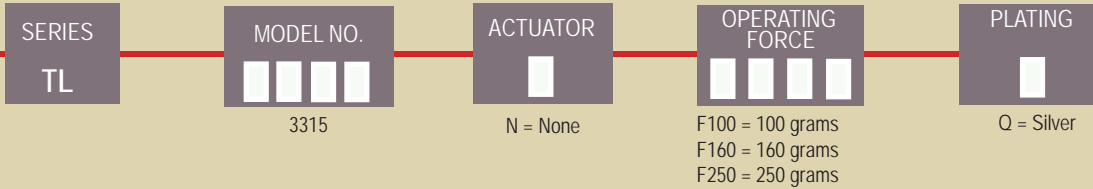
ELECTRICAL SPECIFICATIONS

Electrical Life:	1,000,000 cycles - 100 gf 500,000 cycles - 160 gf 200,000 cycles - 250 gf
Contact Rating:	50mA @ 15VDC
Contact Resistance:	200mΩ (initial max)
Insulation Resistance:	50MΩ (Min @ 100VDC)
Dielectric Strength:	250VAC

ENVIRONMENTAL SPECIFICATIONS

Operating Temperature:	-20°C to +70°C
Storage Temperature:	-25°C to +80°C

HOW TO ORDER:



AMEYA360

Components Supply Platform

Authorized Distribution Brand :



Website :

Welcome to visit www.ameya360.com

Contact Us :

➤ Address :

401 Building No.5, JiuGe Business Center, Lane 2301, Yishan Rd
Minhang District, Shanghai , China

➤ Sales :

Direct +86 (21) 6401-6692

Email amall@ameya360.com

QQ 800077892

Skype [ameyasales1](#) [ameyasales2](#)

➤ Customer Service :

Email service@ameya360.com

➤ Partnership :

Tel +86 (21) 64016692-8333

Email mkt@ameya360.com