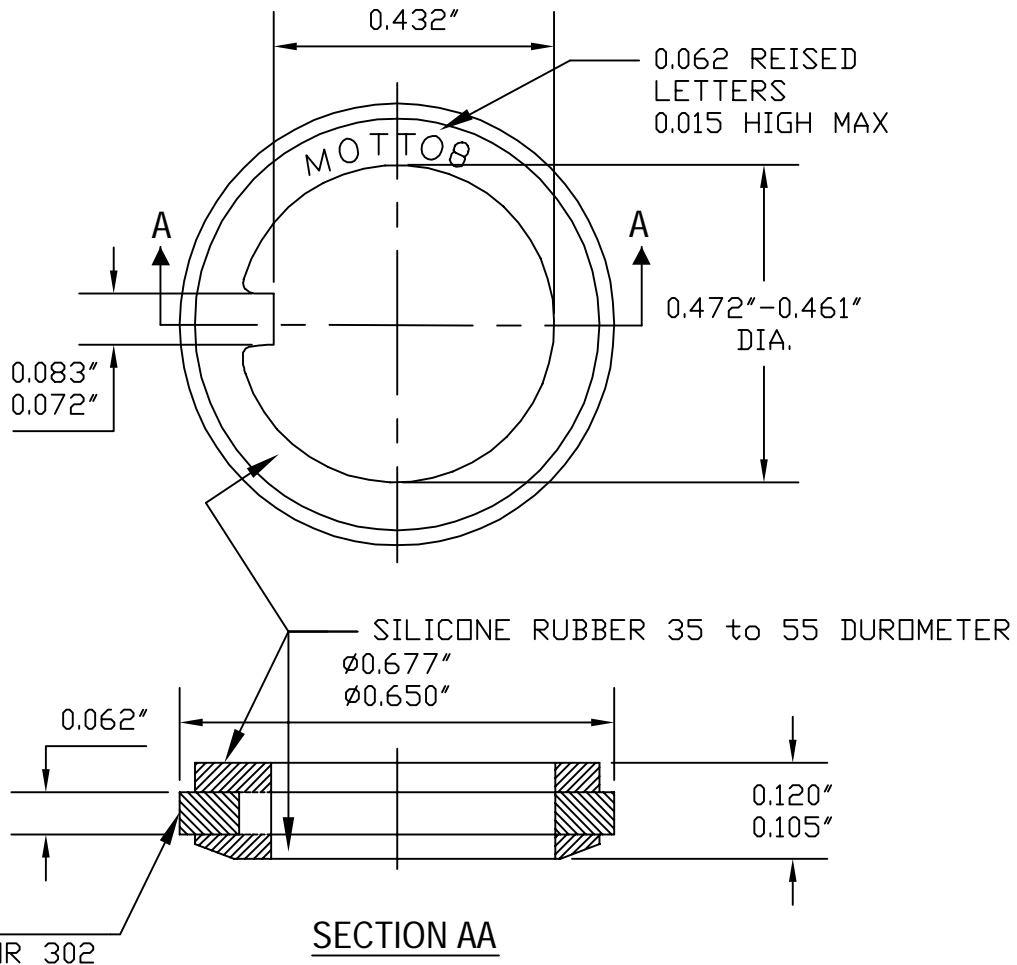


SPECIFICATIONS

Mounting: Either Front or Behind Panel
Temperature Range: -94°F to +400°F
Shelf-Life: in excess of 25 years
Material: Stainless steel with bonded silicone rubber conforms to A-A-59588 Class 3
Resistant To: Salt spray, sunlight, ozone, weather, fungus, and most acids and lubricating oils



REV.	DESCRIPTION	DATE
B	REDRAWN and MAT'L CHANGED	S. GOK 05.19.09
A	CAD COMPUTER GENERATED	01.10.03
TITLE:	PANEL BUSHING SEAL FOR SEALED SWITCHES/CIRCUIT BREAKERS	ENG. DWN.
MAT'L:	GRAY SILICONE RUBBER	CHKD. J.CELLA 05.19.09
FINISH:	S.S. WASHER	SCALE NONE
	APM-HEXSEAL CORPORATION	DWG. NO. 60064

THIS DRAWING COVERS PROPRIETARY ITEM AND IS THE PROPERTY OF THE APM-HEXSEAL CORPORATION.
 THIS DRAWING IS NOT TO BE COPIED OR USED WITHOUT THE WRITTEN APPROVAL OF AN OFFICER OF THE APM-HEXSEAL CORPORATION.

AMEYA360

Components Supply Platform

Authorized Distribution Brand :



Website :

Welcome to visit www.ameya360.com

Contact Us :

➤ Address :

401 Building No.5, JiuGe Business Center, Lane 2301, Yishan Rd
Minhang District, Shanghai , China

➤ Sales :

Direct +86 (21) 6401-6692

Email amall@ameya360.com

QQ 800077892

Skype [ameyasales1](#) [ameyasales2](#)

➤ Customer Service :

Email service@ameya360.com

➤ Partnership :

Tel +86 (21) 64016692-8333

Email mkt@ameya360.com