

## DS100BR111 Ultra Low Power 10.3 Gbps 1-Lane Repeater with Input Equalization and Output De-Emphasis

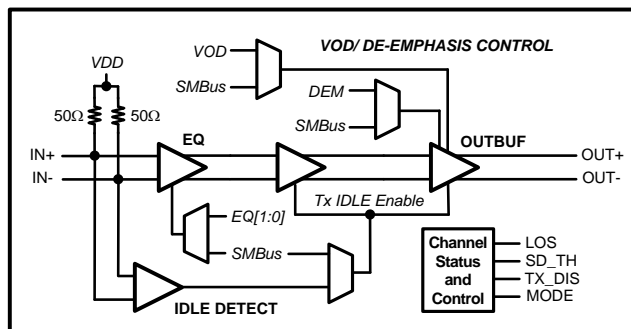
### 1 Features

- Two Channel Repeaters for up to 10.3 Gbps
  - DS100BR210 : 2x Unidirectional Channels
  - DS100BR111 : 1x Bidirectional Lane
- 10G-KR Bi-directional Interface Compatibility
  - Allows for Back-channel Communication and Training
- Low 65 mW/channel (Typical) Power Consumption, with Option to Power Down Unused Channels
- Advanced Signal Conditioning Features
  - Receive Equalization up to +36 dB
  - Transmit De-emphasis up to -12 dB
  - Transmit VOD Control: 700 to 1300 mVp-p
  - Low Residual DJ at 10.3 Gbps
- Programmable Via Pin Selection, EEPROM, or SMBus Interface
- Single Supply Voltage: 2.5 V or 3.3 V
- Flow-thru Pinout in 4 mm x 4 mm 24-pin Leadless WQFN Package
- 5 kV HBM ESD Rating
- -40 to 85°C Operating Temperature Range

### 2 Applications

- High-speed Active Copper Cable Modules and FR-4 Backplane in Communication Systems
- 10GE, 10G-KR, FC, SAS, SATA 3/6 Gbps (with OOB Detection), InfiniBand, CPRI, RXAUI and many others

### 4 Simplified Schematic



### 3 Description

The DS100BR111 is an extremely low power, high performance repeater designed to support serial links with data rates up to 10.3 Gbps. The DS100BR111 pinout is configured as one bidirectional lane (one transmit, one receive channel). The DS100BR111 inputs feature a powerful 4-stage continuous time linear equalizer (CTLE) to provide a boost of up to +36 dB at 5 GHz and open an input eye that is completely closed due to inter-symbol interference (ISI) induced by the interconnect mediums such as board traces or twin-axial copper cables. The transmitter features a programmable output de-emphasis driver with up to -12 dB and can drive output voltage levels from 700 mVp-p to 1300 mVp-p.

When configured as a 10G-KR repeater, the DS100BR111 allows the KR host and the end point to optimize the full link by adjusting transmit and receive equalizer coefficients using back-channel communication techniques specified by the 802.3ap Ethernet standard.

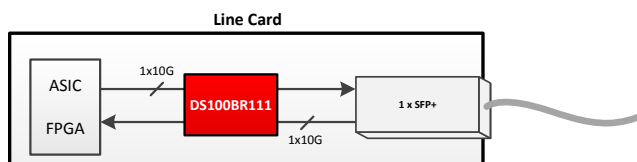
The programmable settings can be applied via pin control, SMBus protocol, or an external EEPROM. In the EEPROM mode, the configuration information is automatically loaded on power up, thereby eliminating the need for an external microprocessor or software driver.

#### Device Information<sup>(1)</sup>

| PART NUMBER | PACKAGE   | BODY SIZE (NOM)   |
|-------------|-----------|-------------------|
| DS100BR111  | WQFN (24) | 4.00 mm x 4.00 mm |

(1) For all available packages, see the orderable addendum at the end of the datasheet.

#### Typical Application



## Table of Contents

|                                                                        |           |                                                                  |           |
|------------------------------------------------------------------------|-----------|------------------------------------------------------------------|-----------|
| <b>1 Features</b> .....                                                | <b>1</b>  | 8.3 Feature Description .....                                    | <b>13</b> |
| <b>2 Applications</b> .....                                            | <b>1</b>  | 8.4 Device Functional Modes .....                                | <b>13</b> |
| <b>3 Description</b> .....                                             | <b>1</b>  | 8.5 Programming .....                                            | <b>16</b> |
| <b>4 Simplified Schematic</b> .....                                    | <b>1</b>  | 8.6 Register Maps .....                                          | <b>30</b> |
| <b>5 Revision History</b> .....                                        | <b>2</b>  | <b>9 Application and Implementation</b> .....                    | <b>37</b> |
| <b>6 Pin Configuration and Functions</b> .....                         | <b>3</b>  | 9.1 Application Information .....                                | <b>37</b> |
| <b>7 Specifications</b> .....                                          | <b>6</b>  | 9.2 Typical Application .....                                    | <b>38</b> |
| 7.1 Absolute Maximum Ratings .....                                     | <b>6</b>  | <b>10 Power Supply Recommendations</b> .....                     | <b>45</b> |
| 7.2 Handling Ratings .....                                             | <b>6</b>  | 10.1 Power Supply Bypass .....                                   | <b>46</b> |
| 7.3 Recommended Operating Conditions .....                             | <b>6</b>  | <b>11 Layout</b> .....                                           | <b>46</b> |
| 7.4 Electrical Characteristics .....                                   | <b>6</b>  | 11.1 Layout Guidelines .....                                     | <b>46</b> |
| 7.5 Electrical Characteristics — Serial Management Bus Interface ..... | <b>9</b>  | 11.2 Layout Example .....                                        | <b>47</b> |
| 7.6 Timing Requirements — LOS and ENABLE / DISABLE Timing .....        | <b>9</b>  | <b>12 Device and Documentation Support</b> .....                 | <b>48</b> |
| 7.7 Typical Characteristics .....                                      | <b>11</b> | 12.1 Documentation Support .....                                 | <b>48</b> |
| <b>8 Detailed Description</b> .....                                    | <b>12</b> | 12.2 Trademarks .....                                            | <b>48</b> |
| 8.1 Overview .....                                                     | <b>12</b> | 12.3 Electrostatic Discharge Caution .....                       | <b>48</b> |
| 8.2 Functional Block Diagram .....                                     | <b>12</b> | 12.4 Glossary .....                                              | <b>48</b> |
|                                                                        |           | <b>13 Mechanical, Packaging, and Orderable Information</b> ..... | <b>48</b> |

## 5 Revision History

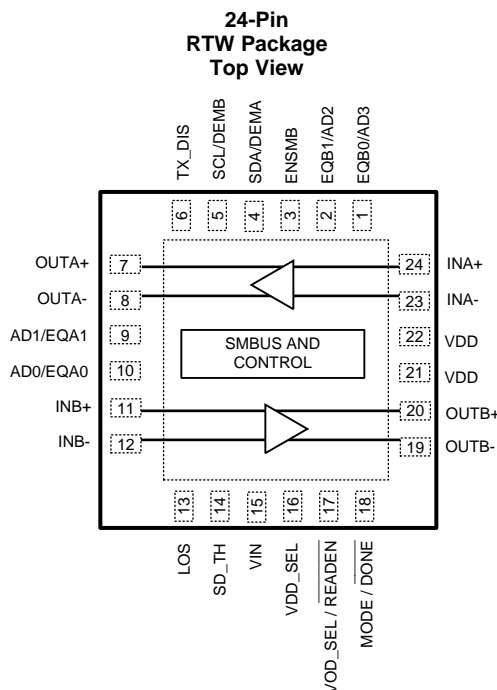
NOTE: Page numbers for previous revisions may differ from page numbers in the current version.

### Changes from Revision E (February 2013) to Revision F

Page

- Added, updated, or renamed the following sections: Device Information Table, *Application and Implementation*; *Power Supply Recommendations*; *Layout*; *Device and Documentation Support*; *Mechanical, Packaging, and Ordering Information* ..... **1**

## 6 Pin Configuration and Functions



- (1) The center DAP on the package bottom is the device GND connection. This pad must be connected to GND through multiple (minimum of 4) vias to ensure optimal electrical and thermal performance.

### Pin Functions<sup>(1)</sup>

| PIN                                  |                  | I/O, TYPE             | DESCRIPTION                                                                                                                                                                        |
|--------------------------------------|------------------|-----------------------|------------------------------------------------------------------------------------------------------------------------------------------------------------------------------------|
| NAME                                 | NUMBER           |                       |                                                                                                                                                                                    |
| <b>DIFFERENTIAL HIGH SPEED I/O's</b> |                  |                       |                                                                                                                                                                                    |
| INA+, INA- ,<br>INB+, INB-           | 24, 23<br>11, 12 | I, CML                | Inverting and non-inverting CML differential inputs to the equalizer. On-chip 50 Ω termination resistors connect both INx+ and INx- to VDD. Compatible with AC coupled CML inputs. |
| OUTA+, OUTA- ,<br>OUTB+, OUTB-       | 7, 8<br>20, 19   | O, CML                | Inverting and non-inverting 50 Ω driver outputs with de-emphasis. Compatible with AC coupled CML inputs.                                                                           |
| <b>CONTROL PINS</b>                  |                  |                       |                                                                                                                                                                                    |
| ENSMB                                | 3                | I, 4-LEVEL,<br>LVCMOS | System Management Bus (SMBus) Enable Pin<br>High = Register Access SMBus Slave Mode<br>Float = Read External EEPROM (SMBus Master Mode)<br>Tie 1 kΩ to GND = Pin Mode              |

- (1) LVCMOS inputs without the "Float" conditions must be driven to a logic low or high at all times or operation is not ensured. Unless the "Float" level is desired, 4-Level input pins require a minimum 1 kΩ resistor to GND, VDD (in 2.5 V mode), or VIN (in 3.3 V mode). Input edge rate for LVCMOS/FLOAT inputs must be faster than 50 ns from 10–90%.

**Pin Functions<sup>(1)</sup> (continued)**

| PIN                                     |               | I/O, TYPE                         | DESCRIPTION                                                                                                                                                                                                                                                                                                                                                                                            |
|-----------------------------------------|---------------|-----------------------------------|--------------------------------------------------------------------------------------------------------------------------------------------------------------------------------------------------------------------------------------------------------------------------------------------------------------------------------------------------------------------------------------------------------|
| NAME                                    | NUMBER        |                                   |                                                                                                                                                                                                                                                                                                                                                                                                        |
| <b>ENSMB = Float or 1 (SMBus MODES)</b> |               |                                   |                                                                                                                                                                                                                                                                                                                                                                                                        |
| SCL                                     | 5             | I, 2-LEVEL, LVCMOS, O, Open Drain | Clock output when loading EEPROM configuration, reverting to SMBus clock input when EEPROM load is complete ( $\overline{\text{ALL\_DONE}} = 0$ ). External 2 k $\Omega$ to 5 k $\Omega$ pull-up resistor to VDD (2.5 V mode) or VIN (3.3 V mode) recommended as per SMBus interface standards <sup>(2)</sup>                                                                                          |
| SDA                                     | 4             | I, 2-LEVEL, LVCMOS, O, Open Drain | In both SMBus Modes, this pin is the SMBus data I/O. Data input or open drain output. External 2 k $\Omega$ to 5 k $\Omega$ pull-up resistor to VDD (2.5 V mode) or VIN (3.3 V mode) recommended as per SMBus interface standards <sup>(2)</sup>                                                                                                                                                       |
| AD0-AD3                                 | 10, 9, 2, 1   | I, 4-LEVEL, LVCMOS                | ENSMB Master or Slave mode<br>SMBus Slave Address Inputs. In SMBus mode, these pins are the user set SMBus slave address inputs. There are 16 addresses supported by these pins. Pins must be tied Low or High when used to define the device SMBus address. <sup>(3)</sup>                                                                                                                            |
| $\overline{\text{READEN}}$              | 17            | I, 2-LEVEL, LVCMOS                | ENSMB = Float: When using SMBus Master Mode, a logic low on this pin starts the load from the external EEPROM.<br>ENSMB = 1: When using SMBus Slave Mode, the VOD_SEL/ $\overline{\text{READEN}}$ pin must be tied Low for the AD[3:0] to be active. If this pin is tied High or left floating, an address of 0xB0 will be used for the DS100BR111.                                                    |
| $\overline{\text{DONE}}$                | 18            | O, 2-LEVEL, LVCMOS                | When using an External EEPROM (ENSMB = Float), Valid Register Load Status Output<br>High = External EEPROM load failed or incomplete<br>Low = External EEPROM load passed                                                                                                                                                                                                                              |
| <b>ENSMB = 0 (PIN MODE)</b>             |               |                                   |                                                                                                                                                                                                                                                                                                                                                                                                        |
| EQA0, EQA1<br>EQB0, EQB1                | 10, 9<br>1, 2 | I, 4-LEVEL, LVCMOS                | EQA[1:0] and EQB[1:0] control the level of equalization on the input pins. EQA[1:0] controls the A channel, and EQB[1:0] controls the B channel. The pins are only active when ENSMB = 0.<br>When ENSMB = 1, the SMBus registers provide independent control of each channel, and the EQB0/B1 pins are converted to SMBus AD2/AD3 inputs.<br>See <a href="#">Table 3</a> for additional information.   |
| DEMA, DEMB                              | 4, 5          | I, 4-LEVEL, LVCMOS                | DEMA and DEMB control the level of de-emphasis for the output driver when in 10G mode. DEMA controls the A channel, and DEMB controls the B channel. The pins are only active when ENSMB = 0.<br>When ENSMB = 1, the SMBus registers provide independent control of each channel, and the DEM pins are converted to SMBus SCL and SDA pins.<br>See <a href="#">Table 4</a> for additional information. |
| VOD_SEL                                 | 17            | I, 4-LEVEL, LVCMOS                | VOD Select<br>High = 10G-KR Mode (VOD = 1.1 Vpp or 1.3 Vpp)<br>Float = (VOD = 1.0 Vpp)<br>20 k $\Omega$ to GND = (VOD = 1.2 Vpp)<br>1 k $\Omega$ to GND = (VOD = 700 mVpp)<br>See <sup>(3)(4)</sup> for additional notes. See <a href="#">Table 2</a> for additional information.                                                                                                                      |
| MODE                                    | 18            | I, 4-LEVEL, LVCMOS                | Controls Device Mode of Operation<br>High = 10GbE Mode, Continuous Talk (Output Always On)<br>Float = 10G-KR Mode, Slow OOB<br>20 k $\Omega$ to GND = eSATA Mode, Fast OOB, Auto Low Power on 100 $\mu$ s of inactivity. SD stays active.<br>1 k $\Omega$ to GND = SAS Mode, Fast OOB                                                                                                                  |

(2) SCL and SDA pins can be tied either to 3.3 V or 2.5 V, regardless of whether the device is operating in 2.5 V mode or 3.3 V mode.

(3) Setting VOD\_SEL = High in SMBus Mode will force the SMBus Address = 0xB0

(4) DS100BR111 OUTA is limited to 700 mVpp in pin mode.

**Pin Functions<sup>(1)</sup> (continued)**

| PIN                                                     |        | I/O, TYPE          | DESCRIPTION                                                                                                                                                                                                                                                                                |
|---------------------------------------------------------|--------|--------------------|--------------------------------------------------------------------------------------------------------------------------------------------------------------------------------------------------------------------------------------------------------------------------------------------|
| NAME                                                    | NUMBER |                    |                                                                                                                                                                                                                                                                                            |
| <b>CONTROL PINS — BOTH PIN AND SMBus MODES (LVCMOS)</b> |        |                    |                                                                                                                                                                                                                                                                                            |
| TX_DIS                                                  | 6      | I, 2-LEVEL, LVCMOS | High = OUTA Enabled, OUTB Disabled<br>Low = OUTA and OUTB Enabled                                                                                                                                                                                                                          |
| LOS                                                     | 13     | O, Open Drain      | Indicates Loss of Signal (Default is LOS on INA). Can be modified via SMBus registers.                                                                                                                                                                                                     |
| SD_TH                                                   | 14     | I, 4-LEVEL, LVCMOS | The SD_TH pin controls LOS threshold setting<br>Assert (mVpp), Deassert (mVpp)<br>High = 190 mVpp, 130 mVpp<br>Float = 180 mVpp, 110 mVpp (Default)<br>20 kΩ to GND = 160 mVpp, 100 mVpp<br>1 kΩ to GND = 210 mVpp, 150 mVpp <sup>(5)</sup>                                                |
| VDD_SEL                                                 | 16     | I, FLOAT           | Enables the 3.3 V to 2.5 V internal regulator<br>Low = 3.3 V Operation<br>Float = 2.5 V Operation                                                                                                                                                                                          |
| <b>POWER</b>                                            |        |                    |                                                                                                                                                                                                                                                                                            |
| VDD                                                     | 21, 22 | Power              | Power supply pins<br>When in 2.5 V mode, connect to 2.5 V supply.<br>When in 3.3 V mode, do not connect to any supply voltage. Should be used to attach external decoupling to device, 100 nF recommended.<br>See <a href="#">Power Supply Recommendations</a> for additional information. |
| VIN                                                     | 15     | Power              | VIN = 3.3 V ± 10% (input to internal LDO regulator)<br>When in 2.5 V mode, VIN pin must be left floating.<br>See <a href="#">Power Supply Recommendations</a> for additional information.                                                                                                  |
| GND                                                     | DAP    | Power              | Ground pad (DAP - die attach pad).                                                                                                                                                                                                                                                         |

(5) Using values less than the default level can extend the time required to detect LOS and are not recommended.

## 7 Specifications

### 7.1 Absolute Maximum Ratings<sup>(1)(2)</sup>

|                              | MIN  | MAX       | UNIT |
|------------------------------|------|-----------|------|
| Supply Voltage (VDD)         | -0.5 | +2.75     | V    |
| Supply Voltage (VIN)         | -0.5 | +4.0      | V    |
| LVC MOS Input/Output Voltage | -0.5 | +4.0      | V    |
| CML Input Voltage            | -0.5 | (VDD+0.5) | V    |
| CML Input Current            | -30  | +30       | mA   |
| Junction Temperature         |      | 125       | °C   |

- (1) "Absolute Maximum Ratings" indicate limits beyond which damage to the device may occur, including inoperability and degradation of device reliability and/or performance. Functional operation of the device and/or non-degradation at the Absolute Maximum Ratings or other conditions beyond those indicated in the Recommended Operating Conditions is not implied.
- (2) For soldering specifications, see [SNOA549](#).

### 7.2 Handling Ratings

|                    | MIN                     | MAX                                                                                      | UNIT |      |    |
|--------------------|-------------------------|------------------------------------------------------------------------------------------|------|------|----|
| T <sub>stg</sub>   | -40                     | +125                                                                                     | °C   |      |    |
| V <sub>(ESD)</sub> | Electrostatic Discharge | Human body model (HBM), per ANSI/ESDA/JEDEC JS-001, all pins <sup>(1)</sup>              | -5   | 5    | kV |
|                    |                         | Machine model (MM), STD - JESD22-A115-A                                                  |      | 100  | V  |
|                    |                         | Charged device model (CDM), per JEDEC specification JESD22-C101, all pins <sup>(2)</sup> |      | 1250 | V  |

- (1) JEDEC document JEP155 states that 500 V HBM allows safe manufacturing with a standard ESD control process.
- (2) JEDEC document JEP157 states that 250 V CDM allows safe manufacturing with a standard ESD control process.

### 7.3 Recommended Operating Conditions<sup>(1)</sup>

|                             | MIN   | TYP | MAX   | UNIT |
|-----------------------------|-------|-----|-------|------|
| Supply Voltage (2.5 V mode) | 2.375 | 2.5 | 2.625 | V    |
| Supply Voltage (3.3 V mode) | 3.0   | 3.3 | 3.6   | V    |
| Ambient Temperature         | -40   | 25  | +85   | °C   |
| SMBus (SDA, SCL)            |       |     | 3.6   | V    |

- (1) The Recommended Operating Conditions indicate conditions at which the device is functional and the device should not be operated beyond such conditions. Absolute Maximum Numbers are ensured for a junction temperature range of -40°C to +125°C. Models are validated to Maximum Operating Voltages only.

### 7.4 Electrical Characteristics

| PARAMETER                        | TEST CONDITIONS                              | MIN                                                                                                         | TYP | MAX | UNIT |    |
|----------------------------------|----------------------------------------------|-------------------------------------------------------------------------------------------------------------|-----|-----|------|----|
| <b>POWER SUPPLY CURRENT</b>      |                                              |                                                                                                             |     |     |      |    |
| IDD                              | Supply Current                               | TX_DIS = Low, EQ = ON<br>VOD_SEL = Float (1000 mVpp)                                                        |     | 50  | 63   | mA |
|                                  |                                              | Auto Low Power Mode<br>TX_DIS = Low, MODE = 20 kΩ<br>VID_CHA and CHB = 0.0 V<br>VOD_SEL = Float (1000 mVpp) |     | 12  | 15   |    |
|                                  |                                              | TX_DIS = High                                                                                               |     | 25  | 35   |    |
| <b>LVC MOS DC SPECIFICATIONS</b> |                                              |                                                                                                             |     |     |      |    |
| V <sub>IH25</sub>                | High Level Input Voltage,<br>2-Level LVC MOS | 2.5 V Supply Mode                                                                                           |     | 2.0 | VDD  | V  |
| V <sub>IH33</sub>                | High Level Input Voltage,<br>2-Level LVC MOS | 3.3 V Supply Mode                                                                                           |     | 2.0 | VIN  | V  |
| V <sub>IL</sub>                  | Low Level Input Voltage,<br>2-Level LVC MOS  |                                                                                                             |     | GND | 0.7  | V  |

**Electrical Characteristics (continued)**

| PARAMETER                             |                                                       | TEST CONDITIONS                                                                                                          | MIN  | TYP  | MAX  | UNIT  |
|---------------------------------------|-------------------------------------------------------|--------------------------------------------------------------------------------------------------------------------------|------|------|------|-------|
| V <sub>OH</sub>                       | High Level Output Voltage                             | I <sub>OH</sub> = -4.0 mA <sup>(1)</sup>                                                                                 | 2.0  |      |      | V     |
| V <sub>OL</sub>                       | Low Level Output Voltage                              | I <sub>OL</sub> = 4.0 mA                                                                                                 |      |      | 0.4  | V     |
| I <sub>IN</sub>                       | Input Leakage Current                                 | V <sub>input</sub> = 0 V or VDD<br>VDD_SEL = Float                                                                       | -15  |      | +15  | μA    |
|                                       |                                                       | V <sub>input</sub> = 0 V or VIN<br>VDD_SEL = Low                                                                         | -15  |      | +15  |       |
| I <sub>IN-P</sub>                     | Input Leakage Current<br>4-Level Input <sup>(2)</sup> | V <sub>input</sub> = 0 V or VDD - 0.05 V<br>VDD_SEL = Float<br>V <sub>input</sub> = 0 V or VIN - 0.05 V<br>VDD_SEL = Low | -160 |      | +80  | μA    |
| <b>CML RECEIVER INPUTS</b>            |                                                       |                                                                                                                          |      |      |      |       |
| V <sub>TX</sub>                       | Source Transmit Launch<br>Differential Signal Level   | Default power-up conditions<br>ENSMB = 0 or 1                                                                            | 190  | 800  | 1600 | mVp-p |
| RL <sub>RX-IN</sub>                   | RX return loss                                        | SDD11 @ 4.1 GHz                                                                                                          |      | -12  |      | dB    |
|                                       |                                                       | SDD11 @ 11.1 GHz                                                                                                         |      | -8   |      |       |
|                                       |                                                       | SCD11 @ 11.1 GHz                                                                                                         |      | -10  |      |       |
| <b>HIGH SPEED TRANSMITTER OUTPUTS</b> |                                                       |                                                                                                                          |      |      |      |       |
| V <sub>OD1</sub>                      | Output Voltage Differential Swing                     | OUT+ and OUT- AC coupled and<br>terminated by 50 Ω to GND<br>VOD_SEL = Low (700 mVpp setting)<br>DE = Low                | 500  | 650  | 800  | mVp-p |
| V <sub>OD2</sub>                      | Output Voltage Differential Swing                     | OUT+ and OUT- AC coupled and<br>terminated by 50 Ω to GND<br>VOD_SEL = Float (1000 mVpp setting)<br>DE = Low             | 800  | 1000 | 1100 |       |
| V <sub>OD3</sub>                      | Output Voltage Differential Swing                     | OUT+ and OUT- AC coupled and<br>terminated by 50 Ω to GND<br>VOD_SEL = 20 kΩ to GND (1200<br>mVpp)<br>DE = Low           | 950  | 1150 | 1350 |       |
| V <sub>OD_DE1</sub>                   | De-Emphasis Levels                                    | OUT+ and OUT- AC coupled and<br>terminated by 50 Ω to GND<br>VOD_SEL = Float (1000 mVpp)<br>DE = Float                   |      | -3   |      | dB    |
| V <sub>OD_DE2</sub>                   | De-Emphasis Levels                                    | OUT+ and OUT- AC coupled and<br>terminated by 50 Ω to GND<br>VOD_SEL = Float (1000 mVpp)<br>DE = 20 kΩ to GND            |      | -6   |      | dB    |

(1) V<sub>OH</sub> only applies to the  $\overline{\text{DONE}}$  pin; LOS, SCL, and SDA are open-drain outputs that have no internal pull-up capability.  $\overline{\text{DONE}}$  is a full LVCMOS output with pull-up and pull-down capability.

(2) Input is held to a maximum of 50 mV below VDD or VIN to simulate the use of a 1 kΩ resistor on the input.

**Electrical Characteristics (continued)**

| PARAMETER                                         |                                                                        | TEST CONDITIONS                                                                                                                       | MIN | TYP  | MAX | UNIT     |
|---------------------------------------------------|------------------------------------------------------------------------|---------------------------------------------------------------------------------------------------------------------------------------|-----|------|-----|----------|
| V <sub>OD_DE3</sub>                               | De-Emphasis Levels                                                     | OUT+ and OUT- AC coupled and terminated by 50 Ω to GND<br>VOD_SEL = Float (1000 mVpp)<br>DE = High                                    |     | -9   |     | dB       |
| V <sub>CM-AC</sub>                                | Output Common-Mode Voltage                                             | AC Common Mode Voltage<br>DE = 0 dB, VOD ≤ 1000 mVpp                                                                                  |     | 4.5  |     | mV (rms) |
| V <sub>CM-DC</sub>                                | Output DC Common-Mode Voltage                                          | DC Common Mode Voltage                                                                                                                | 0   | 1.1  | 1.9 | V        |
| V <sub>IDLE</sub>                                 | TX IDLE Output Voltage                                                 | VID = 0 mVp-p                                                                                                                         |     |      | 30  | mV       |
| R <sub>LTX-DIFF</sub>                             | TX return loss                                                         | SDD22 @ 4.1 GHz                                                                                                                       |     | -13  |     | dB       |
|                                                   |                                                                        | SDD22 @ 11.1 GHz                                                                                                                      |     | -9   |     |          |
|                                                   |                                                                        | SCC22 @ 2.5 GHz                                                                                                                       |     | -22  |     |          |
|                                                   |                                                                        | SCC22 @ 11.1 GHz                                                                                                                      |     | -10  |     |          |
| Delta_Z <sub>M</sub>                              | Transmitter Termination Mismatch                                       | DC, I <sub>FORCE</sub> = ± 100 μA <sup>(3)</sup>                                                                                      |     | 2.5% |     |          |
| T <sub>R/F</sub>                                  | Transmitter Rise and Fall Time                                         | Measurement points at 20% - 80% <sup>(4)</sup>                                                                                        |     | 38   |     | ps       |
| T <sub>PD</sub>                                   | Propagation Delay                                                      | Measured at 50% crossing<br>EQ = 0x00                                                                                                 |     | 230  |     | ps       |
| T <sub>CCSK</sub>                                 | Channel to Channel Skew                                                | T = 25°C, VDD = 2.5 V                                                                                                                 |     | 7    |     | ps       |
| T <sub>PPSK</sub>                                 | Part to Part Skew                                                      | T = 25°C, VDD = 2.5 V                                                                                                                 |     | 20   |     | ps       |
| T <sub>TX-IDLE-SET-TO-IDLE</sub>                  | Max time to transition to idle after differential signal               | VIN = 1 Vpp, 10 Gbps<br>EQ = 0x00, DE = 0 dB                                                                                          |     | 6.5  |     | ns       |
| T <sub>TX-IDLE-TO-DIFF-DATA</sub>                 | Max time to transition to valid differential signal after idle         | VIN = 1 Vpp, 10 Gbps<br>EQ = 0x00, DE = 0 dB                                                                                          |     | 3.2  |     | ns       |
| T <sub>ENV-DISTORT</sub>                          | Active OOB timing distortion, input active time vs. output active time |                                                                                                                                       |     | 3.3  |     | ns       |
| <b>OUTPUT JITTER SPECIFICATIONS<sup>(5)</sup></b> |                                                                        |                                                                                                                                       |     |      |     |          |
| R <sub>J</sub>                                    | Random Jitter                                                          | No Media<br>Source Amplitude = 700 mVpp,<br>PRBS15 pattern,<br>10.3125 Gbps<br>VOD = Default, EQ = minimum,<br>DE = 0 dB              |     | 0.3  |     | ps (rms) |
| D <sub>J1</sub>                                   | Deterministic Jitter                                                   |                                                                                                                                       |     | 0.09 |     | UI       |
| <b>EQUALIZATION</b>                               |                                                                        |                                                                                                                                       |     |      |     |          |
| D <sub>JE1</sub>                                  | Residual Deterministic Jitter                                          | 10.3125 Gbps<br>8 meter 30AWG Cable on Input<br>Source = 700 mVpp, PRBS15 pattern<br>EQ = 0x0F                                        |     | 0.27 |     | UI       |
| D <sub>JE2</sub>                                  | Residual Deterministic Jitter                                          | 10.3125 Gbps<br>30" 4-mil FR4 on Inputs<br>Source = 700 mVpp, PRBS15 pattern<br>EQ = 0x16                                             |     | 0.17 |     | UI       |
| <b>DE-EMPHASIS</b>                                |                                                                        |                                                                                                                                       |     |      |     |          |
| D <sub>JD1</sub>                                  | Residual Deterministic Jitter                                          | 10.3125 Gbps<br>10" 4 mil stripline FR4 on Outputs<br>Source = 700 mVpp, PRBS15 pattern<br>EQ = Min, VOD = 1200 mVpp,<br>DE = -3.5 dB |     | 0.13 |     | UI       |

(3) Force ±100 μA on output, measure ΔV on the Output and calculate impedance. Mismatch is the percentage difference of OUTn+ and OUTn- impedance driving the same logic state.

(4) Default VOD used for testing. DE = -1.5 dB level used to compensate for fixture attenuation.

(5) Typical jitter reported is determined by jitter decomposition software on the DSA8200 Oscilloscope.



## 7.5 Electrical Characteristics — Serial Management Bus Interface

Over recommended operating supply and temperature ranges unless other specified.

| PARAMETER                                                   |                                                                                              | TEST CONDITIONS                                                                  | MIN   | TYP  | MAX  | UNIT |
|-------------------------------------------------------------|----------------------------------------------------------------------------------------------|----------------------------------------------------------------------------------|-------|------|------|------|
| <b>SERIAL BUS INTERFACE DC SPECIFICATIONS<sup>(1)</sup></b> |                                                                                              |                                                                                  |       |      |      |      |
| V <sub>IL</sub>                                             | Data, Clock Input Low Voltage                                                                |                                                                                  |       |      | 0.8  | V    |
| V <sub>IH</sub>                                             | Data, Clock Input High Voltage                                                               |                                                                                  | 2.1   |      | 3.6  | V    |
| I <sub>PULLUP</sub>                                         | Current Through Pull-Up Resistor or Current Source                                           | High Power Specification                                                         | 4     |      |      | mA   |
| V <sub>DD</sub>                                             | Nominal Bus Voltage                                                                          |                                                                                  | 2.375 |      | 3.6  | V    |
| I <sub>LEAK-BUS</sub>                                       | Input Leakage Per Bus Segment                                                                | See <sup>(2)</sup>                                                               | -200  |      | +200 | μA   |
| C <sub>I</sub>                                              | Capacitance for SDA and SCL                                                                  | See <sup>(2)</sup> <sup>(3)</sup> <sup>(4)</sup>                                 |       |      | 10   | pF   |
| R <sub>TERM</sub>                                           | External Termination Resistance pull to V <sub>DD</sub> = 2.5V ± 5% OR 3.3V ± 10%            | Pullup V <sub>DD</sub> = 3.3 V, See <sup>(2)</sup> <sup>(3)</sup> <sup>(5)</sup> |       | 2000 |      | Ω    |
|                                                             |                                                                                              | Pullup V <sub>DD</sub> = 2.5 V, See <sup>(2)</sup> <sup>(3)</sup> <sup>(5)</sup> |       | 1000 |      | Ω    |
| <b>SERIAL BUS INTERFACE TIMING SPECIFICATIONS</b>           |                                                                                              |                                                                                  |       |      |      |      |
| FSMB                                                        | Bus Operating Frequency                                                                      | ENSMB = VDD (Slave Mode)                                                         |       |      | 400  | kHz  |
|                                                             |                                                                                              | ENSMB = Float (Master Mode) <sup>(1)</sup>                                       | 280   | 400  | 520  | kHz  |
| T <sub>BUF</sub>                                            | Bus Free Time Between Stop and Start Condition                                               |                                                                                  | 1.3   |      |      | μs   |
| T <sub>HD:STA</sub>                                         | Hold time after (Repeated) Start Condition. After this period, the first clock is generated. | At I <sub>PULLUP</sub> , Max                                                     | 0.6   |      |      | μs   |
| T <sub>SU:STA</sub>                                         | Repeated Start Condition Setup Time                                                          |                                                                                  | 0.6   |      |      | μs   |
| T <sub>SU:STO</sub>                                         | Stop Condition Setup Time                                                                    |                                                                                  | 0.6   |      |      | μs   |
| T <sub>HD:DAT</sub>                                         | Data Hold Time                                                                               |                                                                                  | 0     |      |      | ns   |
| T <sub>SU:DAT</sub>                                         | Data Setup Time                                                                              |                                                                                  | 100   |      |      | ns   |
| T <sub>LOW</sub>                                            | Clock Low Period                                                                             |                                                                                  | 1.3   |      |      | μs   |
| T <sub>HIGH</sub>                                           | Clock High Period                                                                            | See <sup>(6)</sup>                                                               | 0.6   |      | 50   | μs   |
| t <sub>F</sub>                                              | Clock/Data Fall Time                                                                         | See <sup>(6)</sup>                                                               |       |      | 300  | ns   |
| t <sub>R</sub>                                              | Clock/Data Rise Time                                                                         | See <sup>(6)</sup>                                                               |       |      | 300  | ns   |
| t <sub>POR</sub>                                            | Time in which a device must be operational after power-on reset                              | See <sup>(4)</sup> <sup>(6)</sup>                                                |       |      | 500  | ms   |

(1) EEPROM interface requires 1 MHz capable EEPROM device.

(2) Recommended value.

(3) Recommended maximum capacitance load per bus segment is 400 pF.

(4) Ensured by design and characterization. Parameter not tested in production.

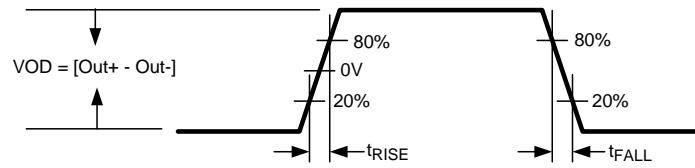
(5) Maximum termination voltage should be identical to the device supply voltage.

(6) Compliant to SMBus 2.0 physical layer specification. See System Management Bus (SMBus) Specification Version 2.0, section 3.1.1 SMBus common AC specifications for details.

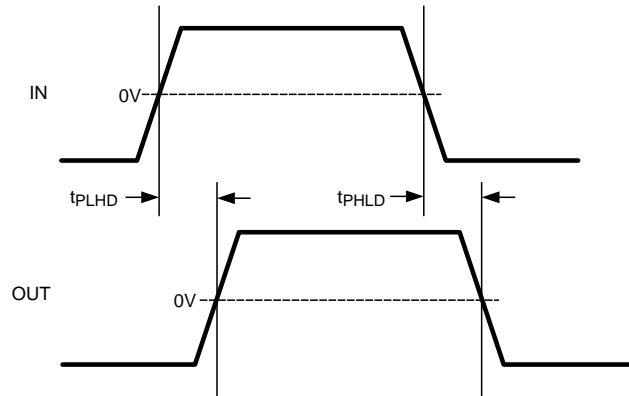
## 7.6 Timing Requirements — LOS and ENABLE / DISABLE Timing

| PARAMETER             |                                                            | TEST CONDITIONS    | MIN | TYP   | MAX | UNIT |
|-----------------------|------------------------------------------------------------|--------------------|-----|-------|-----|------|
| T <sub>LOS_OFF</sub>  | Input IDLE to Active<br>RX_LOS response time               | See <sup>(1)</sup> |     | 0.035 |     | μs   |
| T <sub>LOS_ON</sub>   | Input Active to IDLE<br>RX_LOS response time               | See <sup>(1)</sup> |     | 0.4   |     | μs   |
| T <sub>OFF</sub>      | TX Disable assert Time<br>TX_DIS = High to Output OFF      | See <sup>(1)</sup> |     | 0.005 |     | μs   |
| T <sub>ON</sub>       | TX Disable negateTime<br>TX_DIS = Low to Output ON         | See <sup>(1)</sup> |     | 0.150 |     | μs   |
| T <sub>LP_EXIT</sub>  | Auto Low Power Exit<br>ALP to Normal Operation             | See <sup>(1)</sup> |     | 150   |     | ns   |
| T <sub>LP_ENTER</sub> | Auto Low Power Enter<br>Normal Operation to Auto Low Power | See <sup>(1)</sup> |     | 100   |     | μs   |

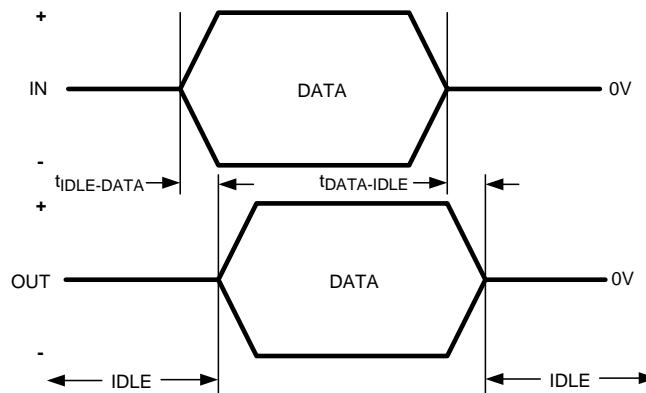
(1) Parameter not tested in production.



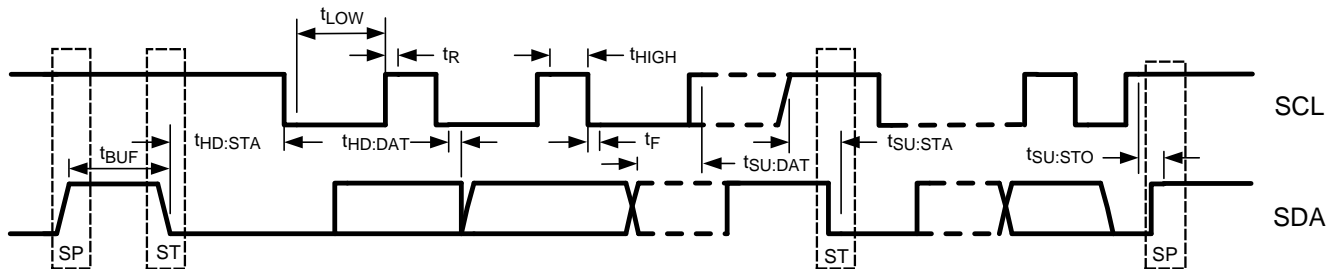
**Figure 1. Output Rise and Fall Transition Times**



**Figure 2. Propagation Delay Timing Diagram**



**Figure 3. Transmit Idle-Data and Data-Idle Response Time**



**Figure 4. SMBus Timing Parameters**

## 7.7 Typical Characteristics

The following data was collected at 25°C.

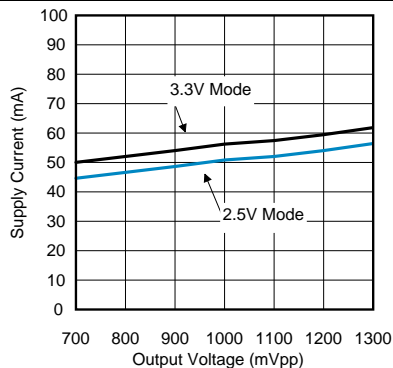
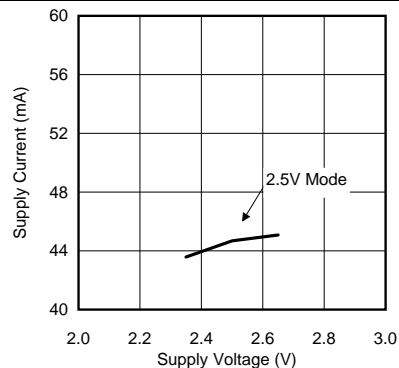


Figure 5. Supply Current vs. Output Voltage Setting



VOD = 700 mVpp

Figure 6. Supply Current vs. Supply Voltage

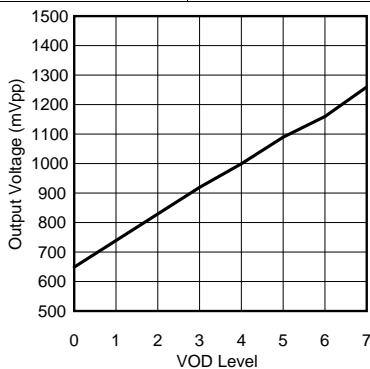


Figure 7. Output Voltage vs. Output Voltage Setting

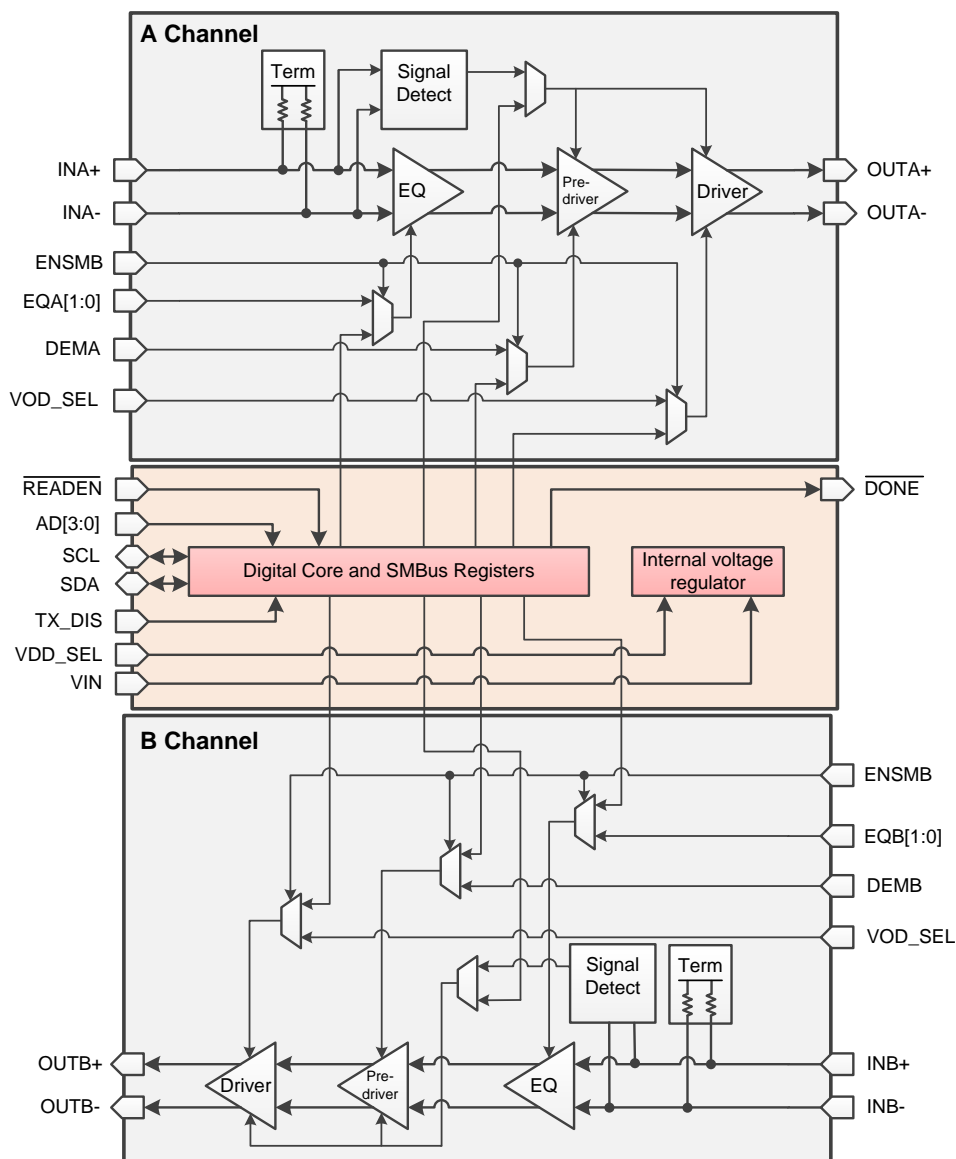
## 8 Detailed Description

### 8.1 Overview

The DS100BR111 is a high performance bidirectional 1-lane repeater optimized for 10G-KR and SAS/SATA operation, where its programmable equalization and de-emphasis compensate for lossy FR-4 printed circuit board backplanes or balanced cables. The DS100BR111 operates in 3 modes: Pin Control Mode (ENSMB = 0), SMBus Slave Mode (ENSMB = 1), and SMBus Master Mode (ENSMB = Float) to load register information from external EEPROM.

Each channel has a signal detector circuit that monitors the input signal amplitude. When the input signal level is below the detector's de-assert level, the output is disabled. When input signal level exceeds the detector's assert level, the output is enabled. The signal detector circuit is used to support the OOB signaling used in SAS and SATA.

### 8.2 Functional Block Diagram



Note: This diagram is representative of device signal flow only.

## 8.3 Feature Description

### 8.3.1 4-Level Control Pin Settings

The 4-level input pins use a resistor divider to set the four valid control levels and provide a wider range of control settings when ENSMB = 0. There is an internal 30-k $\Omega$  pull-up and a 60-k $\Omega$  pull-down connected to the package pin. These resistors, together with the external resistor connection, combine to achieve the desired voltage level. By using the 1-k $\Omega$  pull-down, 20-k $\Omega$  pull-down, no connect, or 1-k $\Omega$  pull-up, the optimal voltage levels for each of the four input states are achieved as shown in [Table 1](#).

**Table 1. 4–Level Control Pin Settings Table**

| LEVEL | SETTING                                  | RESULTING PIN VOLTAGE     |                           |
|-------|------------------------------------------|---------------------------|---------------------------|
|       |                                          | 3.3 V MODE                | 2.5 V MODE                |
| 0     | Tie 1 k $\Omega$ to GND                  | 0.10 V                    | 0.08 V                    |
| R     | Tie 20 k $\Omega$ to GND                 | $1/3 \times V_{IN}$       | $1/3 \times V_{DD}$       |
| F     | Float (leave pin open)                   | $2/3 \times V_{IN}$       | $2/3 \times V_{DD}$       |
| 1     | Tie 1 k $\Omega$ to $V_{IN}$ or $V_{DD}$ | $V_{IN} - 0.05 \text{ V}$ | $V_{DD} - 0.04 \text{ V}$ |

#### Typical 4-Level Input Thresholds:

- Internal Threshold between 0 and R =  $0.2 \times V_{IN}$  or  $V_{DD}$
- Internal Threshold between R and F =  $0.5 \times V_{IN}$  or  $V_{DD}$
- Internal Threshold between F and 1 =  $0.8 \times V_{IN}$  or  $V_{DD}$

In order to minimize the startup current associated with the integrated 2.5-V regulator, the 1-k $\Omega$  pull-up / pull-down resistors are recommended. If several four level inputs require the same setting, it is possible to combine two or more 1-k $\Omega$  resistors into a single lower value resistor. As an example, combining two inputs with a single 500- $\Omega$  resistor is a valid way to save board space.

## 8.4 Device Functional Modes

### 8.4.1 Pin Control Mode

When in Pin Mode (ENSMB = 0), equalization, de-emphasis, and VOD (output amplitude) can be selected via external pin control for both the A-channel and B-channel. Equalization and de-emphasis can be programmed by pin selection for each side independently. For further device control, the VOD\_SEL and MODE pins are available to improve DS100BR111 performance depending on design applications. The receiver electrical idle detect threshold is also adjustable via the SD\_TH pin. Pin control mode is ideal in situations where neither MCU or EEPROM is available to access the device via SMBus SDA and SCL lines.

### 8.4.2 SMBus Slave Mode

When in Slave SMBus Mode (ENSMB = 1), equalization, de-emphasis, and VOD (output amplitude) are all programmable on an individual channel basis. Upon assertion of ENSMB, the EQx, DEMx, and VODx settings are controlled by SMBus immediately. It is important to note that SMBus settings can only be changed from their defaults after asserting Register Enable by setting Reg 0x06[3] = 1. The EQx, DEMx, and VODx pins are subsequently converted to AD0-AD3 SMBus address inputs. The other external control pins (TX\_DIS, MODE, and SD\_TH) remain active unless their respective registers are written to and the appropriate override bit is set. If the user overrides a pin control, the input voltage level of that control pin is ignored until ENSMB is driven low (Pin Mode). In the event that channels are powered down via the TX\_DIS pin, register setting states are not affected.

## Device Functional Modes (continued)

**Table 2. Signal Detect Threshold Level<sup>(1)</sup>**

| LEVEL | SD_TH (Pin 14) | SMBus REG BIT [3:2] and [1:0] | TYPICAL ASSERT LEVEL (mVpp) | TYPICAL DE-ASSERT LEVEL (mVpp) |
|-------|----------------|-------------------------------|-----------------------------|--------------------------------|
| 1     | 0              | 10                            | 210                         | 150                            |
| 2     | R              | 01                            | 160                         | 100                            |
| 3     | F (Default)    | 00                            | 180                         | 110                            |
| 4     | 1              | 11                            | 190                         | 130                            |

(1) Typical assert and de-assert levels were measured with VDD = 2.5 V, 25°C, and 010101 pattern at 8 Gbps.

### 8.4.3 SMBus Master Mode

When in SMBus Master Mode (ENSMB = Float), the equalization, de-emphasis, and VOD (output amplitude) for multiple devices can be loaded via external EEPROM. By asserting a Float condition on the ENSMB pin, an external EEPROM writes register settings to each device in accordance with its SMBus slave address. The settings programmable by external EEPROM provide only a subset of all the register bits available via SMBus Slave Mode, and the bit-mapping between SMBus Slave Mode registers and EEPROM addresses can be referenced in [Table 6](#). Once the EEPROM successfully finishes loading each device's register settings, the device reverts back to SMBus Slave Mode and releases SDA and SCL control to an external master MCU. If the EEPROM fails to load settings to a particular device, for example due to an invalid or blank hex file, the device waits indefinitely in an unknown state where access to the SMBus lines is not possible.

### 8.4.4 Signal Conditioning Settings

Equalization, de-emphasis, and VOD settings accessible via the pin controls are chosen to meet the needs of most high speed applications. For additional levels and flexibility in EQ, de-emphasis, and VOD programming, these settings can be controlled via the SMBus registers. Each control pin input has a total of four possible voltage level settings. In pin mode, [Table 3](#) shows the 16 EQ settings available, and [Table 4](#) shows the 16 de-emphasis and VOD combination settings available. Note that when in pin mode, only 16 of a possible 256 EQ programmable levels can be accessed by setting the EQx[1:0] pins. In addition, each pin setting applied to the VOD\_SEL and DEMx pin input programs a fixed combination of VOD and de-emphasis. In order to access all 256 EQ levels and control both VOD and de-emphasis settings independently, SMBus register access must be used.

**Table 3. Equalizer Settings**

| EQUALIZATION BOOST RELATIVE TO DC |           |           |                   |                   |                                |
|-----------------------------------|-----------|-----------|-------------------|-------------------|--------------------------------|
| LEVEL                             | EQA1 EQB1 | EQA0 EQB0 | EQ — 8 bits [7:0] | dB BOOST at 5 GHz | SUGGESTED MEDIA <sup>(1)</sup> |
| 1                                 | 0         | 0         | 0000 0000 = 0x00  | 2.5               | FR4 < 5 inch trace             |
| 2                                 | 0         | R         | 0000 0001 = 0x01  | 6.5               | FR4 5 inch trace               |
| 3                                 | 0         | F         | 0000 0010 = 0x02  | 9                 | FR4 10 inch trace              |
| 4                                 | 0         | 1         | 0000 0011 = 0x03  | 11.5              | FR4 15 inch trace              |
| 5                                 | R         | 0         | 0000 0111 = 0x07  | 14                | FR4 20 inch trace              |
| 6                                 | R         | R         | 0001 0101 = 0x15  | 15                | FR4 25 inch trace              |
| 7                                 | R         | F         | 0000 1011 = 0x0B  | 17                | FR4 25 inch trace              |
| 8                                 | R         | 1         | 0000 1111 = 0x0F  | 19                | 7m 30 AWG Cable                |
| 9                                 | F         | 0         | 0101 0101 = 0x55  | 20                | FR4 30 inch trace              |

(1) Settings are approximate and will change based on PCB material, trace dimensions, and driver waveform characteristics. Optimal EQ settings should be determined via simulation and prototype verification.

**Table 3. Equalizer Settings (continued)**

| EQUALIZATION BOOST RELATIVE TO DC |              |              |                   |                   |                                      |
|-----------------------------------|--------------|--------------|-------------------|-------------------|--------------------------------------|
| LEVEL                             | EQA1<br>EQB1 | EQA0<br>EQB0 | EQ — 8 bits [7:0] | dB BOOST at 5 GHz | SUGGESTED MEDIA <sup>(1)</sup>       |
| 10                                | F            | R            | 0001 1111 = 0x1F  | 23                | 8m 30 AWG Cable<br>FR4 35 inch trace |
| 11                                | F            | F            | 0010 1111 = 0x2F  | 25                | 10m 30 AWG Cable                     |
| 12                                | F            | 1            | 0011 1111 = 0x3F  | 27                | 10m to 12m, Cable                    |
| 13                                | 1            | 0            | 1010 1010 = 0xAA  | 30                |                                      |
| 14                                | 1            | R            | 0111 1111 = 0x7F  | 31                |                                      |
| 15                                | 1            | F            | 1011 1111 = 0xBF  | 33                |                                      |
| 16                                | 1            | 1            | 1111 1111 = 0xFF  | 34                |                                      |

**Table 4. De-Emphasis and Output Voltage Settings<sup>(1)</sup>**

| LEVEL | VOD_SEL <sup>(2)(3)</sup> | DEMA/B | SMBus REGISTER<br>DEM Level | SMBus REGISTER<br>VOD LEVEL | VOD (mVpp) | DEM (dB) |
|-------|---------------------------|--------|-----------------------------|-----------------------------|------------|----------|
| 1     | 0                         | 0      | 000                         | 000                         | 700        | 0        |
| 2     | 0                         | F      | 010                         | 000                         | 700        | -3.5     |
| 3     | 0                         | R      | 011                         | 000                         | 700        | -6       |
| 4     | 0                         | 1      | 101                         | 000                         | 700        | -9       |
| 5     | F                         | 0      | 000                         | 011                         | 1000       | 0        |
| 6     | F                         | F      | 010                         | 011                         | 1000       | -3.5     |
| 7     | F                         | R      | 011                         | 011                         | 1000       | -6       |
| 8     | F                         | 1      | 101                         | 011                         | 1000       | -9       |
| 9     | R                         | 0      | 000                         | 101                         | 1200       | -0       |
| 10    | R                         | F      | 010                         | 101                         | 1200       | -3.5     |
| 11    | R                         | R      | 011                         | 101                         | 1200       | -6       |
| 12    | R                         | 1      | 101                         | 101                         | 1200       | -9       |
| 13    | 1                         | 0      | 000                         | 100                         | 1100       | 0        |
| 14    | 1                         | F      | 001                         | 100                         | 1100       | -1.5     |
| 15    | 1                         | R      | 001                         | 110                         | 1300       | -1.5     |
| 16    | 1                         | 1      | 010                         | 110                         | 1300       | -3.5     |

- (1) The DS100BR111 VOD for OUTPUT A is limited to 700 mVpp in pin mode (ENSMB=0). With ENSMB = 1 or Float, the VOD for OUTPUT A can be adjusted with SMBus register 0x23 [4:2] as shown in [Table 9](#).
- (2) When VOD\_SEL is in the Logic 1 state (1 kΩ resistor to VIN or VDD), the DS100BR111 will support 10G-KR back-channel communication using pin control.
- (3) In SMBus Mode, if VOD\_SEL is in the Logic 1 state (1 kΩ resistor to VIN or VDD), the DS100BR111 AD0-AD3 pins are internally forced to 0.

## 8.5 Programming

### 8.5.1 System Management Bus (SMBus) and Configuration Registers

The System Management Bus interface is compatible with the SMBus 2.0 physical layer specification. Tie ENSMB = 1 k $\Omega$  to VDD (2.5 V mode) or VIN (3.3 V mode) to enable SMBus Slave Mode and allow access to the configuration registers.

The DS100BR111 uses AD[3:0] inputs in both SMBus Modes. These AD[3:0] pins are the user set SMBus slave address inputs and have internal pull-downs. Based on the SMBus 2.0 specification, the DS100BR111 has a 7-bit slave address. The LSB is set to 0'b (for a WRITE). When AD[3:0] pins are left floating or pulled low, AD[3:0] = 0000'b, and the device default address byte is 0xB0. The device supports up to 16 address bytes, as shown in [Table 5](#).

**Table 5. Device Slave Address Bytes**

| AD[3:0] SETTINGS | FULL SLAVE ADDRESS BYTE<br>(7-Bit ADDRESS + WRITE BIT) | 7-Bit SLAVE ADDRESS (HEX) |
|------------------|--------------------------------------------------------|---------------------------|
| 0000             | B0                                                     | 58                        |
| 0001             | B2                                                     | 59                        |
| 0010             | B4                                                     | 5A                        |
| 0011             | B6                                                     | 5B                        |
| 0100             | B8                                                     | 5C                        |
| 0101             | BA                                                     | 5D                        |
| 0110             | BC                                                     | 5E                        |
| 0111             | BE                                                     | 5F                        |
| 1000             | C0                                                     | 60                        |
| 1001             | C2                                                     | 61                        |
| 1010             | C4                                                     | 62                        |
| 1011             | C6                                                     | 63                        |
| 1100             | C8                                                     | 64                        |
| 1101             | CA                                                     | 65                        |
| 1110             | CC                                                     | 66                        |
| 1111             | CE                                                     | 67                        |

The SDA and SCL pins are 3.3 V tolerant, but are not 5 V tolerant. An external pull-up resistor is required on the SDA and SCL line. The resistor value can be from 2 k $\Omega$  to 5 k $\Omega$  depending on the voltage, loading, and speed.



### 8.5.2 Transfer Of Data Via the SMBus

During normal operation, the data on SDA must be stable during the time when SCL is High.

There are three unique states for the SMBus:

- **START:** A High-to-Low transition on SDA while SCL is High indicates a message START condition.
- **STOP:** A Low-to-High transition on SDA while SCL is High indicates a message STOP condition.
- **IDLE:** If SCL and SDA are both High for a time exceeding  $t_{BUF}$  from the last detected STOP condition or if they are High for a total exceeding the maximum specification for  $t_{HIGH}$ , then the bus will transfer to the IDLE state.

### 8.5.3 SMBus Transactions

The device supports WRITE and READ transactions. See [Table 9](#) for register address, type (Read/Write, Read Only), default value, and function information.

### 8.5.4 Writing a Register

To write a register, the following protocol is used (see SMBus 2.0 specification):

1. The Host drives a START condition, the 7-bit SMBus address, and a “0” indicating a WRITE.
2. The Device (Slave) drives the ACK bit (“0”).
3. The Host drives the 8-bit Register Address.
4. The Device drives an ACK bit (“0”).
5. The Host drive the 8-bit data byte.
6. The Device drives an ACK bit (“0”).
7. The Host drives a STOP condition.

Once the WRITE transaction is completed, the bus goes IDLE and communication with other SMBus devices may now occur.

### 8.5.5 Reading a Register

To read a register, the following protocol is used (see SMBus 2.0 specification):

1. The Host drives a START condition, the 7-bit SMBus address, and a “0” indicating a WRITE.
2. The Device (Slave) drives the ACK bit (“0”).
3. The Host drives the 8-bit Register Address.
4. The Device drives an ACK bit (“0”).
5. The Host drives a START condition.
6. The Host drives the 7-bit SMBus Address, and a “1” indicating a READ.
7. The Device drives an ACK bit “0”.
8. The Device drives the 8-bit data value (register contents).
9. The Host drives a NACK bit “1” indicating end of the READ transfer.
10. The Host drives a STOP condition.

Once the READ transaction is completed, the bus goes IDLE and communication with other SMBus devices may now occur.

Please see [Table 9](#) for more information.

### 8.5.6 EEPROM Programming

The DS100BR111 supports reading directly from an external EEPROM device by implementing SMBus Master mode. When used in SMBus Master mode, the DS100BR111 will read directly from a specific location in the external EEPROM. When designing a system that uses external EEPROM, the following guidelines should be followed:

- Set the DS100BR111 in SMBus Master Mode.
  - ENSMB (Pin 3) = Float
- The external EEPROM device must support 1 MHz operation.
- The external EEPROM device address byte must be 0xA0.
- Set the AD[3:0] inputs for SMBus address byte. When AD[3:0] = 0000'b, the device address byte is 0xB0.
- The device address can be set with the use of the AD[3:0] input up to 16 different addresses. Use the example below to set each of the SMBus addresses.
  - AD[3:0] = 0001'b, the device address byte is 0xB2
  - AD[3:0] = 0010'b, the device address byte is 0xB4
  - AD[3:0] = 0011'b, the device address byte is 0xB6
  - AD[3:0] = 0100'b, the device address byte is 0xB8
- The master implementation in the DS100BR111 supports multiple devices reading from one EEPROM. When tying multiple devices to the SDA and SCL pins, use these guidelines:
  - Use adjacent SMBus addresses for the 4 devices
  - Use a pull-up resistor on SDA; value = 4.7 kΩ
  - Use a pull-up resistor on SCL; value = 4.7 kΩ
  - Daisy-chain  $\overline{\text{READEN}}$  (Pin 17) and  $\overline{\text{DONE}}$  (Pin 18) from one device to the next device in the sequence.
    1. Tie  $\overline{\text{READEN}}$  of the 1st device in the chain (U1) to GND
    2. Tie  $\overline{\text{DONE}}$  of U1 to  $\overline{\text{READEN}}$  of U2
    3. Tie  $\overline{\text{DONE}}$  of U2 to  $\overline{\text{READEN}}$  of U3
    4. Tie  $\overline{\text{DONE}}$  of U3 to  $\overline{\text{READEN}}$  of U4
    5. Optional: Tie  $\overline{\text{DONE}}$  of U4 to a LED to show each of the devices have been loaded successfully

### 8.5.6.1 Master EEPROM Programming

Below is an example of a 2 kbits (256 x 8-bit) EEPROM in hex format for the DS100BR111 device. The first 3 bytes of the EEPROM always contain a header common and necessary to control initialization of all devices connected to the same SMBus line. There is a CRC enable flag to enable or disable CRC checking. There is a MAP bit to flag the presence of an address map that specifies the configuration data start address in the EEPROM. A bit to indicate an EEPROM size > 256 bytes is necessary to address the EEPROM properly. There are 37 bytes of data size for each DS100BR111 device. For more details about EEPROM programming and Master mode, refer to [SNLA228](#).

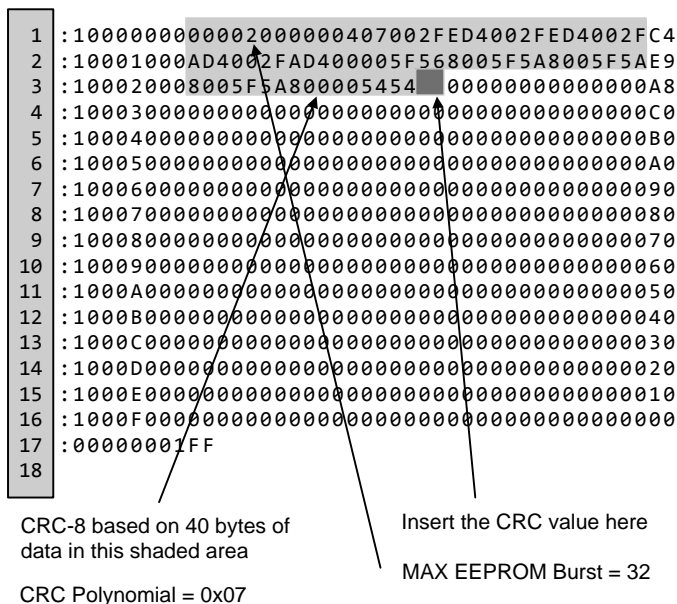


Figure 8. Typical EEPROM Data Set

**NOTE**

The maximum EEPROM size supported is 8 kbits (1024 x 8 bits).

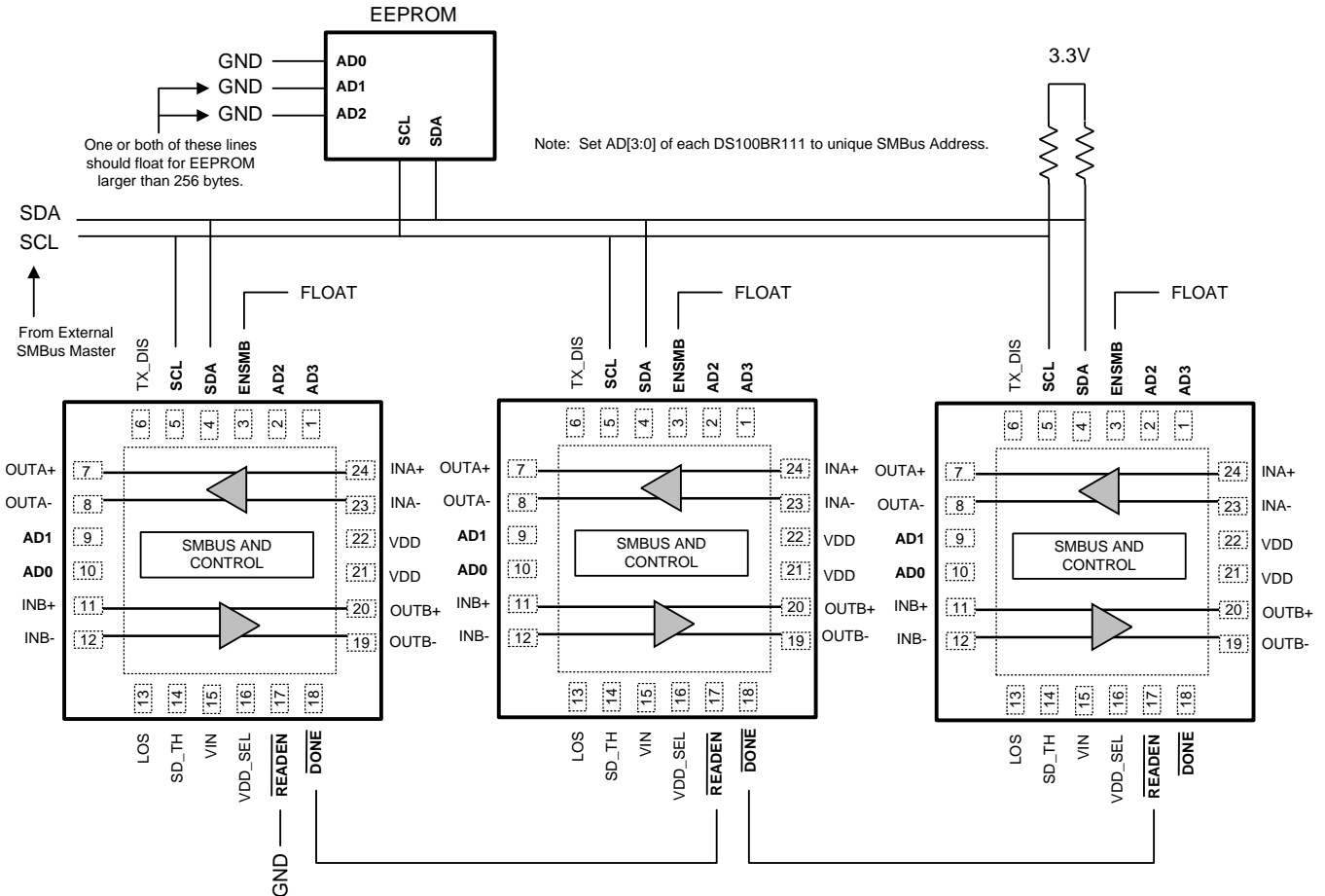
The CRC-8 calculation is performed for each device on the first 3 bytes of header information plus the 37 bytes of data for the DS100BR111 or 40 bytes in total. The result of this calculation is placed immediately after the DS100BR111 data in the EEPROM which ends with "5454". The CRC-8 in the DS100BR111 uses a polynomial =  $x^8 + x^2 + x + 1$ .

There are two pins that provide unique functions in SMBus Master mode:

- DONE
- READEN

When the DS100BR111 is powered up in SMBus Master mode, it reads its configuration from the external EEPROM when the READEN pin goes low. When the DS100BR111 is finished reading its configuration from the external EEPROM, it drives the DONE pin low. In applications where there is more than one DS100BR111 on the same SMBus, bus contention can result if more than one DS100BR111 tries to take control of the SMBus at the same time. The READEN and DONE pins prevent this bus contention. The system should be designed so that the READEN pin from one DS100BR111 in the system is driven low on power-up. This DS100BR111 will take command of the SMBus on power-up and will read its initial configuration from the external EEPROM. When the first DS100BR111 is finished reading its configuration, it will drive the DONE pin low. This pin should be

connected to the  $\overline{\text{READEN}}$  pin of another DS100BR111. When this second DS100BR111 senses its  $\overline{\text{READEN}}$  pin driven low, it will take command of the SMBus and read its initial configuration from the external EEPROM, after which it will set its  $\text{DONE}$  pin low. By connecting the  $\text{DONE}$  pin of each DS100BR111 to the  $\overline{\text{READEN}}$  pin of the next DS100BR111, each DS100BR111 can read its initial configuration from the EEPROM without causing bus contention.



**Figure 9. Typical Multi-device EEPROM Connection Diagram**

### 8.5.6.2 EEPROM Address Mapping

A detailed EEPROM Address Mapping for a single device is shown in [Table 6](#). For instances where multiple devices are written to EEPROM, the device starting address definitions align starting with Byte 0x03. A register map overview for a multi-device EEPROM address map is shown in [Table 7](#).

**Table 6. Single Device with Default Value**

| EEPROM Address Byte |      | BIT 7                    | BIT 6                    | BIT 5                    | BIT 4                    | BIT 3                    | BIT 2                    | BIT 1                    | BIT 0                    |
|---------------------|------|--------------------------|--------------------------|--------------------------|--------------------------|--------------------------|--------------------------|--------------------------|--------------------------|
| Description         | 0x00 | CRC_EN                   | Address Map Present      | EEPROM > 256 Bytes       | Reserved                 | DEVICE COUNT[3]          | DEVICE COUNT[2]          | DEVICE COUNT[1]          | DEVICE COUNT[0]          |
| Default Value       |      | 0                        | 0                        | 0                        | 0                        | 0                        | 0                        | 0                        | 0                        |
| Description         | 0x01 | Reserved                 | Reserved                 | Reserved                 | Reserved                 | Reserved                 | Reserved                 | Reserved                 | Reserved                 |
| Default Value       |      | 0                        | 0                        | 0                        | 0                        | 0                        | 0                        | 0                        | 0                        |
| Description         | 0x02 | Max EEPROM Burst size[7] | Max EEPROM Burst size[6] | Max EEPROM Burst size[5] | Max EEPROM Burst size[4] | Max EEPROM Burst size[3] | Max EEPROM Burst size[2] | Max EEPROM Burst size[1] | Max EEPROM Burst size[0] |
| Default Value       |      | 0                        | 0                        | 0                        | 0                        | 0                        | 0                        | 0                        | 0                        |
| Description         | 0x03 | Cont_talk_EN_CH A        | Cont_talk_EN_CH B        | Reserved                 | Reserved                 | Reserved                 | Sel_LOS                  | Reserved                 | Reserved                 |
| SMBus Register      |      | 0x01[7]                  | 0x01[6]                  | 0x01[5]                  | 0x01[4]                  | 0x01[3]                  | 0x01[2]                  | 0x01[1]                  | 0x01[0]                  |
| Default Value       |      | 0                        | 0                        | 0                        | 0                        | 0                        | 0                        | 0                        | 0                        |
| Description         | 0x04 | Ovrd_LOS                 | LOS_Value                | PWDN_Inputs              | PWDN_Osc                 | Reserved                 | eSATA En CHA             | eSATA En CHB             | Ovrd TX_DIS              |
| SMBus Register      |      | 0x02[5]                  | 0x02[4]                  | 0x02[3]                  | 0x02[2]                  | 0x02[0]                  | 0x04[7]                  | 0x04[6]                  | 0x04[5]                  |
| Default Value       |      | 0                        | 0                        | 0                        | 0                        | 0                        | 0                        | 0                        | 0                        |
| Description         | 0x05 | TX_DIS CHA               | TX_DIS CHB               | Reserved                 | EQ Stage 4 CHB           | EQ Stage 4 CHA           | Reserved                 | Ovrd IDLE_TH             | Reserved                 |
| SMBus Register      |      | 0x04[4]                  | 0x04[3]                  | 0x04[2]                  | 0x04[1]                  | 0x04[0]                  | 0x06[4]                  | 0x08[6]                  | 0x08[5]                  |
| Default Value       |      | 0                        | 0                        | 0                        | 0                        | 0                        | 1                        | 0                        | 0                        |
| Description         | 0x06 | Ovrd IDLE                | Reserved                 | Ovrd Out_Mode            | Ovrd DEM                 | Reserved                 | Reserved                 | Reserved                 | Reserved                 |
| SMBus Register      |      | 0x08[4]                  | 0x08[3]                  | 0x08[2]                  | 0x08[1]                  | 0x08[0]                  | 0x0B[6]                  | 0x0B[5]                  | 0x0B[4]                  |
| Default Value       |      | 0                        | 0                        | 0                        | 0                        | 0                        | 1                        | 1                        | 1                        |
| Description         | 0x07 | Reserved                 | Reserved                 | Reserved                 | Reserved                 | CHA_Idle_Auto            | CHA_Idle_Sel             | Reserved                 | Reserved                 |
| SMBus Register      |      | 0x0B[3]                  | 0x0B[2]                  | 0x0B[1]                  | 0x0B[0]                  | 0x0E[5]                  | 0x0E[4]                  | 0x0E[3]                  | 0x0E[2]                  |
| Default Value       |      | 0                        | 0                        | 0                        | 0                        | 0                        | 0                        | 0                        | 0                        |

**Table 6. Single Device with Default Value (continued)**

| EEPROM Address Byte |      | BIT 7           | BIT 6           | BIT 5           | BIT 4           | BIT 3           | BIT 2           | BIT 1           | BIT 0           |
|---------------------|------|-----------------|-----------------|-----------------|-----------------|-----------------|-----------------|-----------------|-----------------|
| Description         | 0x08 | CHA_EQ[7]       | CHA_EQ[6]       | CHA_EQ[5]       | CHA_EQ[4]       | CHA_EQ[3]       | CHA_EQ[2]       | CH0_EQ[1]       | CH0_EQ[0]       |
| SMBus Register      |      | 0x0F[7]         | 0x0F[6]         | 0x0F[5]         | 0x0F[4]         | 0x0F[3]         | 0x0F[2]         | 0x0F[1]         | 0x0F[0]         |
| Default Value       |      | 0x2F            | 0               | 0               | 1               | 0               | 1               | 1               | 1               |
| Description         | 0x09 | CHA_Sel SCP     | CHA_Out Mode    | Reserved        | Reserved        | Reserved        | Reserved        | Reserved        | Reserved        |
| SMBus Register      |      | 0x10[7]         | 0x10[6]         | 0x10[5]         | 0x10[4]         | 0x10[3]         | 0x10[2]         | 0x10[1]         | 0x10[0]         |
| Default Value       |      | 0xED            | 1               | 1               | 1               | 0               | 1               | 1               | 0               |
| Description         | 0x0A | CHA_DEM[2]      | CHA_DEM[1]      | CHA_DEM[0]      | Reserved        | CHA_Idle_ThA[1] | CHA_Idle_ThA[0] | CHA_Idle_ThD[1] | CHA_Idle_ThD[0] |
| SMBus Register      |      | 0x11[2]         | 0x11[1]         | 0x11[0]         | 0x12[7]         | 0x12[3]         | 0x12[2]         | 0x12[1]         | 0x12[0]         |
| Default Value       |      | 0x40            | 0               | 1               | 0               | 0               | 0               | 0               | 0               |
| Description         | 0x0B | CHB_Idle_Auto   | CHB_Idle_Sel    | Reserved        | Reserved        | CHB_EQ[7]       | CHB_EQ[6]       | CHB_EQ[5]       | CHB_EQ[4]       |
| SMBus Register      |      | 0x15[5]         | 0x15[4]         | 0x15[3]         | 0x15[2]         | 0x16[7]         | 0x16[6]         | 0x16[5]         | 0x16[4]         |
| Default Value       |      | 0x02            | 0               | 0               | 0               | 0               | 0               | 1               | 0               |
| Description         | 0x0C | CHB_EQ[3]       | CHB_EQ[2]       | CHB_EQ[1]       | CHB_EQ[0]       | CHB_Sel SCP     | CHB_Out Mode    | Reserved        | Reserved        |
| SMBus Register      |      | 0x16[3]         | 0x16[2]         | 0x16[1]         | 0x16[0]         | 0x17[7]         | 0x17[6]         | 0x17[5]         | 0x17[4]         |
| Default Value       |      | 0xFE            | 1               | 1               | 1               | 1               | 1               | 1               | 0               |
| Description         | 0x0D | Reserved        | Reserved        | Reserved        | Reserved        | CHB_DEM[2]      | CHB_DEM[1]      | CHB_DEM[0]      | Reserved        |
| SMBus Register      |      | 0x17[3]         | 0x17[2]         | 0x17[1]         | 0x17[0]         | 0x18[2]         | 0x18[1]         | 0x18[0]         | 0x19[7]         |
| Default Value       |      | 0xD4            | 1               | 1               | 0               | 1               | 0               | 1               | 0               |
| Description         | 0x0E | CHB_Idle_ThA[1] | CHB_Idle_ThA[0] | CHB_Idle_ThD[1] | CHB_Idle_ThD[0] | Reserved        | Reserved        | Reserved        | Reserved        |
| SMBus Register      |      | 0x19[3]         | 0x19[2]         | 0x19[1]         | 0x19[0]         | 0x1C[5]         | 0x1C[4]         | 0x1C[3]         | 0x1C[2]         |
| Default Value       |      | 0x00            | 0               | 0               | 0               | 0               | 0               | 0               | 0               |
| Description         | 0x0F | Reserved        | Reserved        | Reserved        | Reserved        | Reserved        | Reserved        | Reserved        | Reserved        |
| SMBus Register      |      | 0x1D[7]         | 0x1D[6]         | 0x1D[5]         | 0x1D[4]         | 0x1D[3]         | 0x1D[2]         | 0x1D[1]         | 0x1D[0]         |
| Default Value       |      | 0x2F            | 0               | 0               | 1               | 0               | 1               | 1               | 1               |

**Table 6. Single Device with Default Value (continued)**

| EEPROM Address Byte |      | BIT 7         | BIT 6      | BIT 5      | BIT 4      | BIT 3          | BIT 2          | BIT 1          | BIT 0         |
|---------------------|------|---------------|------------|------------|------------|----------------|----------------|----------------|---------------|
| Description         | 0x10 | Reserved      | Reserved   | Reserved   | Reserved   | Reserved       | Reserved       | Reserved       | Reserved      |
| SMBus Register      |      | 0x1E[7]       | 0x1E[6]    | 0x1E[5]    | 0x1E[4]    | 0x1E[3]        | 0x1E[2]        | 0x1E[1]        | 0x1E[0]       |
| Default Value       |      | 1             | 0          | 1          | 0          | 1              | 1              | 0              | 1             |
| <hr/>               |      |               |            |            |            |                |                |                |               |
| Description         | 0x11 | Reserved      | Reserved   | Reserved   | Reserved   | Reserved       | Reserved       | Reserved       | Reserved      |
| SMBus Register      |      | 0x1F[2]       | 0x1F[1]    | 0x1F[0]    | 0x20[7]    | 0x20[3]        | 0x20[2]        | 0x20[1]        | 0x20[0]       |
| Default Value       |      | 0             | 1          | 0          | 0          | 0              | 0              | 0              | 0             |
| <hr/>               |      |               |            |            |            |                |                |                |               |
| Description         | 0x12 | Reserved      | CHA_VOD[2] | CHA_VOD[1] | CHA_VOD[0] | Reserved       | Reserved       | Reserved       | Reserved      |
| SMBus Register      |      | 0x23[5]       | 0x23[4]    | 0x23[3]    | 0x23[2]    | 0x24[7]        | 0x24[6]        | 0x24[5]        | 0x24[4]       |
| Default Value       |      | 0             | 0          | 0          | 0          | 0              | 0              | 1              | 0             |
| <hr/>               |      |               |            |            |            |                |                |                |               |
| Description         | 0x13 | Reserved      | Reserved   | Reserved   | Reserved   | Reserved       | Reserved       | Reserved       | Reserved      |
| SMBus Register      |      | 0x24[3]       | 0x24[2]    | 0x24[1]    | 0x24[0]    | 0x25[7]        | 0x25[6]        | 0x25[5]        | 0x25[4]       |
| Default Value       |      | 1             | 1          | 1          | 1          | 1              | 0              | 1              | 0             |
| <hr/>               |      |               |            |            |            |                |                |                |               |
| Description         | 0x14 | Reserved      | Reserved   | Reserved   | Reserved   | Reserved       | Reserved       | Reserved       | Reserved      |
| SMBus Register      |      | 0x25[3]       | 0x25[2]    | 0x25[1]    | 0x25[0]    | 0x26[2]        | 0x26[1]        | 0x26[0]        | 0x27[7]       |
| Default Value       |      | 1             | 1          | 0          | 1          | 0              | 1              | 0              | 0             |
| <hr/>               |      |               |            |            |            |                |                |                |               |
| Description         | 0x15 | Reserved      | Reserved   | Reserved   | Reserved   | Ovrd_Fast IDLE | hi_idle_th_CHA | hi_idle_th_CHB | fast_idle_CHA |
| SMBus Register      |      | 0x27[3]       | 0x27[2]    | 0x27[1]    | 0x27[0]    | 0x28[6]        | 0x28[5]        | 0x28[4]        | 0x28[3]       |
| Default Value       |      | 0             | 0          | 0          | 0          | 0              | 0              | 0              | 0             |
| <hr/>               |      |               |            |            |            |                |                |                |               |
| Description         | 0x16 | fast_idle_CHB | Reserved   | Reserved   | Reserved   | Reserved       | Reserved       | Reserved       | Reserved      |
| SMBus Register      |      | 0x28[2]       | 0x28[1]    | 0x28[0]    | 0x2B[5]    | 0x2B[4]        | 0x2B[3]        | 0x2B[2]        | 0x2C[7]       |
| Default Value       |      | 0             | 0          | 0          | 0          | 0              | 0              | 0              | 0             |
| <hr/>               |      |               |            |            |            |                |                |                |               |
| Description         | 0x17 | Reserved      | Reserved   | Reserved   | Reserved   | Reserved       | Reserved       | Reserved       | Reserved      |
| SMBus Register      |      | 0x2C[6]       | 0x2C[5]    | 0x2C[4]    | 0x2C[3]    | 0x2C[2]        | 0x2C[1]        | 0x2C[0]        | 0x2D[7]       |
| Default Value       |      | 0             | 1          | 0          | 1          | 1              | 1              | 1              | 1             |

**Table 6. Single Device with Default Value (continued)**

| EEPROM Address Byte |      | BIT 7    | BIT 6    | BIT 5      | BIT 4      | BIT 3      | BIT 2    | BIT 1    | BIT 0    |
|---------------------|------|----------|----------|------------|------------|------------|----------|----------|----------|
| Description         |      | Reserved | Reserved | CHB_VOD[2] | CHB_VOD[1] | CHB_VOD[0] | Reserved | Reserved | Reserved |
| SMBus Register      |      | 0x2D[6]  | 0x2D[5]  | 0x2D[4]    | 0x2D[3]    | 0x2D[2]    | 0x2D[1]  | 0x2D[0]  | 0x2E[2]  |
| Default Value       | 0x5A | 0        | 1        | 0          | 1          | 1          | 0        | 1        | 0        |
| Description         |      | Reserved | Reserved | Reserved   | Reserved   | Reserved   | Reserved | Reserved | Reserved |
| SMBus Register      |      | 0x2E[1]  | 0x2E[0]  | 0x2F[7]    | 0x2F[3]    | 0x2F[2]    | 0x2F[1]  | 0x2F[0]  | 0x32[5]  |
| Default Value       | 0x80 | 1        | 0        | 0          | 0          | 0          | 0        | 0        | 0        |
| Description         |      | Reserved | Reserved | Reserved   | Reserved   | Reserved   | Reserved | Reserved | Reserved |
| SMBus Register      |      | 0x32[4]  | 0x32[3]  | 0x32[2]    | 0x33[7]    | 0x33[6]    | 0x33[5]  | 0x33[4]  | 0x33[3]  |
| Default Value       | 0x05 | 0        | 0        | 0          | 0          | 0          | 1        | 0        | 1        |
| Description         |      | Reserved | Reserved | Reserved   | Reserved   | Reserved   | Reserved | Reserved | Reserved |
| SMBus Register      |      | 0x33[2]  | 0x33[1]  | 0x33[0]    | 0x34[7]    | 0x34[6]    | 0x34[5]  | 0x34[4]  | 0x34[3]  |
| Default Value       | 0xF5 | 1        | 1        | 1          | 1          | 0          | 1        | 0        | 1        |
| Description         |      | Reserved | Reserved | Reserved   | Reserved   | Reserved   | Reserved | Reserved | Reserved |
| SMBus Register      |      | 0x34[2]  | 0x34[1]  | 0x34[0]    | 0x35[2]    | 0x35[1]    | 0x35[0]  | 0x36[7]  | 0x36[3]  |
| Default Value       | 0xA8 | 1        | 0        | 1          | 0          | 1          | 0        | 0        | 0        |
| Description         |      | Reserved | Reserved | Reserved   | Reserved   | Reserved   | Reserved | Reserved | Reserved |
| SMBus Register      |      | 0x36[2]  | 0x36[1]  | 0x36[0]    | 0x39[5]    | 0x39[4]    | 0x39[3]  | 0x39[2]  | 0x3A[7]  |
| Default Value       | 0x00 | 0        | 0        | 0          | 0          | 0          | 0        | 0        | 0        |
| Description         |      | Reserved | Reserved | Reserved   | Reserved   | Reserved   | Reserved | Reserved | Reserved |
| SMBus Register      |      | 0x3A[6]  | 0x3A[5]  | 0x3A[4]    | 0x3A[3]    | 0x3A[2]    | 0x3A[1]  | 0x3A[0]  | 0x3B[7]  |
| Default Value       | 0x5F | 0        | 1        | 0          | 1          | 1          | 1        | 1        | 1        |
| Description         |      | Reserved | Reserved | Reserved   | Reserved   | Reserved   | Reserved | Reserved | Reserved |
| SMBus Register      |      | 0x3B[6]  | 0x3B[5]  | 0x3B[4]    | 0x3B[3]    | 0x3B[2]    | 0x3B[1]  | 0x3B[0]  | 0x3C[2]  |
| Default Value       | 0x5A | 0        | 1        | 0          | 1          | 1          | 0        | 1        | 0        |



**Table 6. Single Device with Default Value (continued)**

| EEPROM Address Byte |      | BIT 7    | BIT 6    | BIT 5    | BIT 4    | BIT 3    | BIT 2    | BIT 1    | BIT 0    |
|---------------------|------|----------|----------|----------|----------|----------|----------|----------|----------|
| Description         | 0x20 | Reserved | Reserved | Reserved | Reserved | Reserved | Reserved | Reserved | Reserved |
| SMBus Register      |      | 0x3C[1]  | 0x3C[0]  | 0x3D[7]  | 0x3D[3]  | 0x3D[2]  | 0x3D[1]  | 0x3D[0]  | 0x40[5]  |
| Default Value       |      | 0x80     | 1        | 0        | 0        | 0        | 0        | 0        | 0        |
| Description         | 0x21 | Reserved | Reserved | Reserved | Reserved | Reserved | Reserved | Reserved | Reserved |
| SMBus Register      |      | 0x40[4]  | 0x40[3]  | 0x40[2]  | 0x41[7]  | 0x41[6]  | 0x41[5]  | 0x41[4]  | 0x41[3]  |
| Default Value       |      | 0x05     | 0        | 0        | 0        | 0        | 1        | 0        | 1        |
| Description         | 0x22 | Reserved | Reserved | Reserved | Reserved | Reserved | Reserved | Reserved | Reserved |
| SMBus Register      |      | 0x41[2]  | 0x41[1]  | 0x41[0]  | 0x42[7]  | 0x42[6]  | 0x42[5]  | 0x42[4]  | 0x42[3]  |
| Default Value       |      | 0xF5     | 1        | 1        | 1        | 1        | 0        | 1        | 0        |
| Description         | 0x23 | Reserved | Reserved | Reserved | Reserved | Reserved | Reserved | Reserved | Reserved |
| SMBus Register      |      | 0x42[2]  | 0x42[1]  | 0x42[0]  | 0x43[2]  | 0x43[1]  | 0x43[0]  | 0x44[7]  | 0x44[3]  |
| Default Value       |      | 0xA8     | 1        | 0        | 1        | 0        | 1        | 0        | 0        |
| Description         | 0x24 | Reserved | Reserved | Reserved | Reserved | Reserved | Reserved | Reserved | Reserved |
| SMBus Register      |      | 0x44[2]  | 0x44[1]  | 0x44[0]  | 0x47[3]  | 0x47[2]  | 0x47[1]  | 0x47[0]  | 0x48[7]  |
| Default Value       |      | 0x00     | 0        | 0        | 0        | 0        | 0        | 0        | 0        |
| Description         | 0x25 | Reserved | Reserved | Reserved | Reserved | Reserved | Reserved | Reserved | Reserved |
| SMBus Register      |      | 0x48[6]  | 0x4C[7]  | 0x4C[6]  | 0x4C[5]  | 0x4C[4]  | 0x4C[3]  | 0x4C[0]  | 0x59[0]  |
| Default Value       |      | 0x00     | 0        | 0        | 0        | 0        | 0        | 0        | 0        |
| Description         | 0x26 | Reserved | Reserved | Reserved | Reserved | Reserved | Reserved | Reserved | Reserved |
| SMBus Register      |      | 0x5A[7]  | 0x5A[6]  | 0x5A[5]  | 0x5A[4]  | 0x5A[3]  | 0x5A[2]  | 0x5A[1]  | 0x5A[0]  |
| Default Value       |      | 0x54     | 0        | 1        | 0        | 1        | 0        | 1        | 0        |
| Description         | 0x27 | Reserved | Reserved | Reserved | Reserved | Reserved | Reserved | Reserved | Reserved |
| SMBus Register      |      | 0x5B[7]  | 0x5B[6]  | 0x5B[5]  | 0x5B[4]  | 0x5B[3]  | 0x5B[2]  | 0x5B[1]  | 0x5B[0]  |
| Default Value       |      | 0x54     | 0        | 1        | 0        | 1        | 0        | 1        | 0        |

**Table 7. Multi-Device EEPROM Address Map Overview<sup>(1)</sup>**

|                  | ADDR | BIT 7       | BIT 6       | BIT 5              | BIT 4       | BIT 3       | BIT 2       | BIT 1       | BIT 0       |
|------------------|------|-------------|-------------|--------------------|-------------|-------------|-------------|-------------|-------------|
| Header           | 0    | CRC EN      | Address Map | EEPROM > 256 Bytes | Reserved    | COUNT[3]    | COUNT[2]    | COUNT[1]    | COUNT[0]    |
|                  | 1    | Reserved    | Reserved    | Reserved           | Reserved    | Reserved    | Reserved    | Reserved    | Reserved    |
|                  | 2    | EE Burst[7] | EE Burst[6] | EE Burst[5]        | EE Burst[4] | EE Burst[3] | EE Burst[2] | EE Burst[1] | EE Burst[0] |
| Device 0 Info    | 3    | CRC[7]      | CRC[6]      | CRC[5]             | CRC[4]      | CRC[3]      | CRC[2]      | CRC[1]      | CRC[0]      |
|                  | 4    | EE AD0 [7]  | EE AD0 [6]  | EE AD0 [5]         | EE AD0 [4]  | EE AD0 [3]  | EE AD0 [2]  | EE AD0 [1]  | EE AD0 [0]  |
| Device 1 Info    | 5    | CRC[7]      | CRC[6]      | CRC[5]             | CRC[4]      | CRC[3]      | CRC[2]      | CRC[1]      | CRC[0]      |
|                  | 6    | EE AD1 [7]  | EE AD1 [6]  | EE AD1 [5]         | EE AD1 [4]  | EE AD1 [3]  | EE AD1 [2]  | EE AD1 [1]  | EE AD1 [0]  |
| Device 2 Info    | 7    | CRC[7]      | CRC[6]      | CRC[5]             | CRC[4]      | CRC[3]      | CRC[2]      | CRC[1]      | CRC[0]      |
|                  | 8    | EE AD2 [7]  | EE AD2 [6]  | EE AD2 [5]         | EE AD2 [4]  | EE AD2 [3]  | EE AD2 [2]  | EE AD2 [1]  | EE AD2 [0]  |
| Device 3 Info    | 9    | CRC[7]      | CRC[6]      | CRC[5]             | CRC[4]      | CRC[3]      | CRC[2]      | CRC[1]      | CRC[0]      |
|                  | 10   | EE AD3 [7]  | EE AD3 [6]  | EE AD3 [5]         | EE AD3 [4]  | EE AD3 [3]  | EE AD3 [2]  | EE AD3 [1]  | EE AD3 [0]  |
| Device 0 Addr 3  | 11   | RES         | RES         | RES                | RES         | RES         | Sel_LOS     | RES         | RES         |
| Device 0 Addr 4  | 12   | Ovrd_LOS    | LOS_Value   | PWDN Inp           | PWDN OSC    | RES         | eSATA CHA   | eSATA CHB   | Ovrd TX_DIS |
| Device 0 Addr 38 | 46   | RES         | RES         | RES                | RES         | RES         | RES         | RES         | RES         |
| Device 0 Addr 39 | 47   | RES         | RES         | RES                | RES         | RES         | RES         | RES         | RES         |
| Device 1 Addr 3  | 48   | RES         | RES         | RES                | RES         | RES         | Sel_LOS     | RES         | RES         |
| Device 1 Addr 4  | 49   | Ovrd_LOS    | LOS_Value   | PWDN Inp           | PWDN OSC    | RES         | eSATA CHA   | eSATA CHB   | Ovrd TX_DIS |
| Device 1 Addr 38 | 83   | RES         | RES         | RES                | RES         | RES         | RES         | RES         | RES         |
| Device 1 Addr 39 | 84   | RES         | RES         | RES                | RES         | RES         | RES         | RES         | RES         |
| Device 2 Addr 3  | 85   | RES         | RES         | RES                | RES         | RES         | Sel_LOS     | RES         | RES         |
| Device 2 Addr 4  | 86   | Ovrd_LOS    | LOS_Value   | PWDN Inp           | PWDN OSC    | RES         | eSATA CHA   | eSATA CHB   | Ovrd TX_DIS |

(1) (a) CRC EN = 1; Address Map = 1

(b) EEPROM > 256 Bytes = 0

(c) COUNT[3:0] = 0011'b

(d) Note: Multiple DS100BR111 devices may point at the same address space if they have identical programming values.

**Table 7. Multi-Device EEPROM Address Map Overview<sup>(1)</sup> (continued)**

|                     | ADDR | BIT 7    | BIT 6     | BIT 5    | BIT 4    | BIT 3 | BIT 2     | BIT 1     | BIT 0       |
|---------------------|------|----------|-----------|----------|----------|-------|-----------|-----------|-------------|
| Device 2<br>Addr 38 | 120  | RES      | RES       | RES      | RES      | RES   | RES       | RES       | RES         |
| Device 2<br>Addr 39 | 121  | RES      | RES       | RES      | RES      | RES   | RES       | RES       | RES         |
| Device 3<br>Addr 3  | 122  | RES      | RES       | RES      | RES      | RES   | Sel_LOS   | RES       | RES         |
| Device 3<br>Addr 4  | 123  | Ovrd_LOS | LOS_Value | PWDN Inp | PWDN OSC | RES   | eSATA CHA | eSATA CHB | Ovrd TX_DIS |
| Device 3<br>Addr 38 | 157  | RES      | RES       | RES      | RES      | RES   | RES       | RES       | RES         |
| Device 3<br>Addr 39 | 158  | RES      | RES       | RES      | RES      | RES   | RES       | RES       | RES         |

**Table 8. Multi DS100BR111 EEPROM Data**

| EEPROM ADDRESS | ADDRESS (HEX) | EEPROM DATA | COMMENTS                                                               |
|----------------|---------------|-------------|------------------------------------------------------------------------|
| 0              | 00            | 0x43        | CRC_EN = 0, Address Map = 1, Device Count = 3 (Devices 0, 1, 2, and 3) |
| 1              | 01            | 0x00        |                                                                        |
| 2              | 02            | 0x08        | EEPROM Burst Size                                                      |
| 3              | 03            | 0x00        | CRC not used                                                           |
| 4              | 04            | 0x0B        | Device 0 Address Location                                              |
| 5              | 05            | 0x00        | CRC not used                                                           |
| 6              | 06            | 0x30        | Device 1 Address Location                                              |
| 7              | 07            | 0x00        | CRC not used                                                           |
| 8              | 08            | 0x30        | Device 2 Address Location                                              |
| 9              | 09            | 0x00        | CRC not used                                                           |
| 10             | 0A            | 0x0B        | Device 3 Address Location                                              |
| 11             | 0B            | 0x00        | Begin Device 0 and Device 3 - Address Offset 3                         |
| 12             | 0C            | 0x00        |                                                                        |
| 13             | 0D            | 0x04        |                                                                        |
| 14             | 0E            | 0x07        |                                                                        |
| 15             | 0F            | 0x00        |                                                                        |
| 16             | 10            | 0x2F        | Default EQ CHA                                                         |
| 17             | 11            | 0xED        |                                                                        |
| 18             | 12            | 0x40        |                                                                        |
| 19             | 13            | 0x02        | Default EQ CHB                                                         |
| 20             | 14            | 0xFE        | Default EQ CHB                                                         |
| 21             | 15            | 0xD4        |                                                                        |
| 22             | 16            | 0x00        |                                                                        |
| 23             | 17            | 0x2F        |                                                                        |
| 24             | 18            | 0xAD        |                                                                        |
| 25             | 19            | 0x40        |                                                                        |
| 26             | 1A            | 0x02        | BR111 CHA VOD = 700 mVpp                                               |
| 27             | 1B            | 0xFA        |                                                                        |
| 28             | 1C            | 0xD4        |                                                                        |
| 29             | 1D            | 0x00        |                                                                        |
| 30             | 1E            | 0x00        |                                                                        |
| 31             | 1F            | 0x5F        |                                                                        |
| 32             | 20            | 0x5A        | BR111 CHB VOD = 1000 mVpp                                              |
| 33             | 21            | 0x80        |                                                                        |
| 34             | 22            | 0x05        |                                                                        |
| 35             | 23            | 0xF5        |                                                                        |
| 36             | 24            | 0xA8        |                                                                        |
| 37             | 25            | 0x00        |                                                                        |
| 38             | 26            | 0x5F        |                                                                        |
| 39             | 27            | 0x5A        |                                                                        |
| 40             | 28            | 0x80        |                                                                        |
| 41             | 29            | 0x05        |                                                                        |
| 42             | 2A            | 0xF5        |                                                                        |
| 43             | 2B            | 0xA8        |                                                                        |
| 44             | 2C            | 0x00        |                                                                        |
| 45             | 2D            | 0x00        |                                                                        |
| 46             | 2E            | 0x54        |                                                                        |

**Table 8. Multi DS100BR111 EEPROM Data (continued)**

| EEPROM ADDRESS | ADDRESS (HEX) | EEPROM DATA | COMMENTS                                       |
|----------------|---------------|-------------|------------------------------------------------|
| 47             | 2F            | 0x54        | End Device 0 and Device 3 - Address Offset 39  |
| 48             | 30            | 0x00        | Begin Device 1 and Device 2 - Address Offset 3 |
| 49             | 31            | 0x00        |                                                |
| 50             | 32            | 0x04        |                                                |
| 51             | 33            | 0x07        |                                                |
| 52             | 34            | 0x00        |                                                |
| 53             | 35            | 0x2F        | Default EQ CHA                                 |
| 54             | 36            | 0xED        |                                                |
| 55             | 37            | 0x40        |                                                |
| 56             | 38            | 0x02        | Default EQ CHB                                 |
| 57             | 39            | 0xFE        | Default EQ CHB                                 |
| 58             | 3A            | 0xD4        |                                                |
| 59             | 3B            | 0x00        |                                                |
| 60             | 3C            | 0x2F        |                                                |
| 61             | 3D            | 0xAD        |                                                |
| 62             | 3E            | 0x40        |                                                |
| 63             | 3F            | 0x02        | BR111 CHA VOD = 700 mVpp                       |
| 64             | 40            | 0xFA        |                                                |
| 65             | 41            | 0xD4        |                                                |
| 66             | 42            | 0x00        |                                                |
| 67             | 43            | 0x00        |                                                |
| 68             | 44            | 0x5F        |                                                |
| 69             | 45            | 0x5A        | BR111 CHB VOD = 1000 mVpp                      |
| 70             | 46            | 0x80        |                                                |
| 71             | 47            | 0x05        |                                                |
| 72             | 48            | 0xF5        |                                                |
| 73             | 49            | 0xA8        |                                                |
| 74             | 4A            | 0x00        |                                                |
| 75             | 4B            | 0x5F        |                                                |
| 76             | 4C            | 0x5A        |                                                |
| 77             | 4D            | 0x80        |                                                |
| 78             | 4E            | 0x05        |                                                |
| 79             | 4F            | 0xF5        |                                                |
| 80             | 50            | 0xA8        |                                                |
| 81             | 51            | 0x00        |                                                |
| 82             | 52            | 0x00        |                                                |
| 83             | 53            | 0x54        |                                                |
| 84             | 54            | 0x54        | End Device 1 and Device 2 - Address Offset 39  |

## 8.6 Register Maps

**Table 9. SMBus Slave Mode Register Map**

| ADDRESS | REGISTER NAME | BIT  | FIELD                       | TYPE | DEFAULT | EEPROM REG BIT | DESCRIPTION                                                                                                                                                                                                                                                                                                                                                                                     |                                                                |
|---------|---------------|------|-----------------------------|------|---------|----------------|-------------------------------------------------------------------------------------------------------------------------------------------------------------------------------------------------------------------------------------------------------------------------------------------------------------------------------------------------------------------------------------------------|----------------------------------------------------------------|
| 0x00    | Device ID     | 7    | Reserved                    | R/W  | 0x00    |                | Set bit to 0                                                                                                                                                                                                                                                                                                                                                                                    |                                                                |
|         |               | 6:3  | SMBus Address [3:0]         | R    |         |                | SMBus strap observation                                                                                                                                                                                                                                                                                                                                                                         |                                                                |
|         |               | 2    | EEPROM Reading Done         | R    |         |                | 1 = EEPROM Done Loading<br>0 = EEPROM Loading                                                                                                                                                                                                                                                                                                                                                   |                                                                |
|         |               | 1:0  | Reserved                    | RWSC |         |                | Set bits to 0                                                                                                                                                                                                                                                                                                                                                                                   |                                                                |
| 0x01    | Control 1     | 7:6  | Idle Control                | R/W  | 0x00    | Yes            | Continuous Talk Control (Output Always On)<br>[7]: Continuous talk ENABLE (Channel A)<br>[6]: Continuous talk ENABLE (Channel B)                                                                                                                                                                                                                                                                |                                                                |
|         |               | 5:3  | Reserved                    |      |         |                | Set bits to 0                                                                                                                                                                                                                                                                                                                                                                                   |                                                                |
|         |               | 2    | LOS Select                  |      |         |                | LOS Monitor Selection<br>1 = Use LOS from CH B<br>0 = Use LOS from CH A                                                                                                                                                                                                                                                                                                                         |                                                                |
|         |               | 1:0  | Reserved                    |      |         |                | Set bits to 0                                                                                                                                                                                                                                                                                                                                                                                   |                                                                |
| 0x02    | Control 2     | 7:6  | Reserved                    | R/W  | 0x00    |                | Set bits to 0                                                                                                                                                                                                                                                                                                                                                                                   |                                                                |
|         |               | 5    | LOS override                |      |         |                | Yes                                                                                                                                                                                                                                                                                                                                                                                             | 1 = LOS pin override enable<br>0 = Use Normal Signal Detection |
|         |               | 4    | LOS override value          |      |         |                | Yes                                                                                                                                                                                                                                                                                                                                                                                             | 1 = Normal Operation<br>0 = Output LOS                         |
|         |               | 3    | PWDN Inputs                 |      |         |                | Yes                                                                                                                                                                                                                                                                                                                                                                                             | 1 = PWDN                                                       |
|         |               | 2    | PWDN Oscillator             |      |         |                | Yes                                                                                                                                                                                                                                                                                                                                                                                             | 0 = Normal Operation                                           |
|         |               | 1    | Reserved                    |      |         |                |                                                                                                                                                                                                                                                                                                                                                                                                 | Set bit to 0                                                   |
|         |               | 0    | Reserved                    |      |         |                | Yes                                                                                                                                                                                                                                                                                                                                                                                             | Set bit to 0                                                   |
|         |               | 0x03 | Reserved                    |      |         |                | 7:0                                                                                                                                                                                                                                                                                                                                                                                             | Reserved                                                       |
| 0x04    | Control 3     | 7:6  | eSATA Mode Enable           | R/W  | 0x00    | Yes            | [7] Channel A (1)<br>[6] Channel B (1)                                                                                                                                                                                                                                                                                                                                                          |                                                                |
|         |               | 5    | TX_DIS Override Enable      |      |         |                | 1 = Override Use Reg 0x04[4:3]<br>0 = Normal Operation - uses pin                                                                                                                                                                                                                                                                                                                               |                                                                |
|         |               | 4    | TX_DIS Value Channel A      |      |         |                | 1 = Channel A TX Disabled<br>0 = Channel A TX Enabled                                                                                                                                                                                                                                                                                                                                           |                                                                |
|         |               | 3    | TX_DIS Value Channel B      |      |         |                | 1 = Channel B TX Disabled<br>0 = Channel B TX Enabled                                                                                                                                                                                                                                                                                                                                           |                                                                |
|         |               | 2    | Reserved                    |      |         |                | Set bit to 0                                                                                                                                                                                                                                                                                                                                                                                    |                                                                |
|         |               | 1:0  | EQ Stage 4 Limiting Control |      |         |                | [1]: Channel B - EQ Stage 4 Limiting On/Off<br>[0]: Channel A - EQ Stage 4 Limiting On/Off<br>Setting this control bit turns on added voltage gain compared to normal operating range. If the bits are set to 1 (On), the EQ will act as a limiting amplifier, resulting in reduction of overall linear gain characteristics. Turning these bits On is not recommended for 10G-KR applications. |                                                                |
| 0x05    | Reserved      | 7:0  | Reserved                    | R/W  | 0x00    |                | Reserved                                                                                                                                                                                                                                                                                                                                                                                        |                                                                |

**Register Maps (continued)**
**Table 9. SMBus Slave Mode Register Map (continued)**

| ADDRESS   | REGISTER NAME             | BIT | FIELD                   | TYPE | DEFAULT | EEPROM REG BIT | DESCRIPTION                                                                                                                                                                                                 |
|-----------|---------------------------|-----|-------------------------|------|---------|----------------|-------------------------------------------------------------------------------------------------------------------------------------------------------------------------------------------------------------|
| 0x06      | Slave Register Control    | 7   | Disable EEPROM CFG      | R/W  | 0x10    |                | Disable Master Mode EEPROM Configuration                                                                                                                                                                    |
|           |                           | 6:5 | Reserved                |      |         |                | Set bits to 0                                                                                                                                                                                               |
|           |                           | 4   | Reserved                |      |         | Yes            | Set bit to 1                                                                                                                                                                                                |
|           |                           | 3   | Register Enable         |      |         |                | 1 = Enable SMBus Slave Mode Register Control<br>0 = Disable SMBus Slave Mode Register Control<br><b>Note: In order to change VOD, DEM, and EQ of the channels in slave mode, this bit must be set to 1.</b> |
|           |                           | 2:1 | Reserved                |      |         |                | Set bits to 0                                                                                                                                                                                               |
|           |                           | 0   | Reserved                |      |         |                | Set bit to 0                                                                                                                                                                                                |
| 0x07      | Digital Reset and Control | 7   | Reserved                | R/W  | 0x01    |                | Set bit to 0                                                                                                                                                                                                |
|           |                           | 6   | Reset Registers         |      |         |                | 1 = Self clearing reset for SMBus registers (register settings return to default values)                                                                                                                    |
|           |                           | 5   | Reset SMBus Master      |      |         |                | 1 = Self clearing reset to SMBus master state machine                                                                                                                                                       |
|           |                           | 4:0 | Reserved                |      |         |                | Set bits to 0 0001'b                                                                                                                                                                                        |
| 0x08      | Pin Override              | 7   | Reserved                | R/W  | 0x00    |                | Set bit to 0                                                                                                                                                                                                |
|           |                           | 6   | Override Idle Threshold |      |         | Yes            | 1 = Override by Channel - see Reg 0x13 and 0x19<br>0 = SD_TH pin control                                                                                                                                    |
|           |                           | 5   | Reserved                |      |         | Yes            | Set bit to 0                                                                                                                                                                                                |
|           |                           | 4   | Override IDLE           |      |         | Yes            | 1 = Force IDLE by Channel - see Reg 0x0E and 0x15<br>0 = Normal Operation                                                                                                                                   |
|           |                           | 3   | Reserved                |      |         | Yes            | Set bit to 0<br>Note: For all applications operating > 8Gbps, users must set this bit to 1 and enable all channels manually.                                                                                |
|           |                           | 2   | Override Output Mode    |      |         |                | 1 = Enable Output Mode control for individual outputs. See register locations 0x10[6] and 0x17[6].<br>0 = Disable - Outputs are kept in the normal mode of operation allowing VOD and DE adjustments.       |
|           |                           | 1   | Override DEM            |      |         | Yes            | Override De-emphasis (ignore rate)                                                                                                                                                                          |
| 0         | Reserved                  | Yes | Set bit to 0            |      |         |                |                                                                                                                                                                                                             |
| 0x09-0x0A | Reserved                  | 7:0 | Reserved                | R/W  | 0x00    |                | Reserved                                                                                                                                                                                                    |
| 0x0B      | Reserved                  | 7   | Reserved                | R/W  | 0x70    |                | Reserved                                                                                                                                                                                                    |
|           |                           | 6:0 | Reserved                |      |         | Yes            | Reserved                                                                                                                                                                                                    |
| 0x0C      | CH A Analog Override 1    | 7:0 | Reserved                | R/W  | 0x00    |                | Set bits to 0x00                                                                                                                                                                                            |
| 0x0D      | CH A Reserved             | 7:0 | Reserved                | R/W  | 0x00    |                | Set bits to 0x00.                                                                                                                                                                                           |

Register Maps (continued)

Table 9. SMBus Slave Mode Register Map (continued)

| ADDRESS | REGISTER NAME          | BIT | FIELD                         | TYPE | DEFAULT | EEPROM REG BIT | DESCRIPTION                                                                                                                                                                     |
|---------|------------------------|-----|-------------------------------|------|---------|----------------|---------------------------------------------------------------------------------------------------------------------------------------------------------------------------------|
| 0x0E    | CH A Idle Control      | 7:6 | Reserved                      | R/W  | 0x00    |                | Set bits to 0                                                                                                                                                                   |
|         |                        | 5   | Idle Auto                     |      |         | Yes            | 1 = Allow IDLE Select control in bit 4<br>0 = Automatic IDLE detect<br>(Must set 0x08[4] = 1 to override pin-select control)                                                    |
|         |                        | 4   | Idle Select                   |      |         | Yes            | 1 = Output is muted (electrical IDLE)<br>0 = Output is on<br>(Must set 0x08[4] = 1 to override pin-select control)                                                              |
|         |                        | 3:2 | Reserved                      |      |         | Yes            | Set bits to 0                                                                                                                                                                   |
|         |                        | 1:0 | Reserved                      |      |         |                | Set bits to 0                                                                                                                                                                   |
| 0x0F    | CH A EQ Setting        | 7:0 | BOOST [7:0]                   | R/W  | 0x2F    | Yes            | EQ Boost Default to 24 dB<br>See <a href="#">Table 3</a> for Information                                                                                                        |
| 0x10    | CH A Control 1         | 7   | Sel_scp                       | R/W  | 0xED    | Yes            | 1 = Short Circuit Protection ON<br>0 = Short Circuit Protection OFF                                                                                                             |
|         |                        | 6   | Output Mode                   |      |         | Yes            | 1 = Normal operation<br>0 = 10G-KR operation                                                                                                                                    |
|         |                        | 5:3 | Reserved                      |      |         | Yes            | Set bits to 101'b                                                                                                                                                               |
|         |                        | 2:0 | Reserved                      |      |         | Yes            | Set bits to 101'b                                                                                                                                                               |
| 0x11    | CH A Control 2         | 7:5 | Reserved                      | R    | 0x82    |                | Set bits to 100'b                                                                                                                                                               |
|         |                        | 4:3 | Reserved                      |      |         | Set bits to 0  |                                                                                                                                                                                 |
|         |                        | 2:0 | DEM [2:0]                     | R/W  |         | Yes            | De-Emphasis<br>000'b = -0.0 dB<br>001'b = -1.5 dB<br>010'b = -3.5 dB (Default)<br>011'b = -6.0 dB<br>100'b = -8.0 dB<br>101'b = -9.0 dB<br>110'b = -10.5 dB<br>111'b = -12.0 dB |
| 0x12    | CH A Idle Threshold    | 7   | Reserved                      | R/W  | 0x00    | Yes            | Set bit to 0                                                                                                                                                                    |
|         |                        | 6:4 | Reserved                      |      |         |                | Set bits to 0                                                                                                                                                                   |
|         |                        | 3:2 | IDLE Assert Threshold[1:0]    |      |         | Yes            | Assert Thresholds<br>Use only if register 0x08 [6] = 1<br>00'b = 180 mVpp (Default)<br>01'b = 160 mVpp<br>10'b = 210 mVpp<br>11'b = 190 mVpp                                    |
|         |                        | 1:0 | IDLE De-assert Threshold[1:0] |      |         | Yes            | De-assert Thresholds<br>Use only if register 0x08 [6] = 1<br>00'b = 110 mVpp (Default)<br>01'b = 100 mVpp<br>10'b = 150 mVpp<br>11'b = 130 mVpp                                 |
| 0x13    | CH B Analog Override 1 | 7:0 | Reserved                      | R/W  | 0x00    |                | Set bits to 0x00                                                                                                                                                                |
| 0x14    | CH B Reserved          | 7:0 | Reserved                      | R/W  | 0x00    |                | Set bits to 0x00                                                                                                                                                                |



**Register Maps (continued)**
**Table 9. SMBus Slave Mode Register Map (continued)**

| ADDRESS   | REGISTER NAME       | BIT | FIELD                         | TYPE | DEFAULT | EEPROM REG BIT | DESCRIPTION                                                                                                                                                                               |
|-----------|---------------------|-----|-------------------------------|------|---------|----------------|-------------------------------------------------------------------------------------------------------------------------------------------------------------------------------------------|
| 0x15      | CH B Idle Control   | 7:6 | Reserved                      | R/W  | 0x00    |                | Set bits to 0                                                                                                                                                                             |
|           |                     | 5   | Idle Auto                     |      |         | Yes            | 1 = Allow IDLE Select control in bit 4<br>0 = Automatic IDLE detect<br>(Must set 0x08[4] = 1 to override pin-select control)                                                              |
|           |                     | 4   | Idle Select                   |      |         | Yes            | 1 = Output is muted (electrical IDLE)<br>0 = Output is on<br>(Must set 0x08[4] = 1 to override pin-select control)                                                                        |
|           |                     | 3:2 | Reserved                      |      |         | Yes            | Set bits to 0                                                                                                                                                                             |
|           |                     | 1:0 | Reserved                      |      |         |                | Set bits to 0                                                                                                                                                                             |
| 0x16      | CH B EQ Setting     | 7:0 | BOOST [7:0]                   | R/W  | 0x2F    | Yes            | EQ Boost Default to 24 dB<br>See <a href="#">Table 3</a> for Information                                                                                                                  |
| 0x17      | CH B Control 1      | 7   | Sel_scp                       | R/W  | 0xED    | Yes            | 1 = Short Circuit Protection ON<br>0 = Short Circuit Protection OFF                                                                                                                       |
|           |                     | 6   | Output Mode                   |      |         | Yes            | 1 = Normal operation<br>0 = 10G-KR operation                                                                                                                                              |
|           |                     | 5:3 | Reserved                      |      |         | Yes            | Set bits to 101'b                                                                                                                                                                         |
|           |                     | 2:0 | Reserved                      |      |         | Yes            | Set bits to 101'b                                                                                                                                                                         |
| 0x18      | CH B Control 2      | 7:5 | Reserved                      | R    | 0x82    |                | Set bits to 100'b                                                                                                                                                                         |
|           |                     | 4:3 | Reserved                      |      |         | Set bits to 0  |                                                                                                                                                                                           |
|           |                     | 2:0 | DEM [2:0]                     | R/W  |         | Yes            | De-Emphasis (Default = -3.5 dB)<br>000'b = -0.0 dB<br>001'b = -1.5 dB<br>010'b = -3.5 dB<br>011'b = -6.0 dB<br>100'b = -8.0 dB<br>101'b = -9.0 dB<br>110'b = -10.5 dB<br>111'b = -12.0 dB |
| 0x19      | CH B Idle Threshold | 7   | Reserved                      | R/W  | 0x00    | Yes            | Set bit to 0                                                                                                                                                                              |
|           |                     | 6:4 | Reserved                      |      |         |                | Set bits to 0                                                                                                                                                                             |
|           |                     | 3:2 | IDLE Assert Threshold[1:0]    |      |         | Yes            | Assert Thresholds<br>Use only if register 0x08 [6] = 1<br>00'b = 180 mVpp (Default)<br>01'b = 160 mVpp<br>10'b = 210 mVpp<br>11'b = 190 mVpp                                              |
|           |                     | 1:0 | IDLE De-assert Threshold[1:0] |      |         | Yes            | De-assert Thresholds<br>Use only if register 0x08 [6] = 1<br>00'b = 110 mVpp (Default)<br>01'b = 100 mVpp<br>10'b = 150 mVpp<br>11'b = 130 mVpp                                           |
| 0x1A-0x1B | Reserved            | 7:0 | Reserved                      | R/W  | 0x00    |                | Reserved                                                                                                                                                                                  |
| 0x1C      | Reserved            | 7:6 | Reserved                      | R/W  | 0x00    |                | Reserved                                                                                                                                                                                  |
|           |                     | 5:2 | Reserved                      |      |         | Yes            | Reserved                                                                                                                                                                                  |
|           |                     | 1:0 | Reserved                      |      |         |                | Reserved                                                                                                                                                                                  |
| 0x1D      | Reserved            | 7:0 | Reserved                      | R/W  | 0x2F    | Yes            | Reserved                                                                                                                                                                                  |
| 0x1E      | Reserved            | 7:0 | Reserved                      | R/W  | 0xAD    | Yes            | Reserved                                                                                                                                                                                  |
| 0x1F      | Reserved            | 7:3 | Reserved                      | R/W  | 0x02    |                | Reserved                                                                                                                                                                                  |
|           |                     | 2:0 | Reserved                      |      |         | Yes            | Reserved                                                                                                                                                                                  |

**Register Maps (continued)**
**Table 9. SMBus Slave Mode Register Map (continued)**

| ADDRESS   | REGISTER NAME    | BIT | FIELD              | TYPE | DEFAULT | EEPROM REG BIT | DESCRIPTION                                                                                                                                                                     |
|-----------|------------------|-----|--------------------|------|---------|----------------|---------------------------------------------------------------------------------------------------------------------------------------------------------------------------------|
| 0x20      | Reserved         | 7   | Reserved           | R/W  | 0x00    | Yes            | Reserved                                                                                                                                                                        |
|           |                  | 6:4 | Reserved           |      |         |                | Reserved                                                                                                                                                                        |
|           |                  | 3:0 | Reserved           |      |         | Yes            | Reserved                                                                                                                                                                        |
| 0x21-0x22 | Reserved         | 7:0 | Reserved           | R/W  | 0x00    |                | Reserved                                                                                                                                                                        |
| 0x23      | CH A VOD Control | 7:6 | Reserved           | R/W  | 0x00    |                | Set bits to 0                                                                                                                                                                   |
|           |                  | 5   | Reserved           |      |         | Yes            | Set bit to 0                                                                                                                                                                    |
|           |                  | 4:2 | VOD_CHA[2:0]       |      |         | Yes            | VOD Controls for CH A<br>000'b = 700 mVpp (Default)<br>001'b = 800 mVpp<br>010'b = 900 mVpp<br>011'b = 1000 mVpp<br>100'b = 1100 mVpp<br>101'b = 1200 mVpp<br>110'b = 1300 mVpp |
|           |                  | 1:0 | Reserved           |      |         |                | Set bits to 0                                                                                                                                                                   |
| 0x24      | Reserved         | 7:0 | Reserved           | R/W  | 0x2F    | Yes            | Reserved                                                                                                                                                                        |
| 0x25      | Reserved         | 7:0 | Reserved           | R/W  | 0xAD    | Yes            | Reserved                                                                                                                                                                        |
| 0x26      | Reserved         | 7:3 | Reserved           | R/W  | 0x02    |                | Reserved                                                                                                                                                                        |
|           |                  | 2:0 | Reserved           |      |         | Yes            | Reserved                                                                                                                                                                        |
| 0x27      | Reserved         | 7   | Reserved           | R/W  | 0x00    | Yes            | Reserved                                                                                                                                                                        |
|           |                  | 6:4 | Reserved           |      |         |                | Reserved                                                                                                                                                                        |
|           |                  | 3:0 | Reserved           |      |         | Yes            | Reserved                                                                                                                                                                        |
| 0x28      | Idle Control     | 7   | Reserved           | R/W  | 0x00    |                | Set bit to 0                                                                                                                                                                    |
|           |                  | 6   | Override Fast Idle |      |         | Yes            | 1 = Enable Fast IDLE control in Reg 0x28[3:2]<br>0 = Disable Fast IDLE control in Reg 0x28[3:2].                                                                                |
|           |                  | 5:4 | en_hi_idle_th[1:0] |      |         | Yes            | Enable high SD thresholds (Slow IDLE)<br>[5]: CH A<br>[4]: CH B                                                                                                                 |
|           |                  | 3:2 | en_fast_idle[1:0]  |      |         | Yes            | Enable Fast IDLE<br>[3]: CH A<br>[2]: CH B                                                                                                                                      |
|           |                  | 1:0 | Reserved           |      |         | Yes            | Set bits to 0                                                                                                                                                                   |
| 0x29-0x2A | Reserved         | 7:0 | Reserved           | R/W  | 0x00    |                | Reserved                                                                                                                                                                        |
| 0x2B      | Reserved         | 7:6 | Reserved           | R/W  | 0x00    |                | Reserved                                                                                                                                                                        |
|           |                  | 5:2 | Reserved           |      |         | Yes            | Reserved                                                                                                                                                                        |
|           |                  | 1:0 | Reserved           |      |         |                | Reserved                                                                                                                                                                        |
| 0x2C      | Reserved         | 7:0 | Reserved           | R/W  | 0x2F    | Yes            | Reserved                                                                                                                                                                        |
| 0x2D      | CH B VOD Control | 7:5 | Reserved           | R/W  | 0xAD    | Yes            | Set bits to 101'b                                                                                                                                                               |
|           |                  | 4:2 | VOD_CHB[2:0]       |      |         | Yes            | VOD Controls for CH B<br>000'b = 700 mVpp<br>001'b = 800 mVpp<br>010'b = 900 mVpp<br>011'b = 1000 mVpp (Default)<br>100'b = 1100 mVpp<br>101'b = 1200 mVpp<br>110'b = 1300 mVpp |
|           |                  | 1:0 | Reserved           |      |         | Yes            | Set bits to 01'b                                                                                                                                                                |
| 0x2E      | Reserved         | 7:3 | Reserved           | R/W  | 0x02    |                | Reserved                                                                                                                                                                        |
|           |                  | 2:0 | Reserved           |      |         | Yes            | Reserved                                                                                                                                                                        |

**Register Maps (continued)**
**Table 9. SMBus Slave Mode Register Map (continued)**

| ADDRESS   | REGISTER NAME | BIT | FIELD    | TYPE | DEFAULT | EEPROM REG BIT | DESCRIPTION |
|-----------|---------------|-----|----------|------|---------|----------------|-------------|
| 0x2F      | Reserved      | 7   | Reserved | R/W  | 0x00    | Yes            | Reserved    |
|           |               | 6:4 | Reserved |      |         |                | Reserved    |
|           |               | 3:0 | Reserved |      |         | Yes            | Reserved    |
| 0x30-0x31 | Reserved      | 7:0 | Reserved | R/W  | 0x00    |                | Reserved    |
| 0x32      | Reserved      | 7:6 | Reserved | R/W  | 0x00    |                | Reserved    |
|           |               | 5:2 | Reserved |      |         | Yes            | Reserved    |
|           |               | 1:0 | Reserved |      |         |                | Reserved    |
| 0x33      | Reserved      | 7:0 | Reserved | R/W  | 0x2F    | Yes            | Reserved    |
| 0x34      | Reserved      | 7:0 | Reserved | R/W  | 0xAD    | Yes            | Reserved    |
| 0x35      | Reserved      | 7:3 | Reserved | R/W  | 0x02    |                | Reserved    |
|           |               | 2:0 | Reserved |      |         | Yes            | Reserved    |
| 0x36      | Reserved      | 7   | Reserved | R/W  | 0x00    | Yes            | Reserved    |
|           |               | 6:4 | Reserved |      |         |                | Reserved    |
|           |               | 3:0 | Reserved |      |         | Yes            | Reserved    |
| 0x37-0x38 | Reserved      | 7:0 | Reserved | R/W  | 0x00    |                | Reserved    |
| 0x39      | Reserved      | 7:6 | Reserved | R/W  | 0x00    |                | Reserved    |
|           |               | 5:2 | Reserved |      |         | Yes            | Reserved    |
|           |               | 1:0 | Reserved |      |         |                | Reserved    |
| 0x3A      | Reserved      | 7:0 | Reserved | R/W  | 0x2F    | Yes            | Reserved    |
| 0x3B      | Reserved      | 7:0 | Reserved | R/W  | 0xAD    | Yes            | Reserved    |
| 0x3C      | Reserved      | 7:3 | Reserved | R/W  | 0x02    |                | Reserved    |
|           |               | 2:0 | Reserved |      |         | Yes            | Reserved    |
| 0x3D      | Reserved      | 7   | Reserved | R/W  | 0x00    | Yes            | Reserved    |
|           |               | 6:4 | Reserved |      |         |                | Reserved    |
|           |               | 3:0 | Reserved |      |         | Yes            | Reserved    |
| 0x3E-0x3F | Reserved      | 7:0 | Reserved | R/W  | 0x00    |                | Reserved    |
| 0x40      | Reserved      | 7:6 | Reserved | R/W  | 0x00    |                | Reserved    |
|           |               | 5:2 | Reserved |      |         | Yes            | Reserved    |
|           |               | 1:0 | Reserved |      |         |                | Reserved    |
| 0x41      | Reserved      | 7:0 | Reserved | R/W  | 0x2F    | Yes            | Reserved    |
| 0x42      | Reserved      | 7:0 | Reserved | R/W  | 0xAD    | Yes            | Reserved    |
| 0x43      | Reserved      | 7:3 | Reserved | R/W  | 0x02    |                | Reserved    |
|           |               | 2:0 | Reserved |      |         | Yes            | Reserved    |
| 0x44      | Reserved      | 7   | Reserved | R/W  | 0x00    | Yes            | Reserved    |
|           |               | 6:4 | Reserved |      |         |                | Reserved    |
|           |               | 3:0 | Reserved |      |         | Yes            | Reserved    |
| 0x45      | Reserved      | 7:0 | Reserved | R/W  | 0x00    |                | Reserved    |
| 0x46      | Reserved      | 7:0 | Reserved | R/W  | 0x38    |                | Reserved    |
| 0x47      | Reserved      | 7:4 | Reserved | R/W  | 0x00    |                | Reserved    |
|           |               | 3:0 | Reserved |      |         | Yes            | Reserved    |
| 0x48      | Reserved      | 7:6 | Reserved | R/W  | 0x05    | Yes            | Reserved    |
|           |               | 5:0 | Reserved |      |         |                | Reserved    |
| 0x49-0x4B | Reserved      | 7:0 | Reserved | R/W  | 0x00    |                | Reserved    |

**Register Maps (continued)**
**Table 9. SMBus Slave Mode Register Map (continued)**

| ADDRESS   | REGISTER NAME      | BIT | FIELD     | TYPE | DEFAULT | EEPROM REG BIT | DESCRIPTION |
|-----------|--------------------|-----|-----------|------|---------|----------------|-------------|
| 0x4C      | Reserved           | 7:3 | Reserved  | R/W  | 0x00    | Yes            | Reserved    |
|           |                    | 2:1 | Reserved  |      |         |                | Reserved    |
|           |                    | 0   | Reserved  |      |         | Yes            | Reserved    |
| 0x4D-0x50 | Reserved           | 7:0 | Reserved  | R/W  | 0x00    |                | Reserved    |
| 0x51      | Device Information | 7:5 | Version   | R    | 0x67    |                | 011'b       |
|           |                    | 4:0 | Device ID |      |         |                | 0 0111'b    |
| 0x52-0x55 | Reserved           | 7:0 | Reserved  | R/W  | 0x00    |                | Reserved    |
| 0x56      | Reserved           | 7:0 | Reserved  | R/W  | 0x02    |                | Reserved    |
| 0x57      | Reserved           | 7:0 | Reserved  | R/W  | 0x14    |                | Reserved    |
| 0x58      | Reserved           | 7:0 | Reserved  | R/W  | 0x21    |                | Reserved    |
| 0x59      | Reserved           | 7:1 | Reserved  | R/W  | 0x00    |                | Reserved    |
|           |                    | 0   | Reserved  |      |         | Yes            | Reserved    |
| 0x5A      | Reserved           | 7:0 | Reserved  | R/W  | 0x54    | Yes            | Reserved    |
| 0x5B      | Reserved           | 7:0 | Reserved  | R/W  | 0x54    | Yes            | Reserved    |
| 0x5C-0x61 | Reserved           | 7:0 | Reserved  | R/W  | 0x00    |                | Reserved    |

## 9 Application and Implementation

### NOTE

Information in the following applications sections is not part of the TI component specification, and TI does not warrant its accuracy or completeness. TI's customers are responsible for determining suitability of components for their purposes. Customers should validate and test their design implementation to confirm system functionality.

### 9.1 Application Information

#### 9.1.1 Signal Integrity in 10G-KR Applications

When configured in "KR Mode", using either the VOD\_SEL and MODE pin setting or SMBus register control, the DS100BR111 is designed to operate transparently within a KR backplane channel environment. Installing a DS100BR111 repeater within the KR backplane channel splits the total channel attenuation into two parts. In other words, operating in "KR Mode" implies that signals will pass through the repeater with a linearized output. Ideally the repeater can be placed near the middle of the channel, maximizing the signal-to-noise ratio across the bidirectional interface.

In order to maximize the 10G-KR solution space, the 802.3ap specification calls for an optimization of the Tx partner signal conditioning coefficients based on feedback from the KR Rx ASIC endpoint. This link optimization sequence is commonly referred to as "link training" and is performed at speed (10.3125 Gbps). Setting the DS100BR111 active CTLE to compensate for the channel loss from each of the KR transmitters will reduce the transmit and receive equalization settings required on the KR physical layer devices. This central location keeps a larger signal-to-noise ratio at all points in the channel, extending the available solution space and increasing the overall margin of almost any channel. Suggested initial settings for the DS100BR111 are given in [Table 10](#) and [Table 11](#). Further adjustments to EQx, DEMx, and VODx settings may optimize signal margin on the link for different system applications.

**Table 10. Suggested 10G-KR Initial Device Settings in Pin Mode<sup>(1)</sup>**

| CHANNEL SETTINGS | PIN MODE |
|------------------|----------|
| EQx[1:0]         | 0, 0     |
| VOD_SEL          | 1        |
| DEMx             | 0        |

(1) For 10G-KR mode with slow idle-to-active response, the MODE pin should be left floating.

**Table 11. Suggested 10G-KR Initial Device Settings in SMBus Modes**

| CHANNEL SETTINGS | SMBus MODES |
|------------------|-------------|
| EQx              | 0x00        |
| VODx             | 100'b       |
| DEMx             | 000'b       |

The SMBus Slave Mode code example in [Table 12](#) may be used to program the DS100BR111 with the recommended device settings.

**Table 12. SMBus 10G-KR Example Sequence**

| REGISTER | WRITE VALUE | COMMENTS                                                                                                |
|----------|-------------|---------------------------------------------------------------------------------------------------------|
| 0x06     | 0x18        | Set SMBus Slave Mode Register Enable.                                                                   |
| 0x08     | 0x04        | Enable Output Mode Control for individual channel outputs.                                              |
| 0x0F     | 0x00        | Set CHA EQ to 0x00.                                                                                     |
| 0x10     | 0xAD        | Set CHA Output Mode to Linear (10G-KR mode).<br>If link-training is not required, set Reg 0x10 to 0xED. |
| 0x11     | 0x00        | Set CHA DEM to 000'b.                                                                                   |
| 0x16     | 0x00        | Set CHB EQ to 0x00.                                                                                     |

**Table 12. SMBus 10G-KR Example Sequence (continued)**

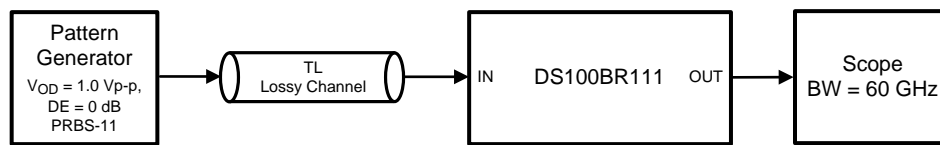
| REGISTER | WRITE VALUE | COMMENTS                                                                                                |
|----------|-------------|---------------------------------------------------------------------------------------------------------|
| 0x17     | 0xAD        | Set CHB Output Mode to Linear (10G-KR mode).<br>If link-training is not required, set Reg 0x18 to 0xED. |
| 0x18     | 0x00        | Set CHB DEM to 000'b.                                                                                   |
| 0x23     | 0x10        | Set CHA VOD to 100'b.                                                                                   |
| 0x28     | 0x00        | Leave Idle Control at default levels.<br>For SAS/SATA applications, set Reg 0x28 to 0x4C.               |
| 0x2D     | 0xB1        | Set CHB VOD to 100'b.                                                                                   |

**9.1.2 OOB (Out-of-Band) Functionality in SAS/SATA Applications**

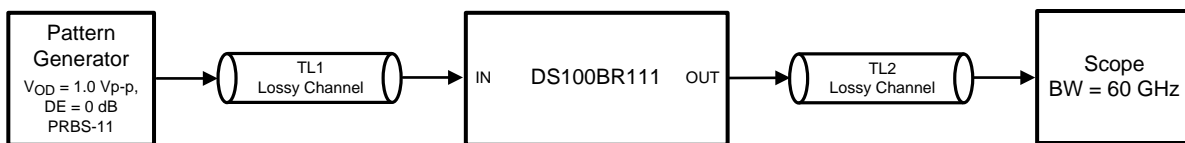
For SAS/SATA systems, a low speed OOB (Out-of-Band) communication sequence is used to detect and communicate device capabilities between host ASIC and link partners. These OOB signals, including COMWAKE, COMINIT, COMRESET, and COMSAS, are a series of burst, idle, and negation times transmitted and detected across the SAS/SATA link. These bursts occur at a rapid rate, with the COMWAKE signal having the most stringent requirement of 106.6 ns active followed by 106.6 ns idle. Normally, if the device is set in 10G-KR mode (MODE pin floating), the device goes idle-to-active in approximately 150 ns. If the device is set to SAS mode (MODE pin tied via 1 kΩ to VDD (2.5 V mode) or VIN (3.3 V mode)), the device goes idle-to-active in approximately 3 to 4 ns. This fast idle-to-active time is critical to pass OOB signaling, and when operating in pin mode, the MODE pin should be tied high. If operating in SMBus slave mode, the user can set Reg 0x28 to 0x4C for this faster idle-to-active response.

**9.2 Typical Application**

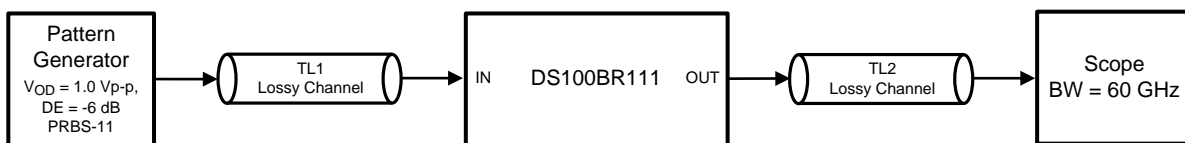
The DS100BR111 works to extend the reach possible by using active equalization on the channel, boosting attenuated signals so that they can be more easily recovered at the Rx endpoint. The capability of the repeater can be explored across a range of data rates and ASIC-to-link-partner signaling, as shown in the following test setup connections. Figure 10 through Figure 12 represent typical generic application scenarios for the DS100BR111.



**Figure 10. Test Setup Connections Diagram Pre-Channel Only**



**Figure 11. Test Setup Connections Diagram Pre-Channel and Post-Channel, No Tx Source De-emphasis**



**Figure 12. Test Setup Connections Diagram Pre-Channel and Post-Channel, -6 dB Tx Source De-emphasis**

## Typical Application (continued)

### 9.2.1 Design Requirements

As with any high speed design, there are many factors that influence the overall performance. Below are a list of critical areas for consideration during design.

- Use 100  $\Omega$  impedance traces. Length matching on the P and N traces should be done on the single-ended segments of the differential pair.
- Use uniform trace width and trace spacing for differential pairs.
- Place AC-coupling capacitors near to the receiver end of each channel segment to minimize reflections.
- The maximum body size for AC-coupling capacitors is 0402.
- Back-drill connector vias and signal vias to minimize stub length.
- Use Reference plane vias to ensure a low inductance path for the return current.

### 9.2.2 Detailed Design Procedure

The DS100BR111 is designed to be placed at an offset location with respect to the overall channel attenuation. In order to optimize performance, the repeater requires optimization to extend the reach of the cable or trace length while also recovering a solid eye opening. To optimize the repeater in a 10G-KR environment, the settings mentioned in [Table 10](#) (for Pin Mode) and [Table 11](#) (for SMBus Modes) are recommended as a default starting point. For a generic 10GbE application where link training is not required, the following settings in [Table 13](#) and [Table 14](#) may be referenced as an initial starting point:

**Table 13. Suggested Generic 10GbE Initial Device Settings in Pin Mode<sup>(1)</sup>**

| CHANNEL SETTINGS | PIN MODE |
|------------------|----------|
| EQx[1:0]         | 0, 0     |
| VOD_SEL          | 0        |
| DEMx             | 0        |

(1) For 10GbE applications, the MODE pin should be tied high.

**Table 14. Suggested Generic 10GbE Initial Device Settings in SMBus Modes**

| CHANNEL SETTINGS | SMBus MODES |
|------------------|-------------|
| EQx              | 0x00        |
| VODx             | 000'b       |
| DEMx             | 000'b       |

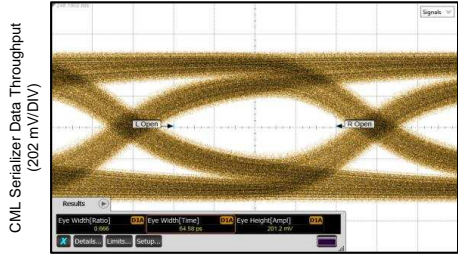
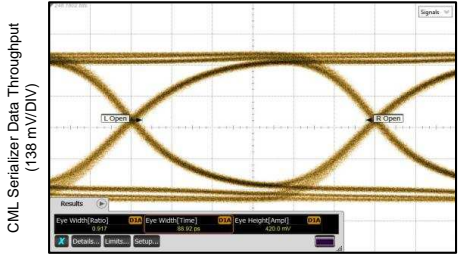
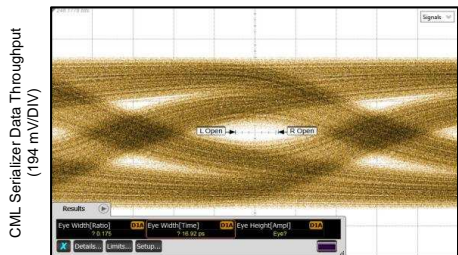
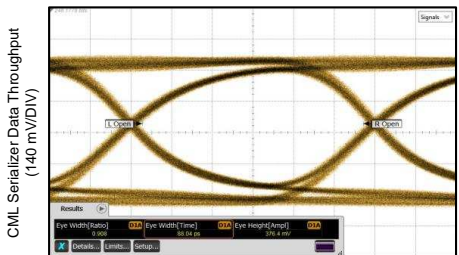

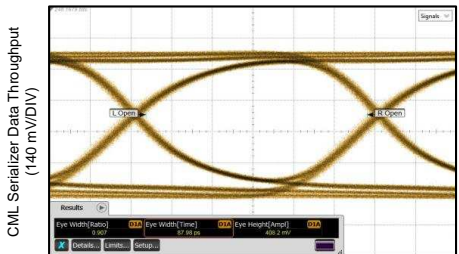
Examples of the repeater performance are illustrated in the performance curves in the next section.



### 9.2.3 Application Performance Plots

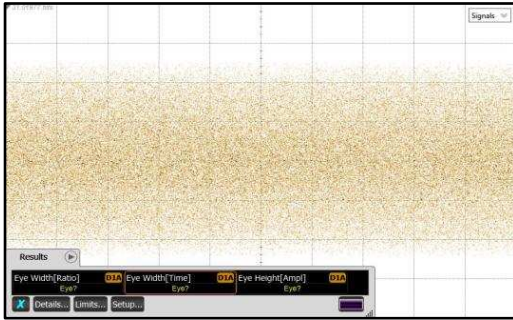
The lab setups referenced in [Figure 10](#) to [Figure 12](#) were used to collect typical performance data on FR4 and cable media. For all measurements, Mode Pin = Float.

#### 9.2.3.1 Equalization Results (Pre-Channel Only)

|                                                                                                                                                                                              |                                                                                                                                                                                                                                            |
|----------------------------------------------------------------------------------------------------------------------------------------------------------------------------------------------|--------------------------------------------------------------------------------------------------------------------------------------------------------------------------------------------------------------------------------------------|
|  <p>No Repeater Used</p> <p><b>Figure 13. TL = 5 Inch 4-Mil FR4 Trace, No Repeater, 8 Gbps</b></p>          |  <p>DS100BR111 Settings: EQA = 0x01, DEMA = 000'b, VOD = 000'b</p> <p><b>Figure 14. TL = 5 Inch 4-Mil FR4 Trace, DS100BR111 CHA, 10.3125 Gbps</b></p>    |
|  <p>No Repeater Used</p> <p><b>Figure 15. TL = 10 Inch 4-Mil FR4 Trace, No Repeater, 10.3125 Gbps</b></p>  |  <p>DS100BR111 Settings: EQA = 0x02, DEMA = 000'b, VODA = 000'b</p> <p><b>Figure 16. TL = 10 Inch 4-Mil FR4 Trace, DS100BR111 CHA, 10.3125 Gbps</b></p> |
|  <p>No Repeater Used</p> <p><b>Figure 17. TL = 15 Inch 4-Mil FR4 Trace, No Repeater, 10.3125 Gbps</b></p> |  <p>DS100BR111 Settings: EQA = 0x03, DEMA = 000'b, VOD = 000'b</p> <p><b>Figure 18. TL = 15 Inch 4-Mil FR4 Trace, DS100BR111 CHA, 10.3125 Gbps</b></p> |



CML Serializer Data Throughput  
(178 mV/DIV)

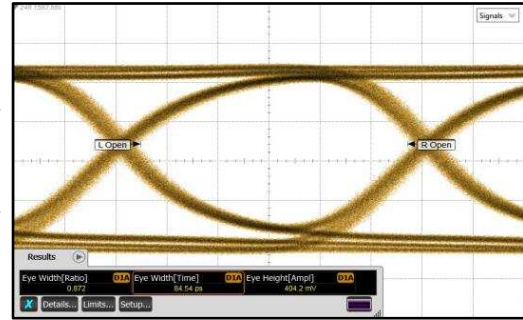


Time (16.16 ps/DIV)

No Repeater Used

Figure 19. TL = 20 Inch 4-Mil FR4 Trace, No Repeater, 10.3125 Gbps

CML Serializer Data Throughput  
(138 mV/DIV)

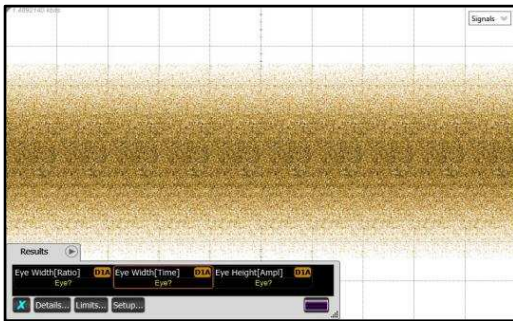


Time (16.16 ps/DIV)

DS100BR111 Settings: EQA = 0x07, DEMA = 000'b, VOD = 000'b

Figure 20. TL = 20 Inch 4-Mil FR4 Trace, DS100BR111 CHA, 10.3125 Gbps

CML Serializer Data Throughput  
(168 mV/DIV)

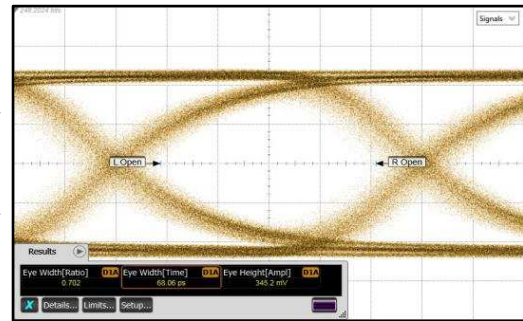


Time (16.16 ps/DIV)

No Repeater Used

Figure 21. TL = 30 Inch 4-Mil FR4 Trace, No Repeater Used, 10.3125 Gbps

CML Serializer Data Throughput  
(132 mV/DIV)

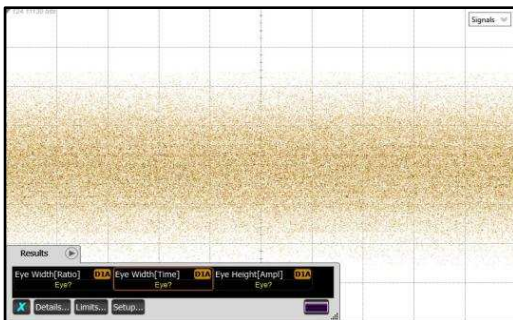


Time (16.16 ps/DIV)

DS100BR111 Settings: EQA = 0x0F, DEMA = 000'b, VOD = 000'b

Figure 22. TL = 30 Inch 4-Mil FR4 Trace, DS100BR111 CHA, 10.3125 Gbps

CML Serializer Data Throughput  
(162 mV/DIV)

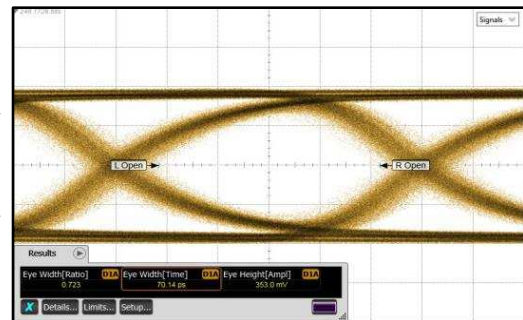


Time (16.16 ps/DIV)

No Repeater Used

Figure 23. TL = 35 Inch 4-Mil FR4 Trace, No Repeater Used, 10.3125 Gbps

CML Serializer Data Throughput  
(162 mV/DIV)

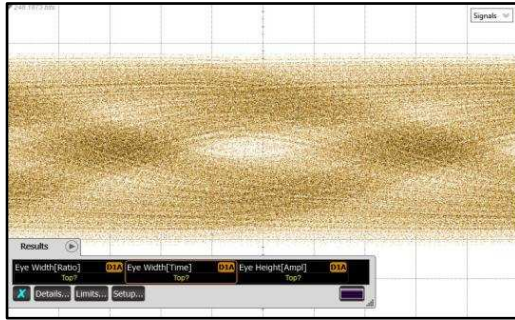


Time (16.16 ps/DIV)

DS100BR111 Settings: EQA = 0x1F, DEMA = 000'b, VOD = 000'b

Figure 24. TL = 35 Inch 4-Mil FR4 Trace, DS100BR111 CHA, 10.3125 Gbps

CML Serializer Data Throughput  
(184 mV/DIV)

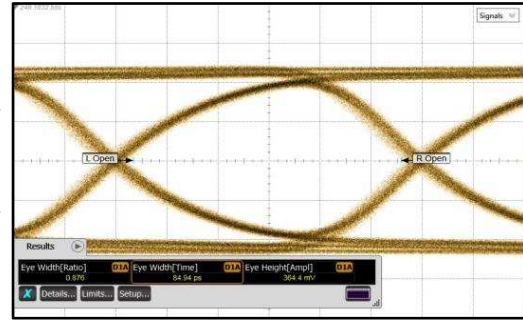


Time (16.16 ps/DIV)

No Repeater Used

**Figure 25. TL = 3-Meter 30-AWG 100 Ω Twin-Axial Cable, No Repeater, 10.3125 Gbps**

CML Serializer Data Throughput  
(132 mV/DIV)

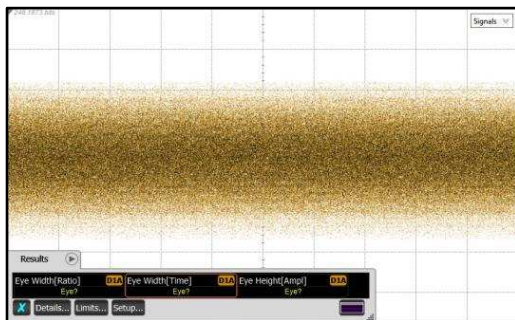


Time (16.16 ps/DIV)

DS100BR111 Settings: EQA = 0x03, DEMA = 000'b, VODA = 000'b

**Figure 26. TL = 3-Meter 30-AWG 100 Ω Twin-Axial Cable, DS100BR111 CHA, 10.3125 Gbps**

CML Serializer Data Throughput  
(184 mV/DIV)

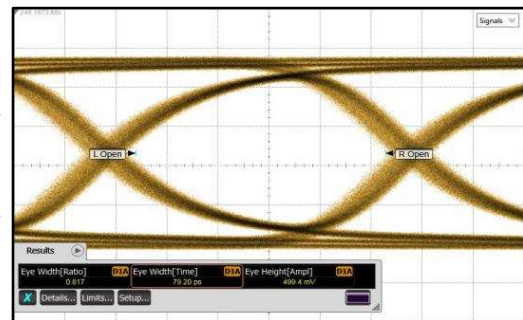


Time (16.16 ps/DIV)

No Repeater Used

**Figure 27. TL = 7-Meter 30-AWG 100 Ω Twin-Axial Cable, No Repeater, 10.3125 Gbps**

CML Serializer Data Throughput  
(184 mV/DIV)

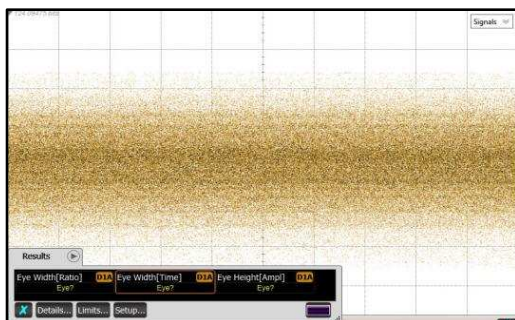


Time (16.16 ps/DIV)

DS100BR111 Settings: EQA = 0x0F, DEMA = 000'b, VODA = 011'b

**Figure 28. TL = 7-Meter 30-AWG 100 Ω Twin-Axial Cable, DS100BR111 CHA, 10.3125 Gbps**

CML Serializer Data Throughput  
(114 mV/DIV)

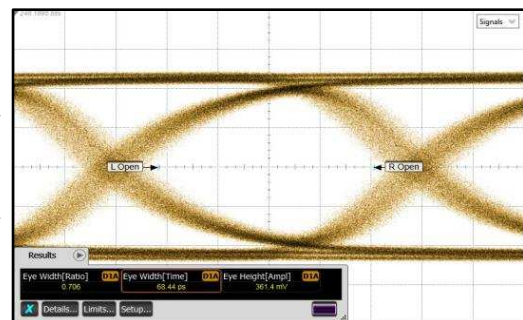


Time (16.16 ps/DIV)

No Repeater Used

**Figure 29. TL = 10-Meter 30-AWG 100 Ω Twin-Axial Cable, No Repeater, 10.3125 Gbps**

CML Serializer Data Throughput  
(132 mV/DIV)

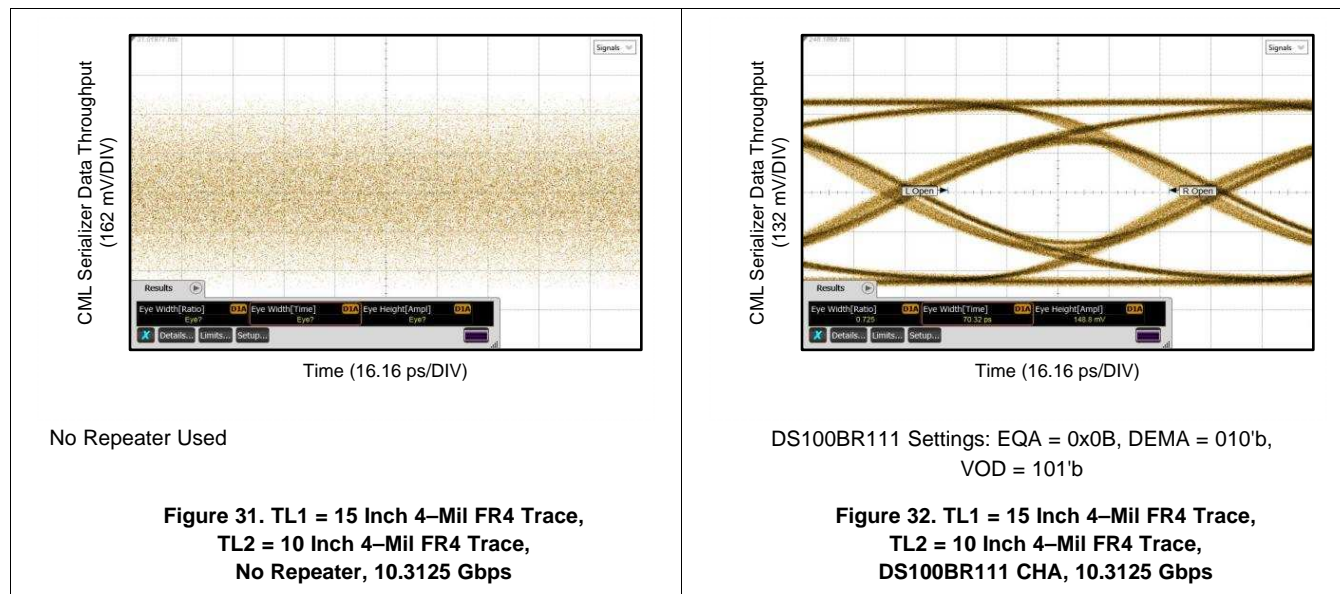


Time (16.16 ps/DIV)

DS100BR111 Settings: EQA = 0x2F, DEMA = 000'b, VODA = 000'b

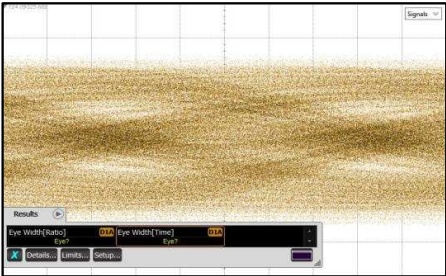
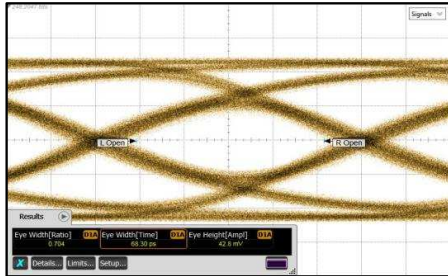
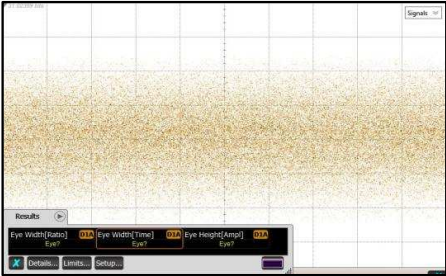
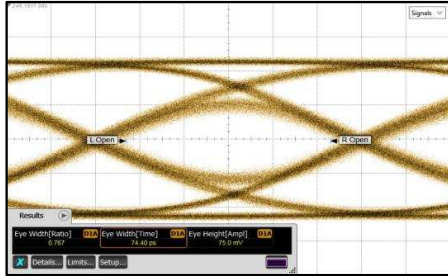
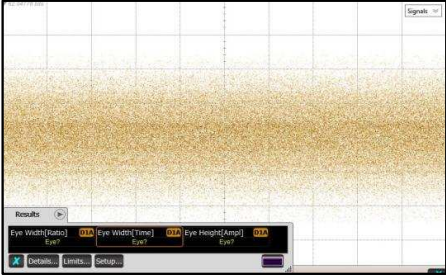
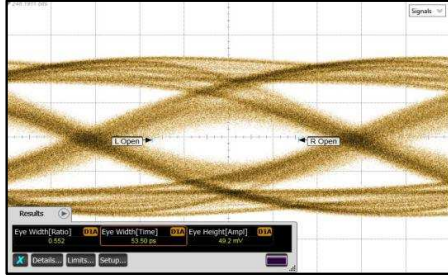
**Figure 30. TL = 10-Meter 30-AWG 100 Ω Twin-Axial Cable, DS100BR111 CHA, 10.3125 Gbps**

**9.2.3.2 Equalization and De-Emphasis Results  
(Pre-channel and Post-channel, No Tx Source De-emphasis)**





**9.2.3.3 Equalization and De-Emphasis Results  
(Pre-channel and Post-channel, -6 dB Tx Source De-emphasis)**

|                                                                                                                                                                                                                                                                                                                       |                                                                                                                                                                                                                                                                                                                                                                          |
|-----------------------------------------------------------------------------------------------------------------------------------------------------------------------------------------------------------------------------------------------------------------------------------------------------------------------|--------------------------------------------------------------------------------------------------------------------------------------------------------------------------------------------------------------------------------------------------------------------------------------------------------------------------------------------------------------------------|
|  <p>CML Serializer Data Throughput<br/>(88 mV/DIV)</p> <p>Time (16.16 ps/DIV)</p> <p>No Repeater Used</p> <p><b>Figure 33. TL1 = 15 Inch 4-Mil FR4 Trace,<br/>TL2 = 10 Inch 4-Mil FR4 Trace,<br/>No Repeater, 10.3125 Gbps</b></p>   |  <p>CML Serializer Data Throughput<br/>(118 mV/DIV)</p> <p>Time (16.16 ps/DIV)</p> <p>DS100BR111 Settings: EQA = 0x00, DEMA = 000'b,<br/>VOD = 011'b</p> <p><b>Figure 34. TL1 = 15 Inch 4-Mil FR4 Trace,<br/>TL2 = 10 Inch 4-Mil FR4 Trace,<br/>DS100BR111 CHA, 10.3125 Gbps</b></p>   |
|  <p>CML Serializer Data Throughput<br/>(80 mV/DIV)</p> <p>Time (16.16 ps/DIV)</p> <p>No Repeater Used</p> <p><b>Figure 35. TL1 = 30 Inch 4-Mil FR4 Trace,<br/>TL2 = 10 Inch 4-Mil FR4 Trace,<br/>No Repeater, 10.3125 Gbps</b></p>  |  <p>CML Serializer Data Throughput<br/>(130 mV/DIV)</p> <p>Time (16.16 ps/DIV)</p> <p>DS100BR111 Settings: EQA = 0x03, DEMA = 010'b,<br/>VOD = 101'b</p> <p><b>Figure 36. TL1 = 30 Inch 4-Mil FR4 Trace,<br/>TL2 = 10 Inch 4-Mil FR4 Trace,<br/>DS100BR111 CHA, 10.3125 Gbps</b></p>  |
|  <p>CML Serializer Data Throughput<br/>(72 mV/DIV)</p> <p>Time (16.16 ps/DIV)</p> <p>No Repeater Used</p> <p><b>Figure 37. TL1 = 40 Inch 4-Mil FR4 Trace,<br/>TL2 = 10 Inch 4-Mil FR4 Trace,<br/>No Repeater, 10.3125 Gbps</b></p> |  <p>CML Serializer Data Throughput<br/>(130 mV/DIV)</p> <p>Time (16.16 ps/DIV)</p> <p>DS100BR111 Settings: EQA = 0x03, DEMA = 100'b,<br/>VOD = 101'b</p> <p><b>Figure 38. TL1 = 40 Inch 4-Mil FR4 Trace,<br/>TL2 = 10 Inch 4-Mil FR4 Trace,<br/>DS100BR111 CHA, 10.3125 Gbps</b></p> |

## 10 Power Supply Recommendations

The DS100BR111 has an optional internal voltage regulator to provide the 2.5 V supply to the device. In 3.3 V mode, the VIN pin = 3.3 V is used to supply power to the device and the VDD pins should be left open. The internal regulator will provide the 2.5 V to the VDD pins of the device and a 0.1  $\mu$ F cap is needed at each of the two VDD pins for power supply de-coupling (total capacitance should be  $\leq$  0.2  $\mu$ F). The VDD\_SEL pin must be tied to GND to enable the internal regulator. In 2.5 V mode, the VIN pin should be left open and 2.5 V supply must be applied to the VDD pins. The VDD\_SEL pin must be left open (no connect) to disable the internal regulator.

The DS100BR111 can be configured for 2.5 V operation or 3.3 V operation. The lists below outline required connections for each supply selection.

### • 3.3 V Mode of Operation

- Tie VDD\_SEL = GND.
- Feed 3.3 V supply into VIN pin. Local 10  $\mu$ F and 1  $\mu$ F decoupling at VIN is recommended.
- See information on VDD bypass in [Power Supply Bypass](#).
- SDA and SCL pins should connect pull-up resistor to VIN.
- Any 4-Level input which requires a connection to "Logic 1" should use a 1 k $\Omega$  resistor to VIN.

### • 2.5 V Mode of Operation

- VDD\_SEL = Float
- VIN = Float
- Feed 2.5 V supply into VDD pins. Local 10  $\mu$ F and 1  $\mu$ F decoupling at VIN is recommended.
- See information on VDD bypass in [Power Supply Bypass](#).
- SDA and SCL pins connect pull-up resistor to VDD for 2.5 V or 3.3 V microcontroller SMBus IO.
- Any 4-Level input which requires a connection to "Logic 1" should use a 1 k $\Omega$  resistor to VDD.

### NOTE

The DAP (bottom solder pad) is the GND connection.

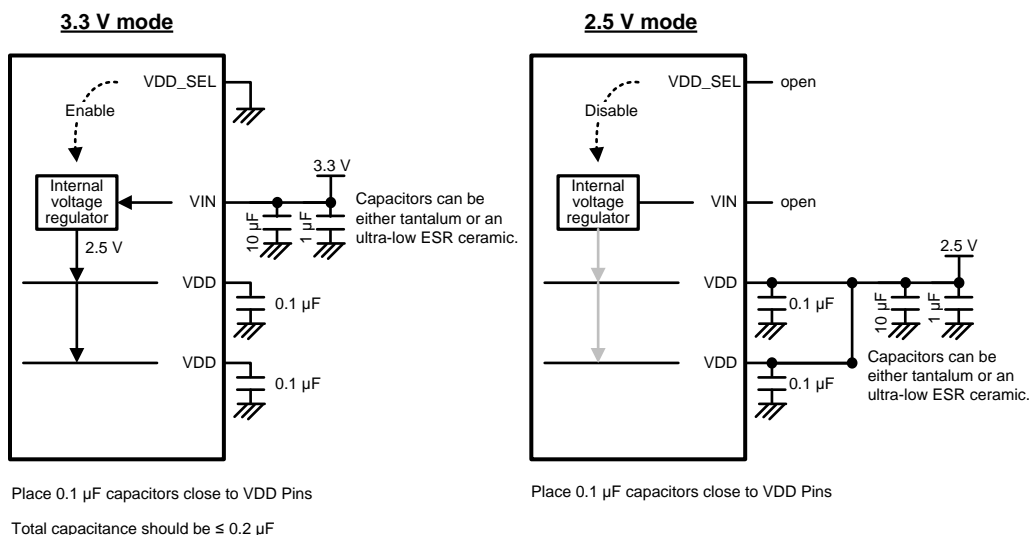


Figure 39. 3.3 V or 2.5 V Supply Connection Diagram

## 10.1 Power Supply Bypass

Two approaches are recommended to ensure that the DS100BR111 is provided with an adequate power supply bypass. First, the supply (VDD) and ground (GND) pins should be connected to power planes routed on adjacent layers of the printed circuit board. Second, careful attention to supply bypassing through the proper use of bypass capacitors is required. A 0.1  $\mu\text{F}$  bypass capacitor should be connected to each  $V_{\text{DD}}$  pin such that the capacitor is placed as close as possible to the device. Small body size capacitors (such as 0402) reduce the capacitors' parasitic inductance and also help in placement close to the VDD pin. If possible, the layer thickness of the dielectric should be minimized so that the VDD and GND planes create a low inductance supply with distributed capacitance.

## 11 Layout

### 11.1 Layout Guidelines

The differential inputs and outputs are designed with 100  $\Omega$  differential terminations. Therefore, they should be connected to interconnects with controlled differential impedance of approximately 85-110  $\Omega$ . It is preferable to route differential lines primarily on one layer of the board, particularly for the input traces. The use of vias should be avoided if possible. If vias must be used, they should be used sparingly and must be placed symmetrically for each side of a given differential pair. Whenever differential vias are used, the layout must also provide for a low inductance path for the return currents as well. Route the differential signals away from other signals and noise sources on the printed circuit board. To minimize the effects of crosstalk, a 5:1 ratio or greater should be maintained between inter-pair spacing and trace width. See AN-1187 “Leadless Leadframe Package (LLP) Application Report” (literature number [SNOA401](#)) for additional information on QFN (WQFN) packages.

The DS100BR111 pinout promotes easy high speed routing and layout. To optimize DS100BR111 performance, refer to the following guidelines:

1. Place local VIN and VDD capacitors as close as possible to the device supply pins. Often the best location is directly under the DS100BR111 pins to reduce the inductance path to the capacitor. In addition, bypass capacitors may share a via with the DAP GND to minimize ground loop inductance.
2. Differential pairs going into or out of the DS100BR111 should have adequate pair-to-pair spacing to minimize crosstalk.
3. Use return current via connections to link reference planes locally. This ensures a low inductance return current path when the differential signal changes layers.
4. Optimize the via structure to minimize trace impedance mismatch.
5. Place GND vias around the DAP perimeter to ensure optimal electrical and thermal performance. A 2x2 or 3x3 array of GND vias for the DAP is recommended.
6. Use small body size AC coupling capacitors when possible — 0402 or smaller size is preferred. The AC coupling capacitors should be placed closer to the Rx on the channel.

### 11.2 Layout Example

In most cases, DS100BR111 layouts will fit neatly into a 1-lane application. The example layout in Figure 40 shows the DS100BR111 channels in a typical 1-lane bidirectional layout.

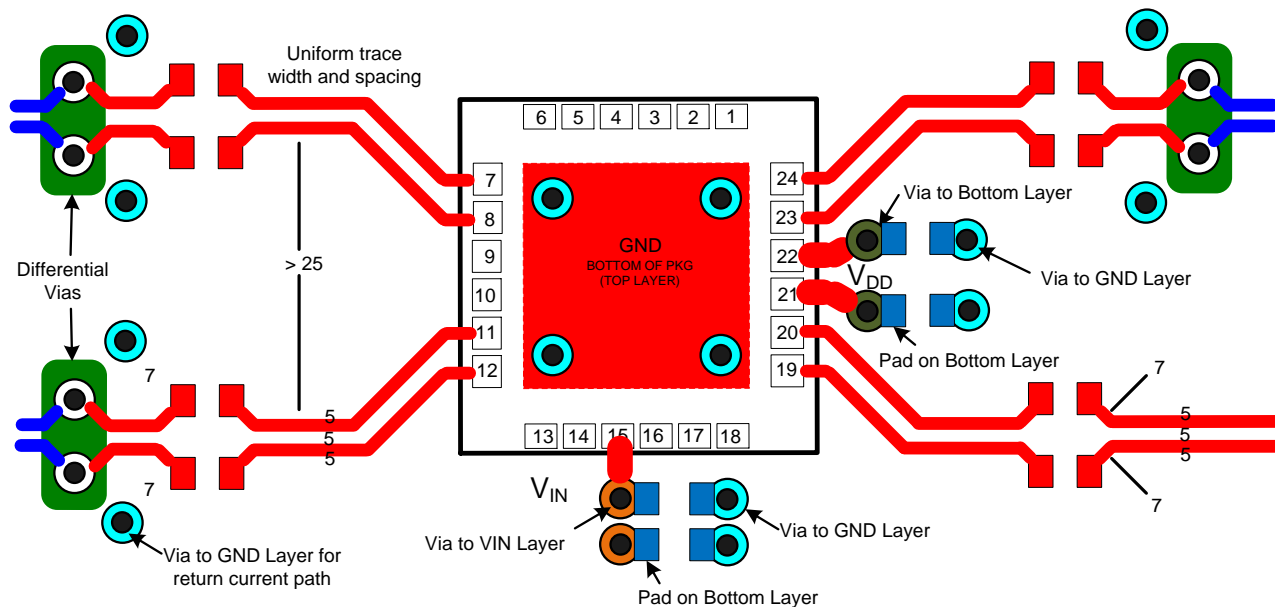


Figure 40. DS100BR111 Example Layout

## 12 Device and Documentation Support

### 12.1 Documentation Support

#### 12.1.1 Related Documentation

For related documentation, see the following:

- *Absolute Maximum Ratings for Soldering* ([SNOA549](#)).
- *Leadless Leadframe Package (LLP) Application Report, AN-1187* ([SNOA401](#))
- *Semiconductor and IC Package Thermal Metrics* ([SPRA953](#)).

### 12.2 Trademarks

All trademarks are the property of their respective owners.

### 12.3 Electrostatic Discharge Caution



These devices have limited built-in ESD protection. The leads should be shorted together or the device placed in conductive foam during storage or handling to prevent electrostatic damage to the MOS gates.

### 12.4 Glossary

[SLYZ022](#) — *TI Glossary*.

This glossary lists and explains terms, acronyms, and definitions.

## 13 Mechanical, Packaging, and Orderable Information

The following pages include mechanical, packaging, and orderable information. This information is the most current data available for the designated devices. This data is subject to change without notice and revision of this document. For browser-based versions of this data sheet, refer to the left-hand navigation.



**PACKAGING INFORMATION**

| Orderable Device   | Status<br>(1) | Package Type | Package Drawing | Pins | Package Qty | Eco Plan<br>(2)         | Lead/Ball Finish<br>(6) | MSL Peak Temp<br>(3) | Op Temp (°C) | Device Marking<br>(4/5) | Samples                 |
|--------------------|---------------|--------------|-----------------|------|-------------|-------------------------|-------------------------|----------------------|--------------|-------------------------|-------------------------|
| DS100BR111SQ/NOPB  | ACTIVE        | WQFN         | RTW             | 24   | 1000        | Green (RoHS & no Sb/Br) | CU SN                   | Level-3-260C-168 HR  | -40 to 85    | BR111                   | <a href="#">Samples</a> |
| DS100BR111SQE/NOPB | ACTIVE        | WQFN         | RTW             | 24   | 250         | Green (RoHS & no Sb/Br) | CU SN                   | Level-3-260C-168 HR  | -40 to 85    | BR111                   | <a href="#">Samples</a> |

(1) The marketing status values are defined as follows:

**ACTIVE:** Product device recommended for new designs.

**LIFEBUY:** TI has announced that the device will be discontinued, and a lifetime-buy period is in effect.

**NRND:** Not recommended for new designs. Device is in production to support existing customers, but TI does not recommend using this part in a new design.

**PREVIEW:** Device has been announced but is not in production. Samples may or may not be available.

**OBSELETE:** TI has discontinued the production of the device.

(2) Eco Plan - The planned eco-friendly classification: Pb-Free (RoHS), Pb-Free (RoHS Exempt), or Green (RoHS & no Sb/Br) - please check <http://www.ti.com/productcontent> for the latest availability information and additional product content details.

**TBD:** The Pb-Free/Green conversion plan has not been defined.

**Pb-Free (RoHS):** TI's terms "Lead-Free" or "Pb-Free" mean semiconductor products that are compatible with the current RoHS requirements for all 6 substances, including the requirement that lead not exceed 0.1% by weight in homogeneous materials. Where designed to be soldered at high temperatures, TI Pb-Free products are suitable for use in specified lead-free processes.

**Pb-Free (RoHS Exempt):** This component has a RoHS exemption for either 1) lead-based flip-chip solder bumps used between the die and package, or 2) lead-based die adhesive used between the die and leadframe. The component is otherwise considered Pb-Free (RoHS compatible) as defined above.

**Green (RoHS & no Sb/Br):** TI defines "Green" to mean Pb-Free (RoHS compatible), and free of Bromine (Br) and Antimony (Sb) based flame retardants (Br or Sb do not exceed 0.1% by weight in homogeneous material)

(3) MSL, Peak Temp. - The Moisture Sensitivity Level rating according to the JEDEC industry standard classifications, and peak solder temperature.

(4) There may be additional marking, which relates to the logo, the lot trace code information, or the environmental category on the device.

(5) Multiple Device Markings will be inside parentheses. Only one Device Marking contained in parentheses and separated by a "~" will appear on a device. If a line is indented then it is a continuation of the previous line and the two combined represent the entire Device Marking for that device.

(6) Lead/Ball Finish - Orderable Devices may have multiple material finish options. Finish options are separated by a vertical ruled line. Lead/Ball Finish values may wrap to two lines if the finish value exceeds the maximum column width.

**Important Information and Disclaimer:** The information provided on this page represents TI's knowledge and belief as of the date that it is provided. TI bases its knowledge and belief on information provided by third parties, and makes no representation or warranty as to the accuracy of such information. Efforts are underway to better integrate information from third parties. TI has taken and continues to take reasonable steps to provide representative and accurate information but may not have conducted destructive testing or chemical analysis on incoming materials and chemicals. TI and TI suppliers consider certain information to be proprietary, and thus CAS numbers and other limited information may not be available for release.

In no event shall TI's liability arising out of such information exceed the total purchase price of the TI part(s) at issue in this document sold by TI to Customer on an annual basis.

**TAPE AND REEL INFORMATION**

**QUADRANT ASSIGNMENTS FOR PIN 1 ORIENTATION IN TAPE**


\*All dimensions are nominal

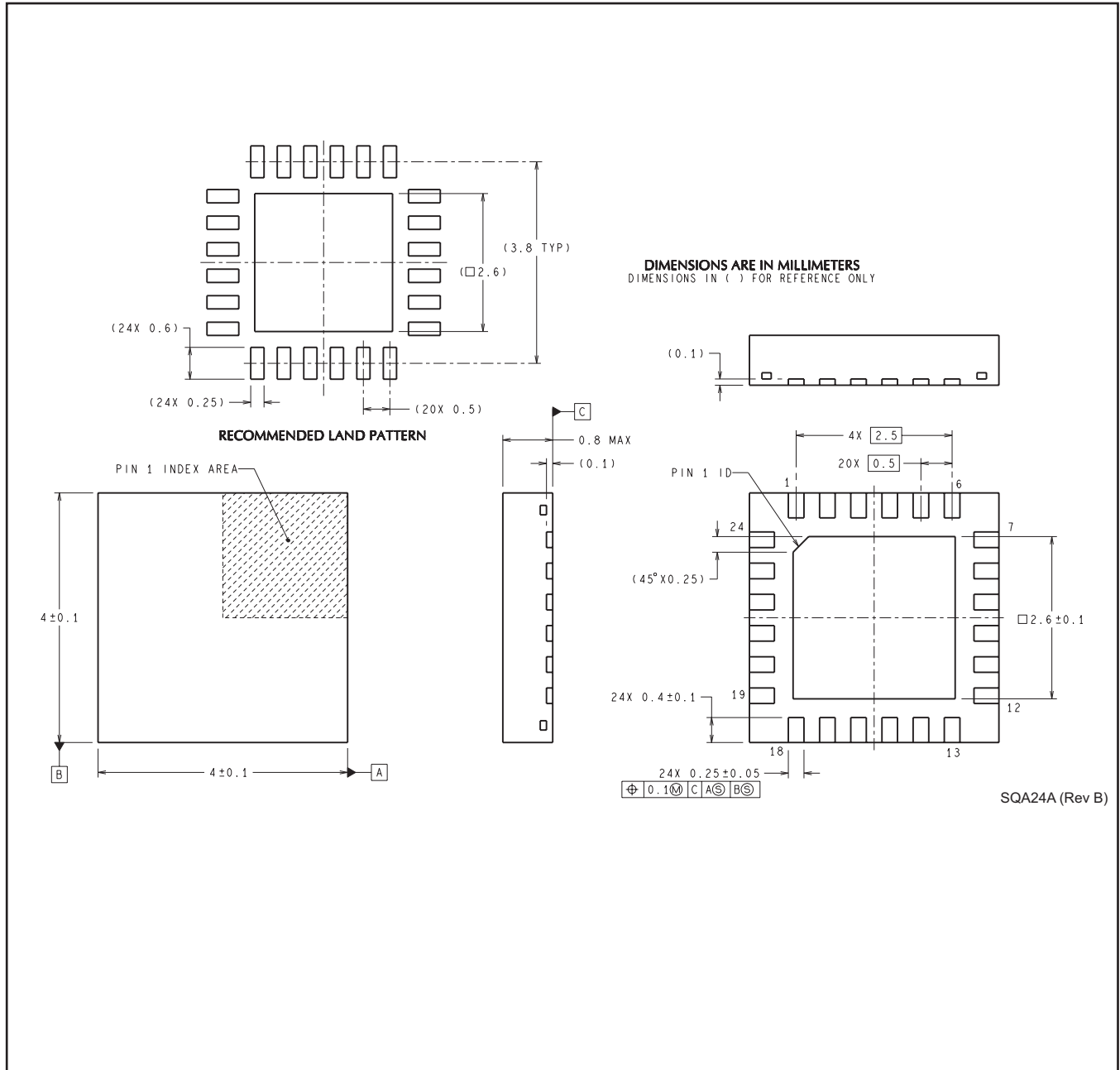
| Device             | Package Type | Package Drawing | Pins | SPQ  | Reel Diameter (mm) | Reel Width W1 (mm) | A0 (mm) | B0 (mm) | K0 (mm) | P1 (mm) | W (mm) | Pin1 Quadrant |
|--------------------|--------------|-----------------|------|------|--------------------|--------------------|---------|---------|---------|---------|--------|---------------|
| DS100BR111SQ/NOPB  | WQFN         | RTW             | 24   | 1000 | 178.0              | 12.4               | 4.3     | 4.3     | 1.3     | 8.0     | 12.0   | Q1            |
| DS100BR111SQE/NOPB | WQFN         | RTW             | 24   | 250  | 178.0              | 12.4               | 4.3     | 4.3     | 1.3     | 8.0     | 12.0   | Q1            |

**TAPE AND REEL BOX DIMENSIONS**


\*All dimensions are nominal

| Device             | Package Type | Package Drawing | Pins | SPQ  | Length (mm) | Width (mm) | Height (mm) |
|--------------------|--------------|-----------------|------|------|-------------|------------|-------------|
| DS100BR111SQ/NOPB  | WQFN         | RTW             | 24   | 1000 | 213.0       | 191.0      | 55.0        |
| DS100BR111SQE/NOPB | WQFN         | RTW             | 24   | 250  | 213.0       | 191.0      | 55.0        |

RTW0024A



## IMPORTANT NOTICE

Texas Instruments Incorporated and its subsidiaries (TI) reserve the right to make corrections, enhancements, improvements and other changes to its semiconductor products and services per JESD46, latest issue, and to discontinue any product or service per JESD48, latest issue. Buyers should obtain the latest relevant information before placing orders and should verify that such information is current and complete. All semiconductor products (also referred to herein as "components") are sold subject to TI's terms and conditions of sale supplied at the time of order acknowledgment.

TI warrants performance of its components to the specifications applicable at the time of sale, in accordance with the warranty in TI's terms and conditions of sale of semiconductor products. Testing and other quality control techniques are used to the extent TI deems necessary to support this warranty. Except where mandated by applicable law, testing of all parameters of each component is not necessarily performed.

TI assumes no liability for applications assistance or the design of Buyers' products. Buyers are responsible for their products and applications using TI components. To minimize the risks associated with Buyers' products and applications, Buyers should provide adequate design and operating safeguards.

TI does not warrant or represent that any license, either express or implied, is granted under any patent right, copyright, mask work right, or other intellectual property right relating to any combination, machine, or process in which TI components or services are used. Information published by TI regarding third-party products or services does not constitute a license to use such products or services or a warranty or endorsement thereof. Use of such information may require a license from a third party under the patents or other intellectual property of the third party, or a license from TI under the patents or other intellectual property of TI.

Reproduction of significant portions of TI information in TI data books or data sheets is permissible only if reproduction is without alteration and is accompanied by all associated warranties, conditions, limitations, and notices. TI is not responsible or liable for such altered documentation. Information of third parties may be subject to additional restrictions.

Resale of TI components or services with statements different from or beyond the parameters stated by TI for that component or service voids all express and any implied warranties for the associated TI component or service and is an unfair and deceptive business practice. TI is not responsible or liable for any such statements.

Buyer acknowledges and agrees that it is solely responsible for compliance with all legal, regulatory and safety-related requirements concerning its products, and any use of TI components in its applications, notwithstanding any applications-related information or support that may be provided by TI. Buyer represents and agrees that it has all the necessary expertise to create and implement safeguards which anticipate dangerous consequences of failures, monitor failures and their consequences, lessen the likelihood of failures that might cause harm and take appropriate remedial actions. Buyer will fully indemnify TI and its representatives against any damages arising out of the use of any TI components in safety-critical applications.

In some cases, TI components may be promoted specifically to facilitate safety-related applications. With such components, TI's goal is to help enable customers to design and create their own end-product solutions that meet applicable functional safety standards and requirements. Nonetheless, such components are subject to these terms.

No TI components are authorized for use in FDA Class III (or similar life-critical medical equipment) unless authorized officers of the parties have executed a special agreement specifically governing such use.

Only those TI components which TI has specifically designated as military grade or "enhanced plastic" are designed and intended for use in military/aerospace applications or environments. Buyer acknowledges and agrees that any military or aerospace use of TI components which have **not** been so designated is solely at the Buyer's risk, and that Buyer is solely responsible for compliance with all legal and regulatory requirements in connection with such use.

TI has specifically designated certain components as meeting ISO/TS16949 requirements, mainly for automotive use. In any case of use of non-designated products, TI will not be responsible for any failure to meet ISO/TS16949.

### Products

|                              |                                                                                      |
|------------------------------|--------------------------------------------------------------------------------------|
| Audio                        | <a href="http://www.ti.com/audio">www.ti.com/audio</a>                               |
| Amplifiers                   | <a href="http://amplifier.ti.com">amplifier.ti.com</a>                               |
| Data Converters              | <a href="http://dataconverter.ti.com">dataconverter.ti.com</a>                       |
| DLP® Products                | <a href="http://www.dlp.com">www.dlp.com</a>                                         |
| DSP                          | <a href="http://dsp.ti.com">dsp.ti.com</a>                                           |
| Clocks and Timers            | <a href="http://www.ti.com/clocks">www.ti.com/clocks</a>                             |
| Interface                    | <a href="http://interface.ti.com">interface.ti.com</a>                               |
| Logic                        | <a href="http://logic.ti.com">logic.ti.com</a>                                       |
| Power Mgmt                   | <a href="http://power.ti.com">power.ti.com</a>                                       |
| Microcontrollers             | <a href="http://microcontroller.ti.com">microcontroller.ti.com</a>                   |
| RFID                         | <a href="http://www.ti-rfid.com">www.ti-rfid.com</a>                                 |
| OMAP Applications Processors | <a href="http://www.ti.com/omap">www.ti.com/omap</a>                                 |
| Wireless Connectivity        | <a href="http://www.ti.com/wirelessconnectivity">www.ti.com/wirelessconnectivity</a> |

### Applications

|                               |                                                                                          |
|-------------------------------|------------------------------------------------------------------------------------------|
| Automotive and Transportation | <a href="http://www.ti.com/automotive">www.ti.com/automotive</a>                         |
| Communications and Telecom    | <a href="http://www.ti.com/communications">www.ti.com/communications</a>                 |
| Computers and Peripherals     | <a href="http://www.ti.com/computers">www.ti.com/computers</a>                           |
| Consumer Electronics          | <a href="http://www.ti.com/consumer-apps">www.ti.com/consumer-apps</a>                   |
| Energy and Lighting           | <a href="http://www.ti.com/energy">www.ti.com/energy</a>                                 |
| Industrial                    | <a href="http://www.ti.com/industrial">www.ti.com/industrial</a>                         |
| Medical                       | <a href="http://www.ti.com/medical">www.ti.com/medical</a>                               |
| Security                      | <a href="http://www.ti.com/security">www.ti.com/security</a>                             |
| Space, Avionics and Defense   | <a href="http://www.ti.com/space-avionics-defense">www.ti.com/space-avionics-defense</a> |
| Video and Imaging             | <a href="http://www.ti.com/video">www.ti.com/video</a>                                   |

### TI E2E Community

[e2e.ti.com](http://e2e.ti.com)

# AMEYA360

## Components Supply Platform

Authorized Distribution Brand :



Website :

Welcome to visit [www.ameya360.com](http://www.ameya360.com)

Contact Us :

➤ Address :

401 Building No.5, JiuGe Business Center, Lane 2301, Yishan Rd  
Minhang District, Shanghai , China

➤ Sales :

Direct +86 (21) 6401-6692

Email [amall@ameya360.com](mailto:amall@ameya360.com)

QQ 800077892

Skype [ameyasales1](#) [ameyasales2](#)

➤ Customer Service :

Email [service@ameya360.com](mailto:service@ameya360.com)

➤ Partnership :

Tel +86 (21) 64016692-8333

Email [mkt@ameya360.com](mailto:mkt@ameya360.com)