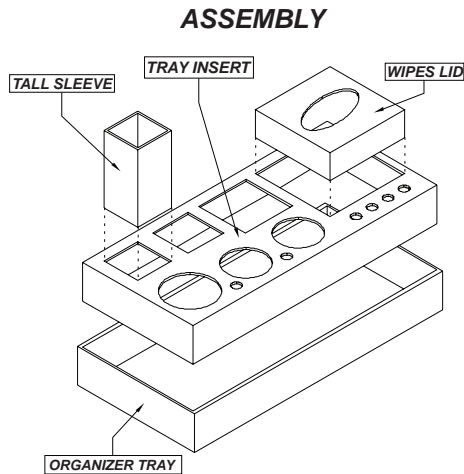


## 47553 - Corrugated



### ASSEMBLY INSTRUCTIONS:

1. FOLD UP ORGANIZER TRAY
2. FOLD UP THE INSERT & PLACE IN TRAY
3. FOLD UP THE TALL SLEEVE AND WIPES LID AND PLACE IT INTO THE ORGANIZER INSERT AS SHOWN



### Description

- Increases productivity by organizing and standardizing bottle and tool placement at the workstation
- Aesthetically improves the appearance of the work area
- Includes openings for bottles, wipes and hand tools
- Includes ESD protective swab holder insert and cover for wipes
- OD Dimension: 16-7/8" x 8-1/8" x 2-3/8"
- Easy assembly, no need for tape, glue, or staples
- Marked with ESD Protective symbol per ANSI/ESD S541
- Custom configurations available
- Static Dissipative surface  $1 \times 10^6$  to  $< 1 \times 10^9$  ohms per ANSI/ESD STM11.11
- Impregnated Corrugated material – superior material with greater durability than painted material
- Made from 100% Recycled material and is 100% recyclable.
- Made in the United States of America

[47553](#) Universal Organizer, Corrugated

A smaller organizer is available. Click [HERE](#) for item 47555.

"It should be understood that any object, item, material or person could be a source of static electricity in the work environment. Removal of unnecessary nonconductors, replacing nonconductive materials with dissipative or conductive materials and grounding all conductors are the principle methods of controlling static electricity in the workplace, regardless of the activity." [ESD Handbook ESD TR20.20 section 2.4 Sources of Static Electricity]



Made in the  
United States of America

Specifications and procedures subject to change without notice.

### Universal Organizer, Corrugated

PROTEKTIVE PAK  
13250 MONTE VISTA AVENUE, CHINO, CA 91710  
PHONE (909) 627-2578  
[ProtektivePak.com](http://ProtektivePak.com)

DRAWING  
NUMBER  
47553

DATE:  
March  
2013

**PROTEKTIVE PAK**  
BURIED SHIELDING LAYER

# AMEYA360

Components Supply Platform

Authorized Distribution Brand :



Website :

Welcome to visit [www.ameya360.com](http://www.ameya360.com)

Contact Us :

➤ Address :

401 Building No.5, JiuGe Business Center, Lane 2301, Yishan Rd  
Minhang District, Shanghai , China

➤ Sales :

Direct +86 (21) 6401-6692

Email [amall@ameya360.com](mailto:amall@ameya360.com)

QQ 800077892

Skype [ameyasales1](#) [ameyasales2](#)

➤ Customer Service :

Email [service@ameya360.com](mailto:service@ameya360.com)

➤ Partnership :

Tel +86 (21) 64016692-8333

Email [mkt@ameya360.com](mailto:mkt@ameya360.com)