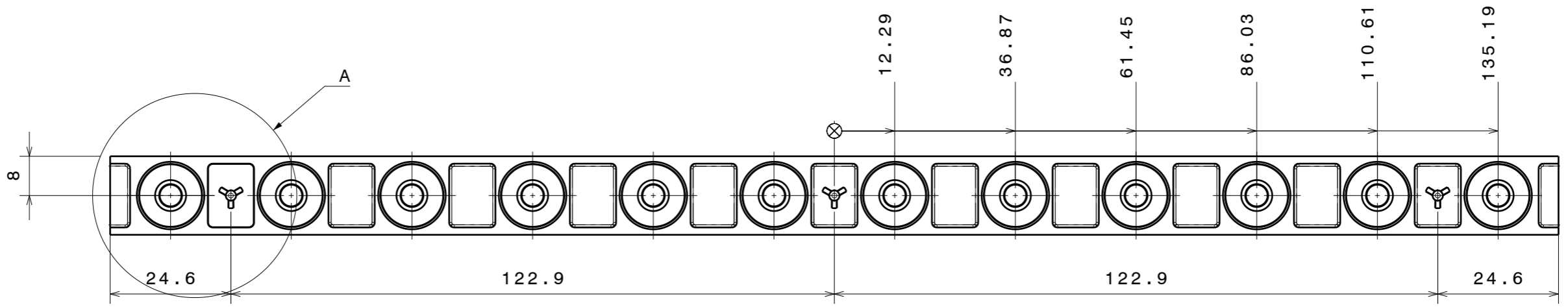
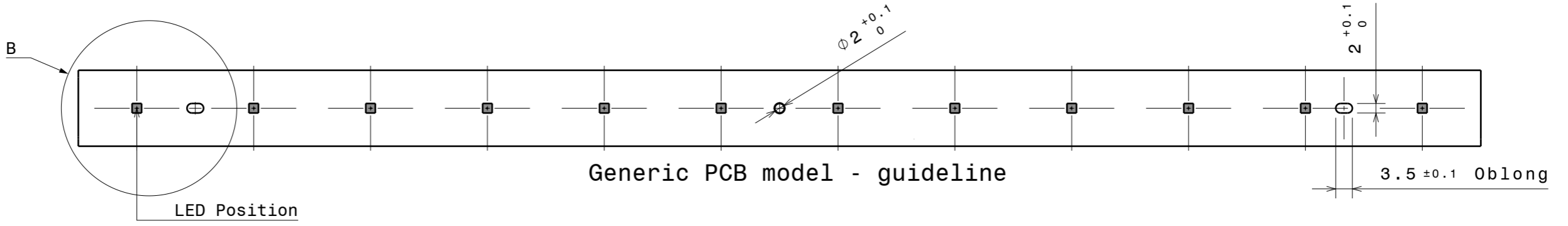
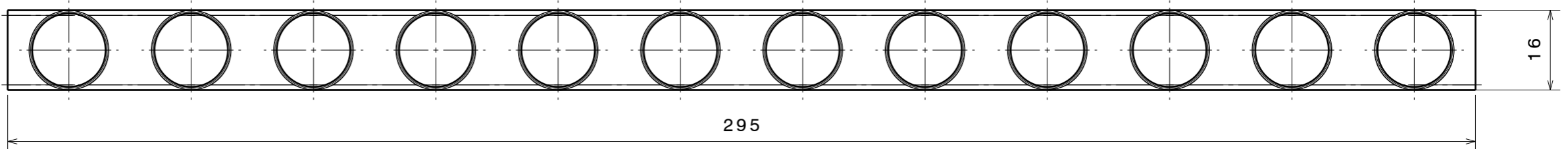
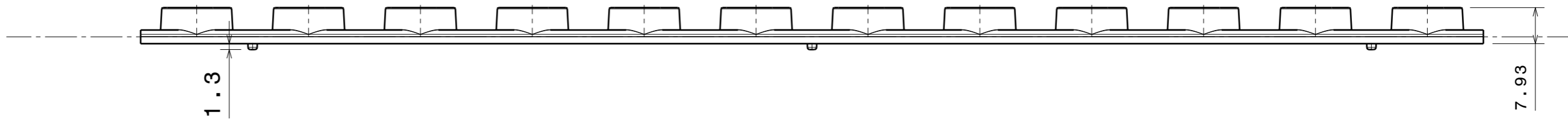
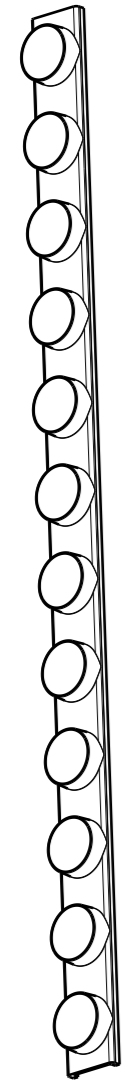


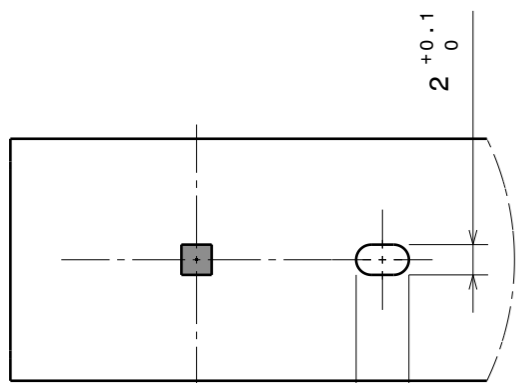
H G F E D C B A



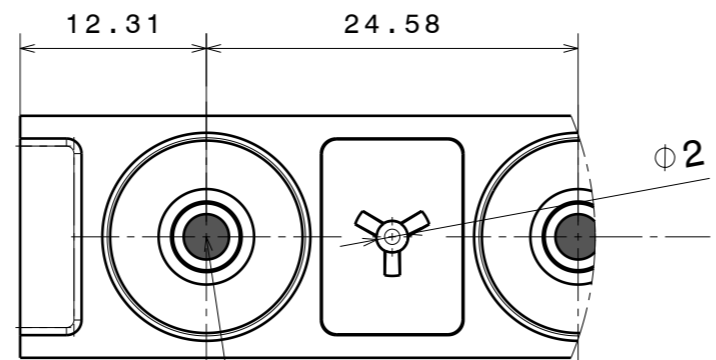
Isometric view
Scale: 1:2



Generic PCB model - guideline



Detail B
Scale: 2:1



Detail A
Scale: 2:1

Tolerances if not otherwise shown
Linear measures: class C
according to DIN ISO 2768-1
Form and position: class L
according to DIN ISO 2768-2

THIRD ANGLE PROJECTION:

This drawing is the property of LEDiL Oy. It may not be reproduced, copied or communicated without a written agreement with LEDiL Oy."

| INDEX | PART NO | DESCRIPTION | MATERIAL | COLOUR |
|-------|-----------|-------------|----------|--------|
| 1 | Datasheet | VANESSA | PMMA | Clear |

LEDiL LediL Oy
Salorankatu 10
FIN 24240 SALO
Finland

DRAWING TITLE
Datasheet_VANESSA

SIZE PART NUMBER
A3 -

SCALE 1:1 WEIGHT (g) SHEET 1/1

H G B A

Authorized Distribution Brand :



Website :

Welcome to visit www.ameya360.com

Contact Us :

➤ Address :

401 Building No.5, JiuGe Business Center, Lane 2301, Yishan Rd
Minhang District, Shanghai , China

➤ Sales :

Direct +86 (21) 6401-6692

Email amall@ameya360.com

QQ 800077892

Skype ameyasales1 ameyasales2

➤ Customer Service :

Email service@ameya360.com

➤ Partnership :

Tel +86 (21) 64016692-8333

Email mkt@ameya360.com