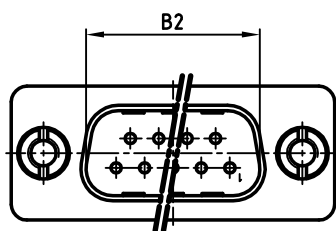
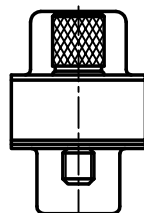
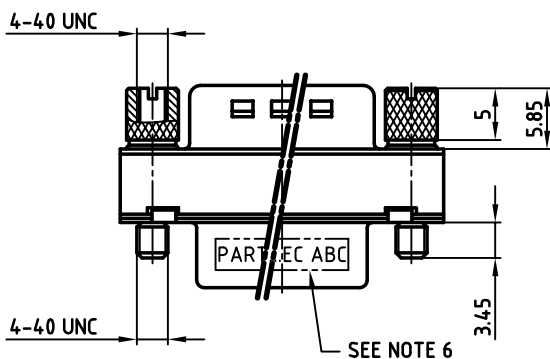
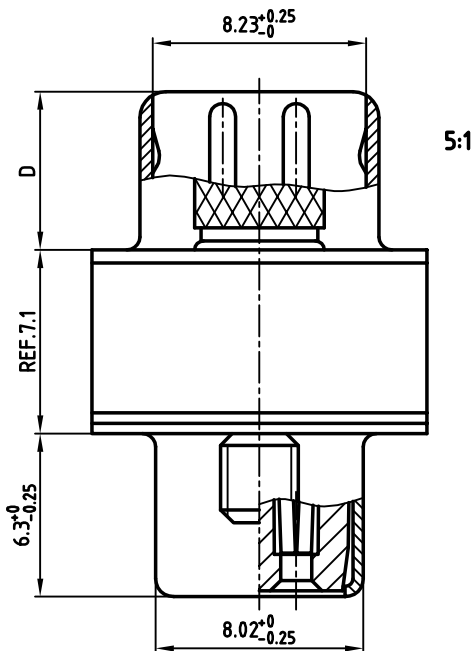
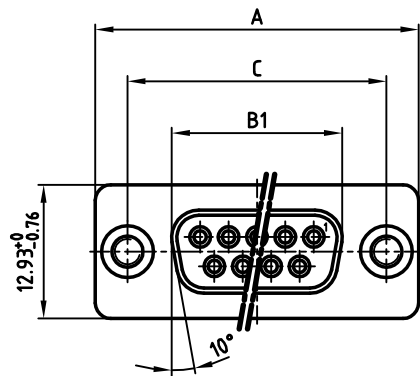


used for: D-SUB



POS.	A <sup>-0.76</sup>	B1 <sup>-0.25</sup>	B2 <sup>+0.25</sup>	C	D <sup>-0.3</sup>	PART NO.
15	39.52	24.79	25.12	33.30 <sup>+0.15</sup> <sub>-0.1</sub>	6.12	163C50019X
25	53.42	38.50	38.84	47.04 <sup>±0.13</sup>	5.99	163C50029X
37	69.70	54.96	55.30	63.50 <sup>±0.13</sup>	5.99	163C50039X

**NOTES:**

- METALSHELLS: STEEL; min. 315µin TIN OVER 40-80µin NICKEL
- INSULATORS: PBTP GF UL 94 V-0, BLACK
- CONTACTS: COPPER ALLOY  
PLATING: 30µin HARD GOLD over min. 50min NICKEL
- ADAPTER SCREW: COPPER ALLOY; NICKEL PLATED
- MAXIMUM TORQUE VALUE FOR THREAD: 6in.LB
- CONNECTOR IS PART MARKED: PART NO. CONEC ABC

Directive 2002/95/EC  
"RoHS"  
Compliant

APPROVAL * FREIGABE * DEBLOCAGE * AUTORIZACION * APPROVAL	APPROVAL * FREIGABE * DEBLOCAGE * AUTORIZACION * APPROVAL
CUSTOMER APPROVAL DATE:	
NAME:	TITLE:
COMPANY NAME:	
APPROVAL * FREIGABE * DEBLOCAGE * AUTORIZACION * APPROVAL	APPROVAL * FREIGABE * DEBLOCAGE * AUTORIZACION * APPROVAL

THIS DRAWING MAY NOT BE COPIED OR REPRODUCED IN ANY WAY, AND MAY NOT BE PASSED ON TO A THIRD PARTY, WITHOUT WRITTEN PERMISSION.  
OWNERSHIP AND COPYRIGHT OF CONEC GmbH  
DO NOT ALTER CAD DRAWING BY HAND

rev.	description	date	name

tolerance	dim. in mm
scale:	2:1 (5:1)
material:	SEE NOTES
title:	<b>D-SUB ADAPTER</b> 15-37pos. Plug / Socket
dwg no:	AutoCAD 2006 <b>16K2A897</b>
part no:	<b>SEE TABLE</b>

title: <b>D-SUB ADAPTER</b> 15-37pos. Plug / Socket	DIN-A 3 sh: 1/1
dwg no:	AutoCAD 2006
part no:	<b>SEE TABLE</b>



# AMEYA360

## Components Supply Platform

### Authorized Distribution Brand :



### Website :

Welcome to visit [www.ameya360.com](http://www.ameya360.com)

### Contact Us :

#### ➤ Address :

401 Building No.5, JiuGe Business Center, Lane 2301, Yishan Rd  
Minhang District, Shanghai , China

#### ➤ Sales :

Direct +86 (21) 6401-6692

Email [amall@ameya360.com](mailto:amall@ameya360.com)

QQ 800077892

Skype [ameyasales1](#) [ameyasales2](#)

#### ➤ Customer Service :

Email [service@ameya360.com](mailto:service@ameya360.com)

#### ➤ Partnership :

Tel +86 (21) 64016692-8333

Email [mkt@ameya360.com](mailto:mkt@ameya360.com)