

7x7mm Miniature Rotary DIP Switch

Features

Optimized Mechanical Features

- Robust metal bracket design
- Standard through hole and surface mount gull-wing terminal configurations
- Binary Coded Decimal, Hexadecimal code and Single pole output
- Clockwise or counterclockwise rotation

Optimized Contact System

- Robust wiping contact
- Precise detents

Materials

- Gold plated beryllium copper contacts
- Tin coated terminals for better solderability
- High temperature materials (UL94V-0)
- RoHS compliant



Electrical and Mechanical Specifications

Switch Options

4,10,16 positions

Output

Binary Coded Decimal
Hexadecimal Code
Single Pole

Switch Contact Resistance

100 milliohms maximum

Insulation Resistance

1000 Mohms minimum between
insulated terminals

Dielectric Strength

250 VAC for 1 minute between
adjacent terminals

Maximum Rating

100 mA, 50 VDC

Minimum Load

1 μ A 20m VDC

Operating Temperature

- 40°C to +85°C

Rotational Torque

40~200 gf-cm

Actuation Life

10,000 steps

Allowable Solder Time

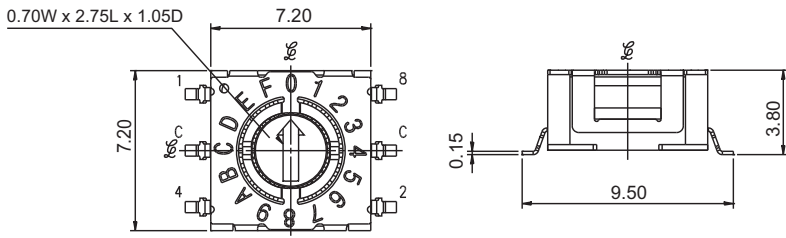
Reflow soldering up to 5 seconds at 260°C max.
Wave soldering up to 10 seconds at 260°C max.
Manual soldering up to 4 seconds at 350°C max.

Packaging

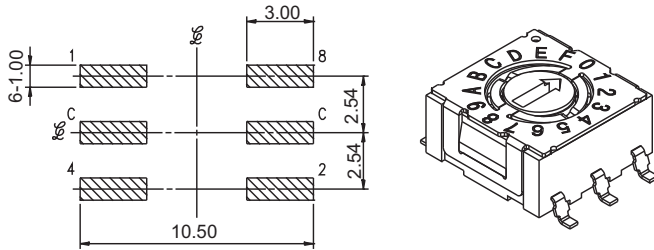
Standard : Anti-static tube packaging
Optional : Tape and reel packaging

CTS SERIES 220AM - Surface Mount Gull Wing

CODE TABLE



PCB LAYOUT



		CODE			
		0	1	2	3
POSITIONS	0	●			
	1		●		
	2			●	
	3				●

Dot indicates terminal to common connection. All switches are continuous rotation.

4 Position - Single pole

		CODE			
		1	2	4	8
POSITIONS	0				
	1	●			
	2		●		
	3			●	
	4				●
	5	●		●	
	6		●	●	
	7	●	●	●	
	8				●
	9	●			●
A		●		●	
B	●			●	
C			●	●	
D	●	●	●	●	
E		●	●	●	
F	●	●	●	●	

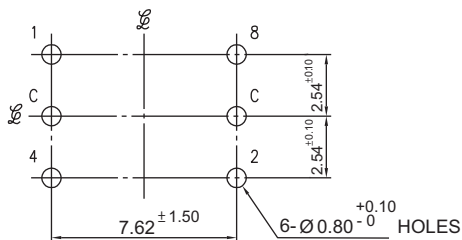
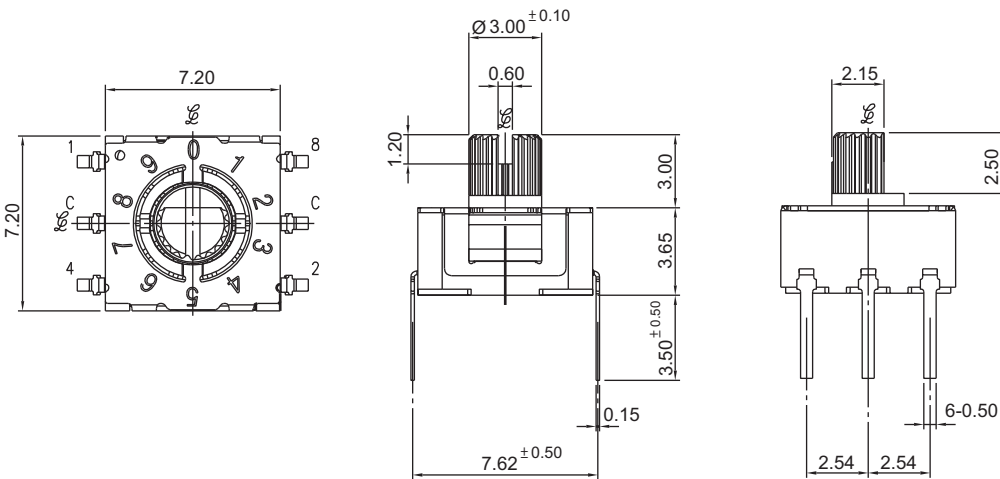
Dot indicates terminal to common connection. All switches are continuous rotation.

10 Position - Numbered 0 through 9
16 Position - Numbered 0 through F

DIMENSION : mm
STANDARD TOLERANCE :
.XX (2 PLACE) : ±0.30

CTS SERIES 220AD - Standard Through Hole

CODE TABLE



		CODE			
		0	1	2	3
POSITIONS	0	●			
	1		●		
	2			●	
	3				●

Dot indicates terminal to common connection. All switches are continuous rotation.

4 Position - Single pole

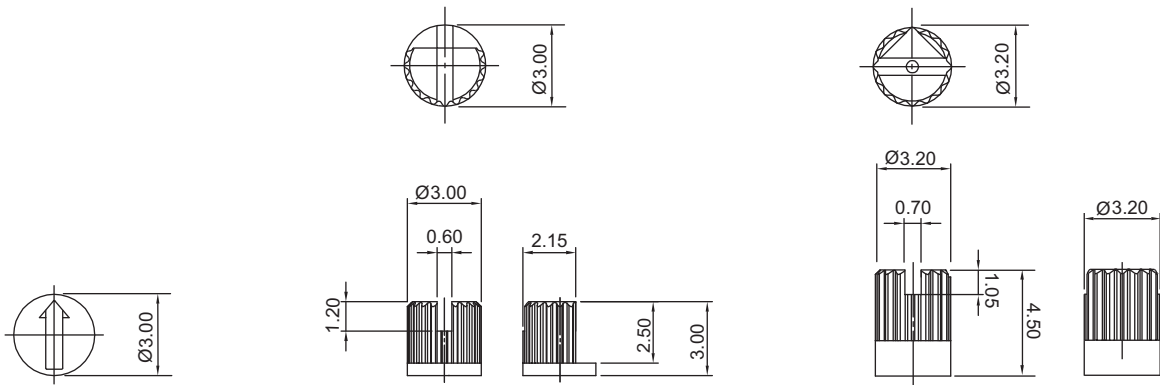
		CODE			
		1	2	4	8
POSITIONS	0				
	1	●			
	2		●		
	3			●	
	4				●
	5	●		●	
	6		●	●	
	7	●	●	●	
	8				●
	9	●			●
A		●		●	
B	●			●	
C			●	●	
D	●	●	●	●	
E		●	●	●	
F	●	●	●	●	

Dot indicates terminal to common connection. All switches are continuous rotation.

10 Position - Numbered 0 through 9
16 Position - Numbered 0 through F

DIMENSION : mm
STANDARD TOLERANCE :
.XX (2 PLACE) : ±0.30

Actuator Options



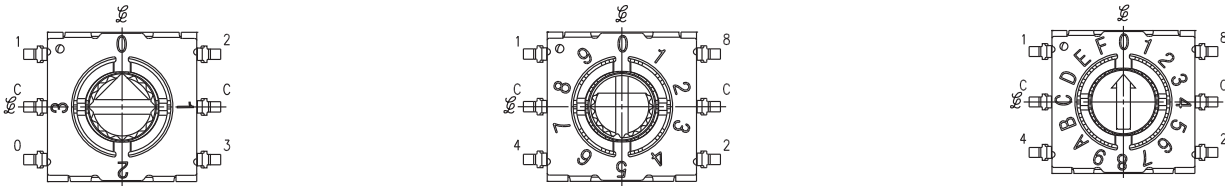
A: FLUSH ARROW ROTOR

B: KNURLED, SLOTTED, FLATTED SHAFT

C: KNURLED, SLOTTED SHAFT

DIMENSION : mm
STANDARD TOLERANCE :
.XX (2 PLACE) : ± 0.30

Position Options

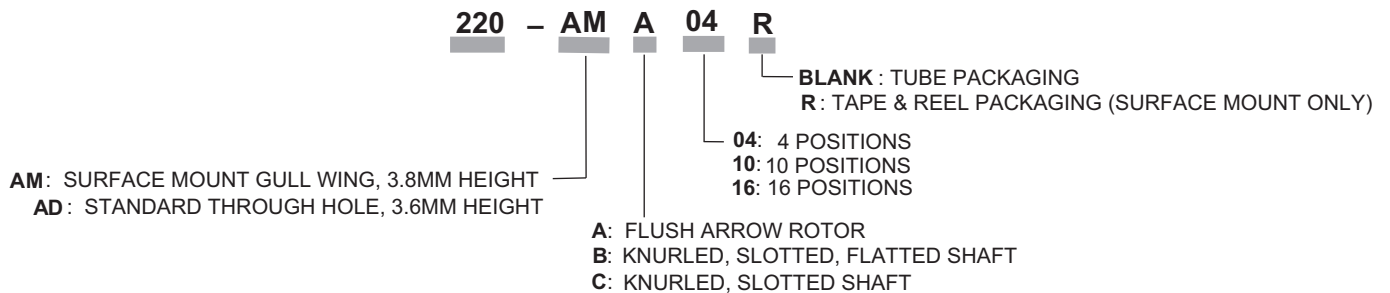


04: 4 POSITIONS

10: 10 POSITIONS

16: 16 POSITIONS

Ordering Information



AMEYA360

Components Supply Platform

Authorized Distribution Brand :



Website :

Welcome to visit www.ameya360.com

Contact Us :

➤ Address :

401 Building No.5, JiuGe Business Center, Lane 2301, Yishan Rd
Minhang District, Shanghai , China

➤ Sales :

Direct +86 (21) 6401-6692

Email amall@ameya360.com

QQ 800077892

Skype [ameyasales1](#) [ameyasales2](#)

➤ Customer Service :

Email service@ameya360.com

➤ Partnership :

Tel +86 (21) 64016692-8333

Email mkt@ameya360.com